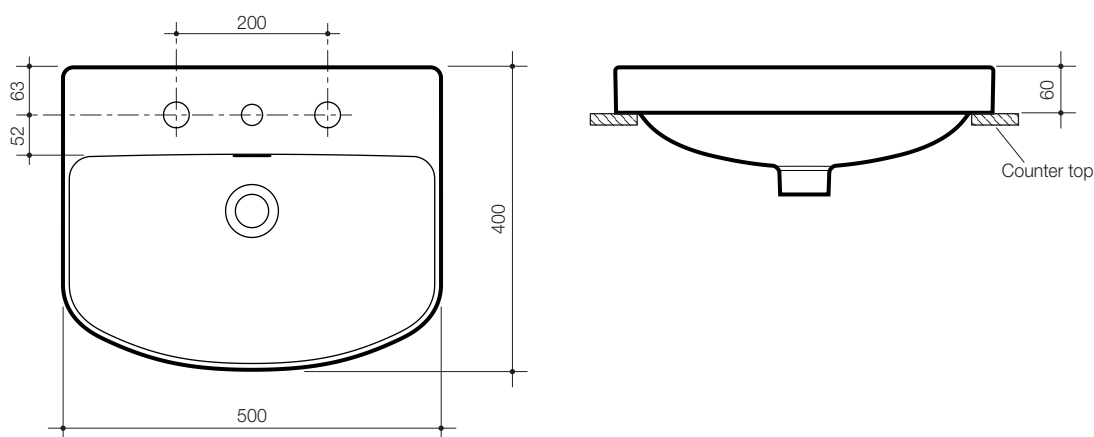




FORMA INSET BASIN 500MM



SPECIFICATIONS

Recommended use	Domestic, hotel and commercial.
Material	Ceramic
Tap holes	0 tap holes, 1 tap hole and 3 tap hole options.
Waste outlet	Chrome flush fitting waste and white plug (supplied); suitable for a 40mm trap connection. Alternative waste options are available - Chrome grate waste and white plug, vandal resistant flush fitting plug and chrome waste, covered plug and waste and vandal resistant covered chrome plug and waste (sold separately).
Bowl capacity	5.7 litres to overflow
Overflow	Overflow available only. Designed for maximum tap flow rate of 15 litres/minute.
Fixing	The underside of the basin rim must be sealed to the counter top with an acetic cured silicone sealant. Epoxy type glues must not be used. The basin is supplied with a template which must be used for the counter top cut-out.
Colour availability	White
Tapware	Sold separately



To see the complete FORMA range go to www.reece.com.au/bathrooms

CLEANING RECOMMENDATIONS

This bathroom product should not be cleaned with abrasive materials eg. steel wool/scourers. Do not use any corrosive or abrasive cleaning agents containing acids or scouring agents. Bleaches can also discolour products and therefore should not be used. Damage caused by any improper treatment is not covered by the product warranty - refer to Warranty Conditions.



FORMA INSET BASIN 500MM

INSTALLATION INSTRUCTIONS

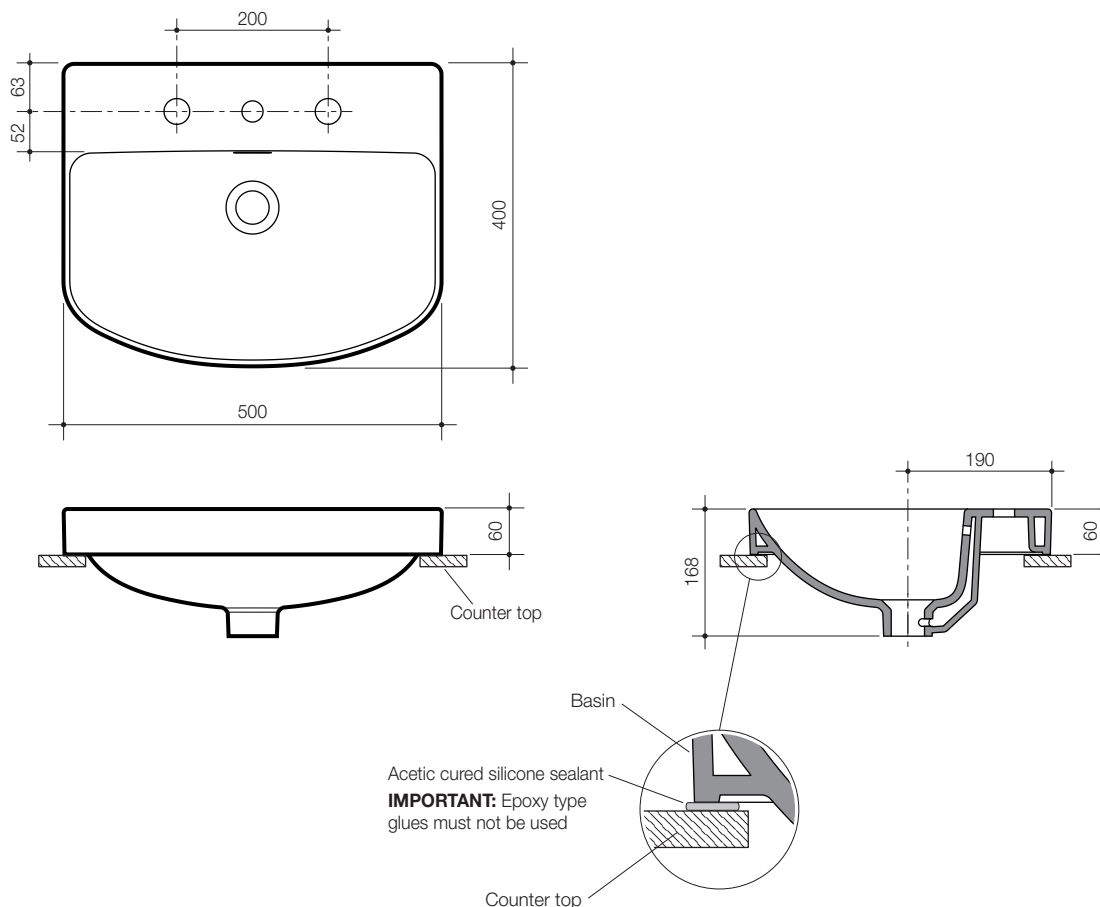
The underside of the basin rim must be sealed to the counter top with an acetic cured silicone sealant. Epoxy type glues must not be used. The basin is supplied with a template which must be used for the counter top cut-out.

1. Position template over countertop.
2. Attach template cut-out guide to countertop with adhesive tape or otherwise transfer cut-out line to countertop.
3. Drill Ø20mm holes and use as jigsaw starter.
4. Clean underside of the sealing rim and fitting face of basin that comes into contact with the countertop to ensure both are free of dust, dirt and grease.
5. Apply a layer of acetic cured silicone sealant around the sealing rim and fitting face of the basin.

IMPORTANT: Do not use epoxy sealants.

6. Bed the basin on the countertop.
7. Connect waste assembly to the trap.
8. Clean excess silicone sealant off around basin.

IMPORTANT: Use only acetic cured silicone sealant. Epoxy type glues must not be used.



Plumbers, please ensure a copy of the installation instructions is left with the end user for future reference