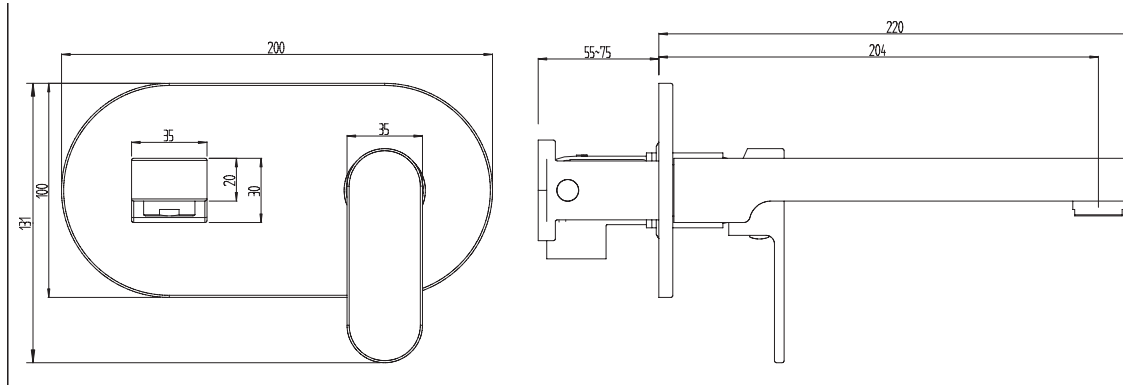


# SOOTHE WALL MIXER SET



Dimensions are nominal measurements only.

## SPECIFICATIONS

<b>Recommended use</b>	Domestic, hotel and commercial
<b>Colours</b>	Chrome or Matte Black
<b>Pressure rating</b>	Maximum continuous operating pressure 1000kPa.  For best performance and longer life we recommend 150-500kPa.  Hot and cold water inlet pressure should be equal.
<b>Temperature rating</b>	Maximum continuous working temperature 80°
<b>WELS</b>	Basin Outlet Stars 4, Flow Rate 7.5 L/min
<b>Standards</b>	AS/NZS 3718



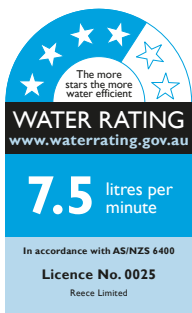
To see the complete Mizu range go to [www.reece.com.au/bathrooms](http://www.reece.com.au/bathrooms)

## CLEANING RECOMMENDATIONS

We recommend the use of soapy water or approved cleaners

This product should not be cleaned with abrasive materials.

Damage caused by any improper treatment is not covered by the product warranty - refer to Warranty Conditions.



OR  
Unrated for wall bath mixer sets



**Disclaimer:** Products in this specification manual must by regulation be installed by licensed and registered trade people. The manufacturer/distributor reserves the right to vary specifications or delete models from their range without prior notification. Dimensions are nominal measurements only. Dimensions and set-outs listed are correct at time of publication however the manufacturer/distributor takes no responsibility for printing errors.  
Published 23/04/2021

