



Laufen Living Saphirkeramik Counter Basin 600 x 340mm White

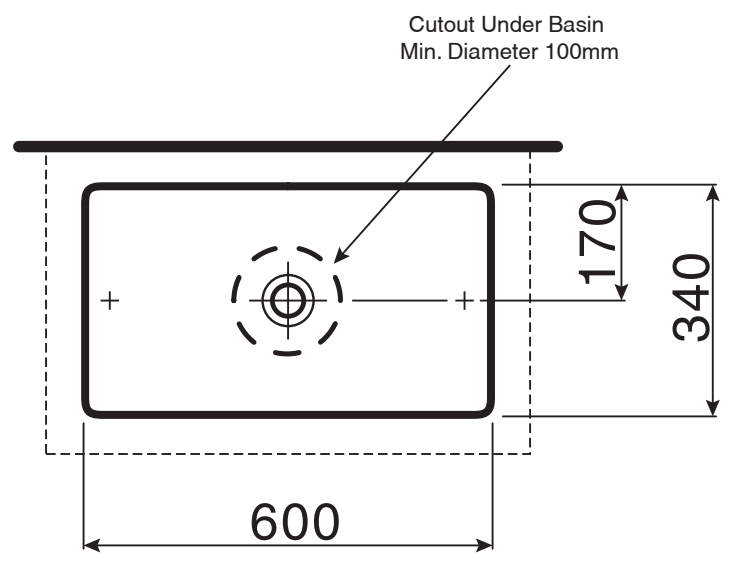
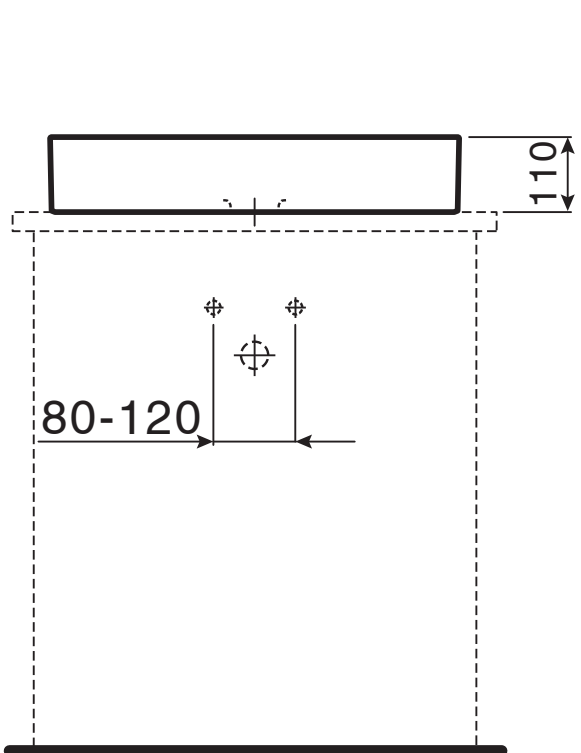
SPECIFICATIONS

Recommended Use	Domestic, Hotel & Commercial
Material	Saphirkeramik
Colour	White
Bowl Capacity	14.1 Litres
Weight	9kg
Fixing	Bench Mounted with Flexible Sealant
Taphole Configuration	No Taphole
Overflow Configuration	No Overflow
Waste Size	32x40mm
Plug & Waste	Sold Separately
Tapware	Sold Separately

WARRANTY

Warranty - Domestic Use	15 Years
Spare Parts & Labour	12 Months

Please refer to Warranty Page for full Terms and Conditions



Dimensions are nominal measurements only.

Disclaimer: Products in this specification manual must by regulation be installed by licensed and registered trade people. The manufacturer/distributor reserves the right to vary specifications or delete models from their range without prior notification. Dimensions are nominal measurements only. Dimensions and set-outs listed are correct at time of publication however the manufacturer/distributor takes no responsibility for printing errors.
Published 06/04/2018

To see the complete Laufen range go to www.reece.com.au/bathrooms

