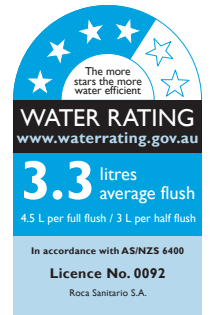
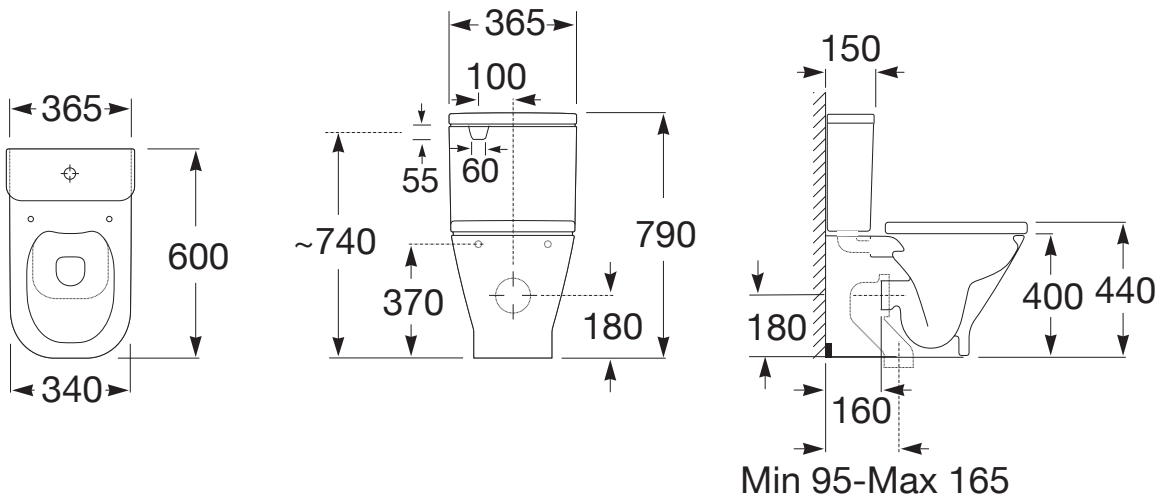




The Gap Rimless Close Coupled Back to Wall Back Inlet Toilet Suite Soft Close Quick Release Seat White (4*)

SPECIFICATIONS	
Recommended Use	Domestic, Hotel & Commercial
Material	Vitreous China
Colour	White
Weight of Pan	30 kg
Weight of Cistern	11 kg
Water Inlet Position	Back Inlet
Inlet Valve Pressure Rating	500kPa
Pan Fixing	Pan requires to be fitted to a noggin inside the wall (Pan Wall fixing kit supplied)
Toilet Seat	Soft Close Quick Release
Rim Configuration	Rimless
Outlet Type	Universal S & P
S Trap Setout	95-165mm
P Trap Setout	180mm
WARRANTY	
Warranty - Domestic Use	15 Years
Spare Parts & Labour	12 Months
<i>Please refer to Warranty Page for full Terms and Conditions</i>	



Dimensions are nominal measurements only.

Disclaimer: Products in this specification manual must by regulation be installed by licensed and registered trade people. The manufacturer/distributor reserves the right to vary specifications or delete models from their range without prior notification. Dimensions are nominal measurements only. Dimensions and set-outs listed are correct at time of publication however the manufacturer/distributor takes no responsibility for printing errors.

Published 05/11/2021

To see the complete Roca range go to www.reece.com.au/bathrooms

