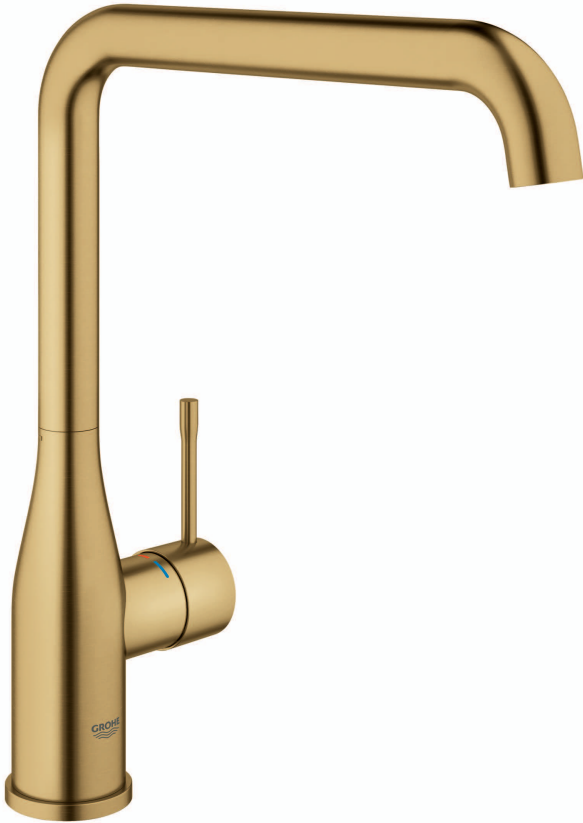


ESSENCE NEW  
SINK MIXER  
MODEL #30372GN0

Pure Freude  
an Wasser



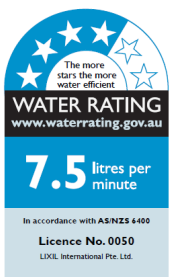
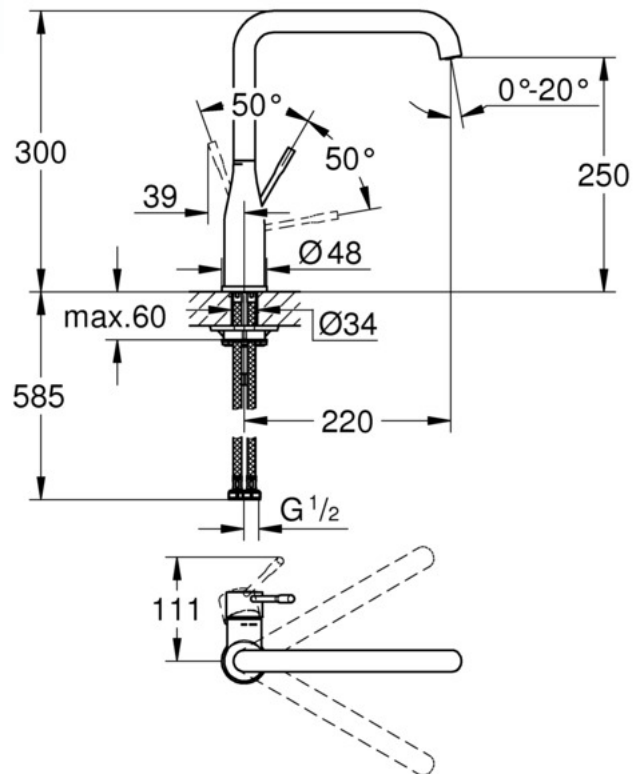
Product Specifications

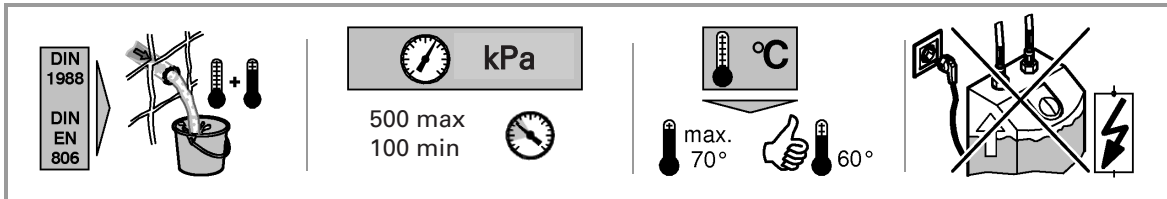
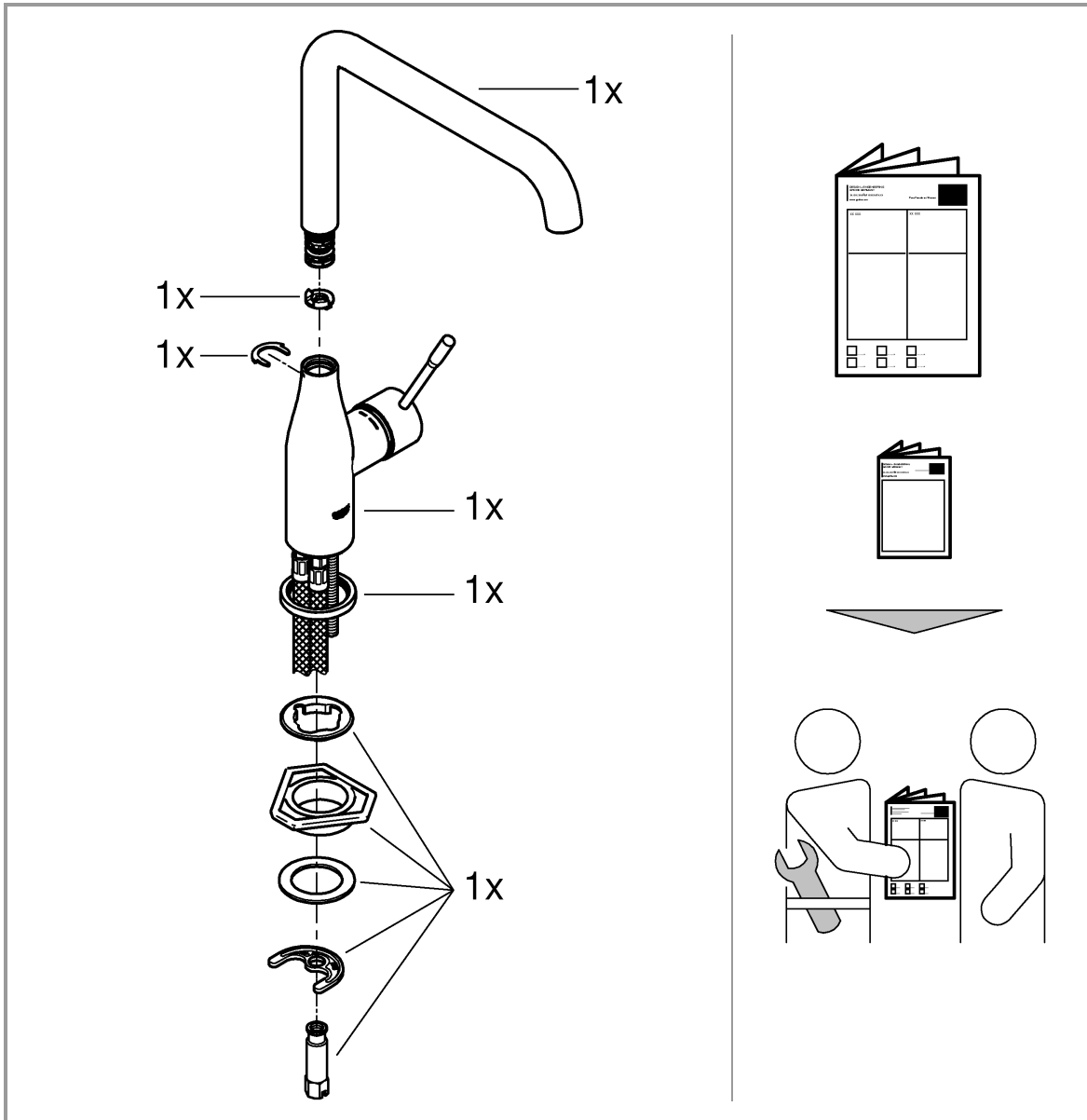


Product description

**Essence**

Single-lever sink mixer 1/2"  
High spout  
Single hole installation  
**GROHE StarLight** finish Brushed Cool Sunrise PVD  
finish **GROHE SilkMove** 28 mm ceramic cartridge  
Swivel tubular spout  
Adjustable swivel area 0° / 150° / 360°Flexible  
connection hoses  
Rapid installation system  
Integrated temperature limiter  
Min. recommended pressure 100 kPa





## Installation Instructions

Flush piping system prior and after installation of fitting thoroughly!

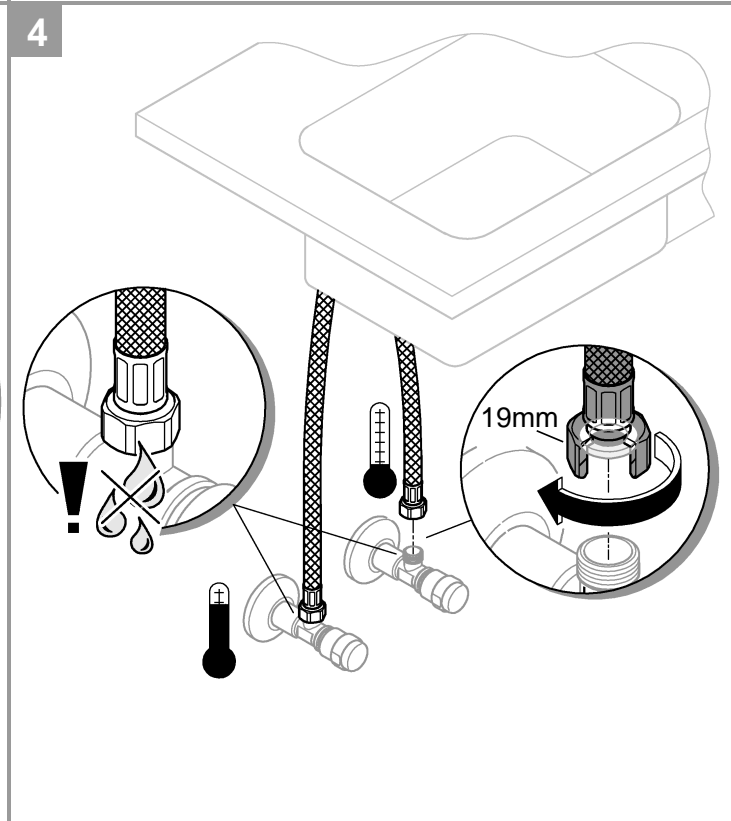
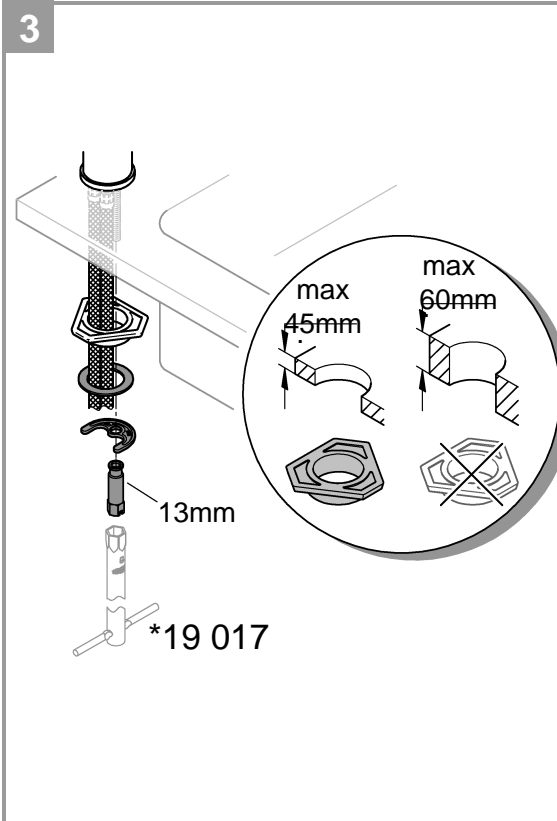
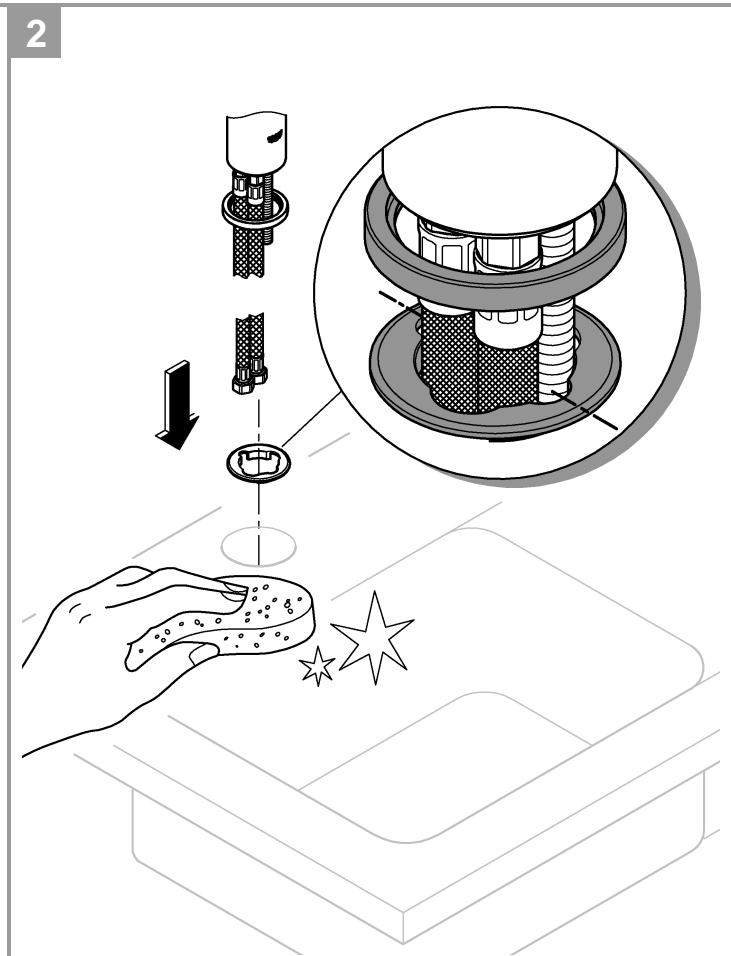
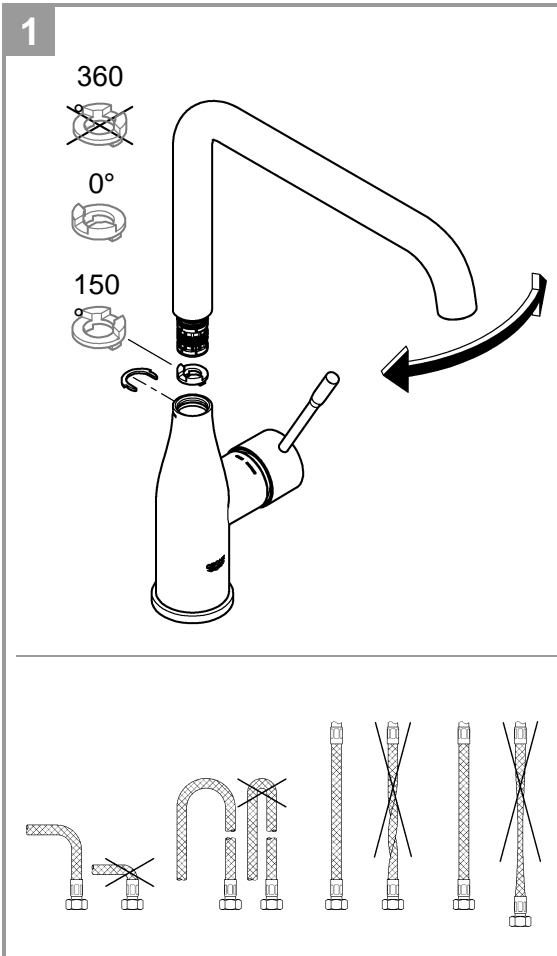
This product must be installed in conformance with local codes e.g. AS/NZS 3500 series of standard!

Minimum working pressure 100kPa, recommended working 500kPa, Maximum temperature 70 degrees, recommended temperature 60 degrees.

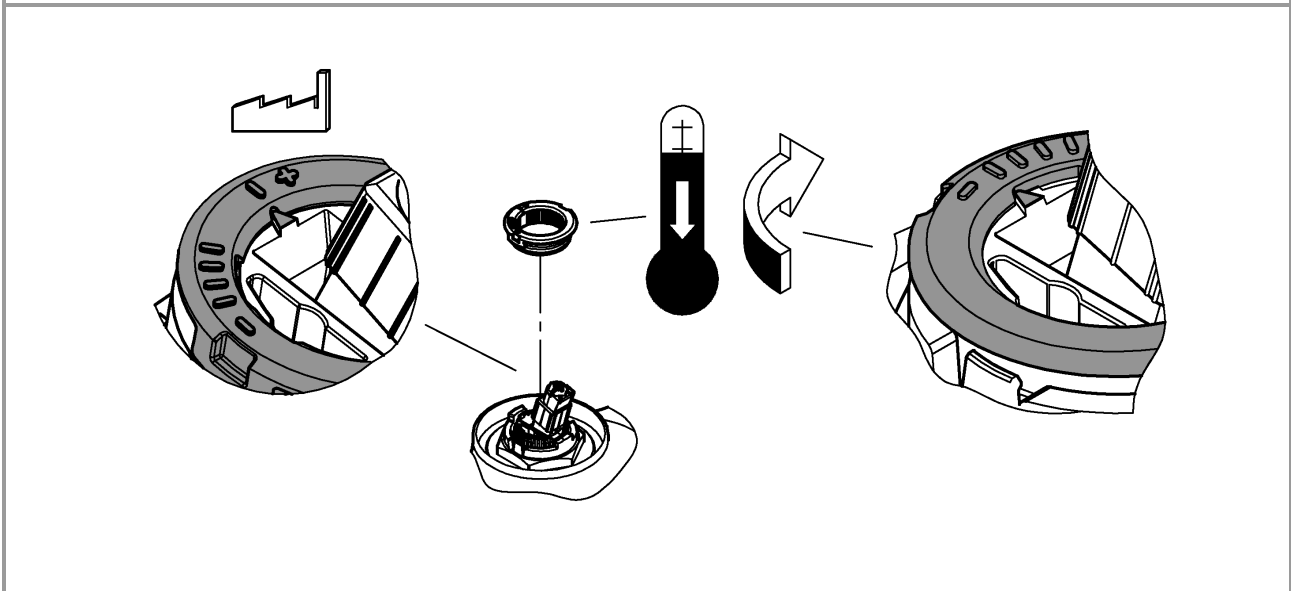
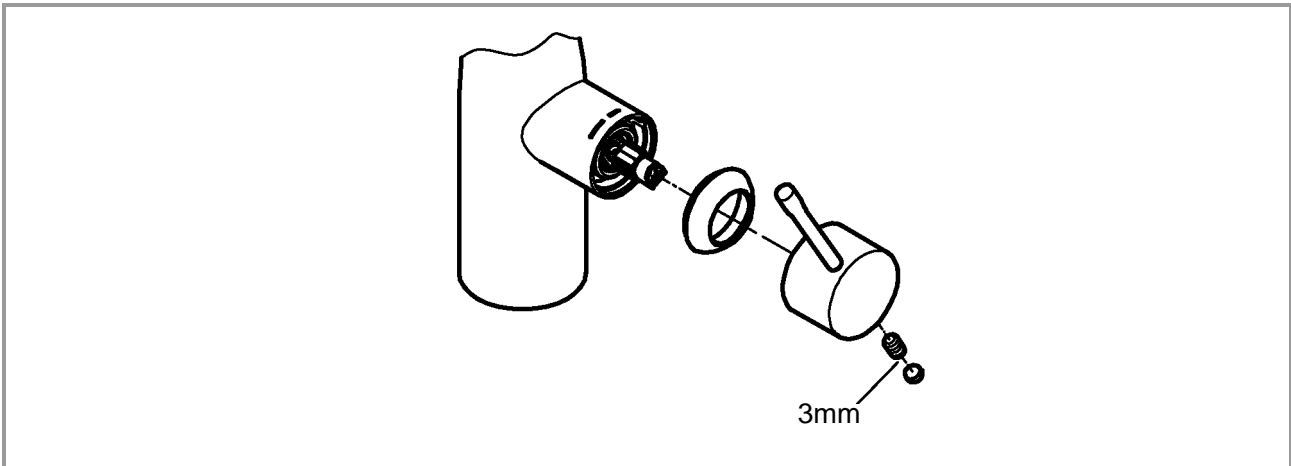
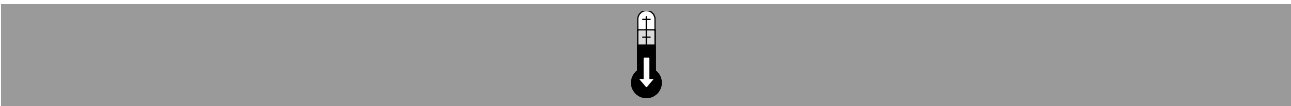
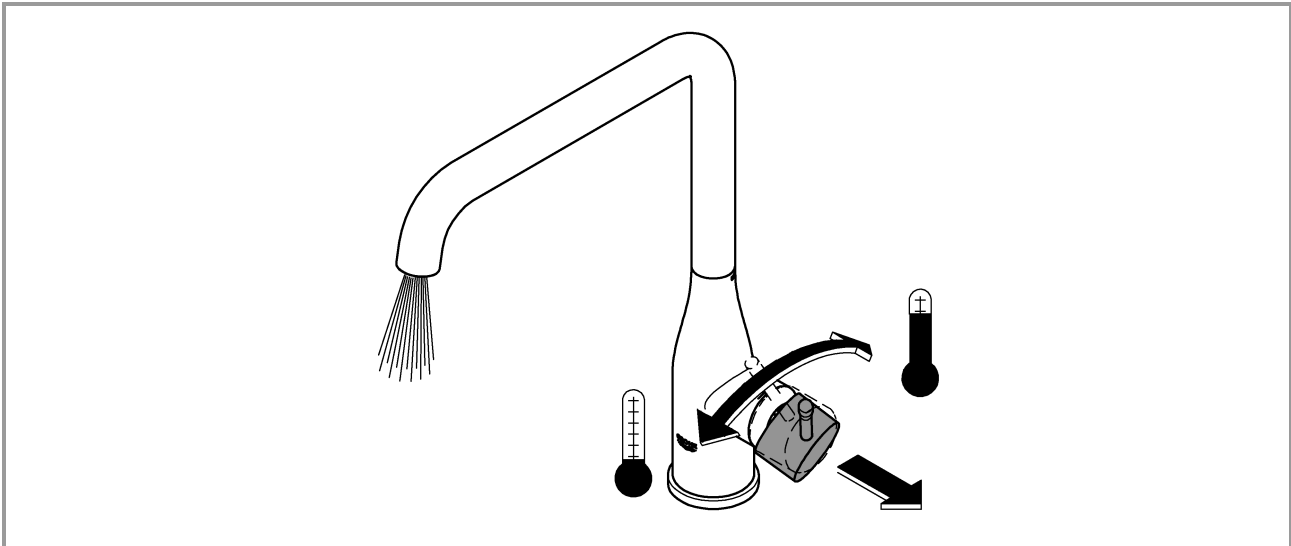
Open cold and hot water supply and check connections for leakage!

## Care

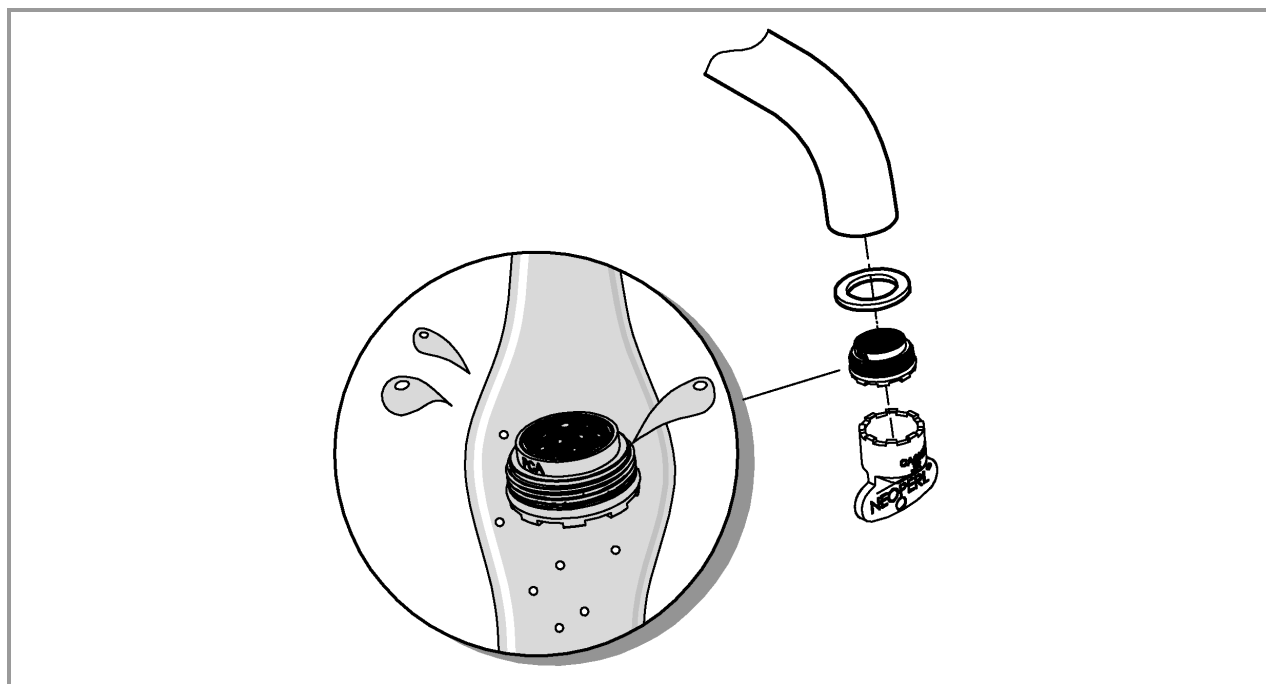
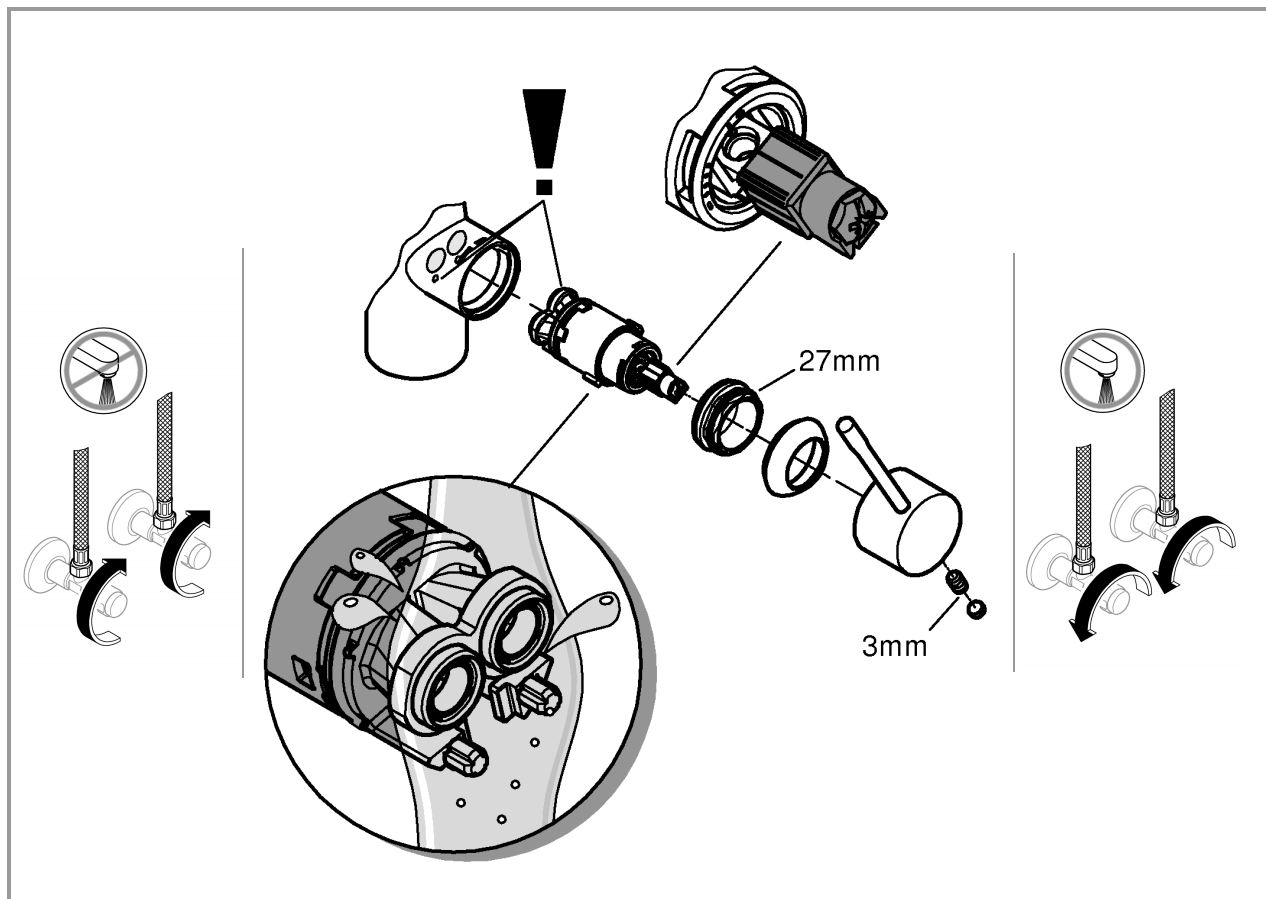
For directions on the care of this fitting, please refer to the accompanying care instructions.



Installation instructions

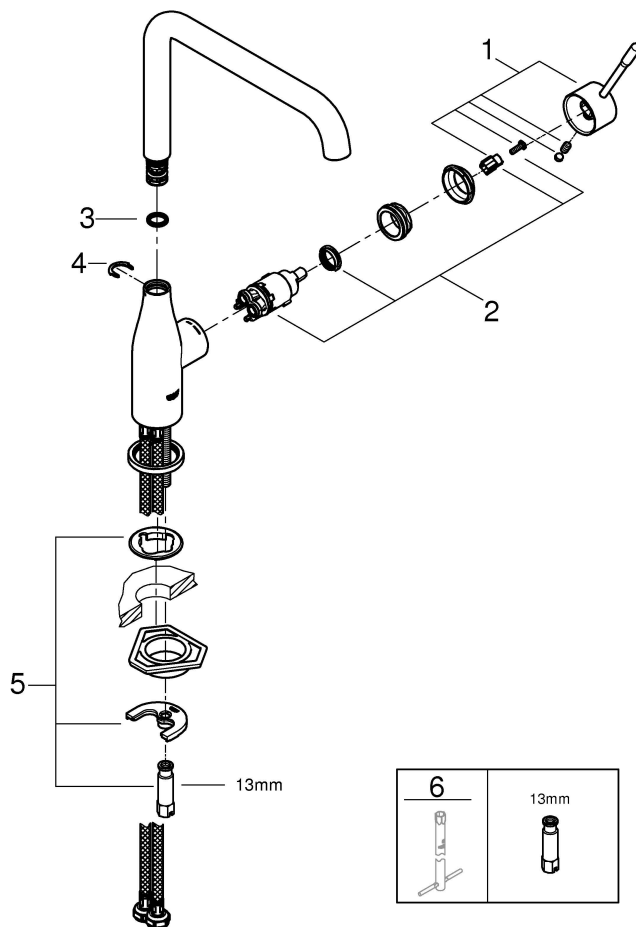


Installation instructions



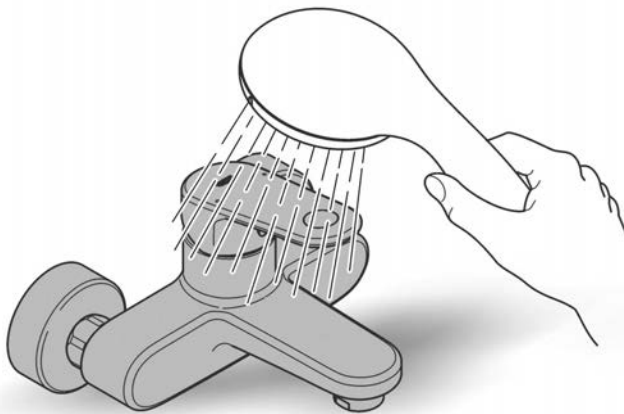
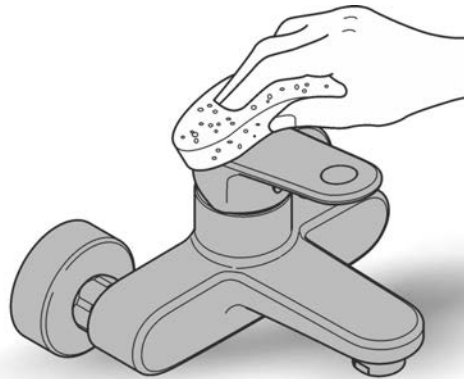
Spare Parts

Pos.-nr.	Product Description	Order-nr.	Units per package
1	Lever	46927000	1
2	Cartridge	46580000	1
3	O ring	01285000	1
4	Safety ring	48266000	1
5	Fixing Kit	46671000	1
	Optional Extra -		
	Socket spanner	19017000	0

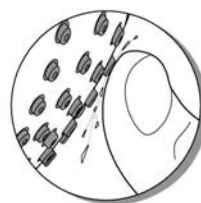




48166000



SpeedClean



Pure Freude  
an Wasser

**GROHE**  


**D**

+49 571 3989 333  
impressum@grohe.de

**A**

+43 1 68060  
info-at@grohe.com

**AUS**

+1300 054 945  
grohe\_australia@lixil.com

**B**

+32 16 230660  
info.be@grohe.com

**BG**

+359 2 9719959  
grohe-bulgaria@grohe.com

**CAU**

+99 412 497 09 74  
info-az@grohe.com

**CDN**

+1 888 6447643  
info@grohe.ca

**CH**

+41 448777300  
info@grohe.ch

**CN**

+86 21 63758878

**CY**

+357 22 465200  
info@grome.com

**CZ**

+420 277 004 190  
grohe-cz@grohe.com

**DK**

+45 44 656800  
grohe@grohe.dk

**E**

+34 93 3368850  
grohe@grohe.es

**EST**

+372 6616354  
grohe@grohe.ee

**F**

+33 1 49972900  
marketing-fr@grohe.com

**FIN**

+358 10 8201100  
teknocalor@teknocalor.fi

**GB**

+44 871 200 3414  
info-uk@grohe.com

**GR**

+30 210 2712908  
nsapountzis@ath.forthnet.gr

**H**

+36 1 2388045  
info-hu@grohe.com

**HK**

+852 2969 7067  
info@grohe.hk

**I**

+39 2 959401  
info-it@grohe.com

**IND**

+91 124 4933000  
customercare.in@grohe.com

**IS**

+354 515 4000  
jonst@byko.is

**J**

+81 3 32989730  
info@grohe.co.jp

**KZ**

+7 727 311 07 39  
info-cac@grohe.com

**LT**

+372 6616354  
grohe@grohe.ee

**LV**

+372 6616354  
grohe@grohe.ee

**MAL**

+1 800 80 6570  
info-singapore@grohe.com

**N**

+47 22 072070  
grohe@grohe.no

**NL**

+31 79 3680133  
vragen-nl@grohe.com

**NZ**

+64 9 573 0490  
sales@robertson.co.nz

**P**

+351 234 529620  
commercial-pt@grohe.com

**PL**

+48 22 5432640  
biuro@grohe.com.pl

**RI**

+62 21 2358 4751  
info-singapore@grohe.com

**RO**

+40 21 2125050  
info-ro@grohe.com

**ROK**

+82 2 559 0790  
info-singapore@grohe.com

**RP**

+63 2 8041617

**RUS**

+7 495 9819510  
info@grohe.ru

**S**

+46 771 141314  
grohe@grohe.se

**SGP**

+65 6 7385585  
info-singapore@grohe.com

**SK**

+420 277 004 190  
grohe-cz@grohe.com

**T**

+66 2610 3685  
info-singapore@grohe.com

**TR**

+90 216 441 23 70  
GroheTurkey@grome.com

**UA**

+38 44 5375273  
info-ua@grohe.com

**USA**

+1 800 4447643  
us-customerservice@grohe.com

**VN**

+84 8 5413 6840  
info-singapore@grohe.com

**AL** **BIH** **HR** **KS**

**ME** **MK** **SLO** **SRB**

+385 1 2911470  
adria-hr@grohe.com

**Eastern Mediterranean,  
Middle East - Africa  
Area Sales Office:**

+357 22 465200  
info@grome.com

**IR** **OM** **UAE** **YEM**

+971 4 3318070  
grohedubai@grome.com

**Far East Area Sales Office:**

+65 6311 3600  
info@grohe.com.sg