

# SEMI FRAMED ADJUSTABLE FRONT & RETURN PIVOT DOOR FOR SHOWER BASE



To see the complete CUSTOM GLASS range go to [www.reece.com.au/bathrooms](http://www.reece.com.au/bathrooms)

## SPECIFICATIONS

<b>Recommended use</b>	Domestic, Hotel, and Commercial
<b>Material</b>	Screen-6mm Clear Toughened Glass. Glass Infill- 5mm Clear Toughened Glass. Return Panel -5mm Clear Toughened Glass. Australian Safety Standards Compliant.
<b>Floor Suitability</b>	Shower Base Installation
<b>Door Opening Option</b>	Left or Right
<b>Handle</b>	Standard Knob
<b>Frame &amp; Support Rail Colour</b>	Polished Silver
<b>Optional Extras</b>	1789912 - Installation Charge 1791295 - Shower Screen Removal
<b>Standard Height</b>	1950mm

## SIZE VARIATIONS

Code	SIZE	ADJ FRONT	DOOR SIZE	INFILL GLASS	ADJ RETURN
1790433	820 x 820	760-840	643	180	770-790
1789799	900 x 900	820-900	702	180	850-870
1789800	1000 x 1000	901-980	702	260	950-970
1789802	1200 x 900	1140-1220	702	500	850-870

## CLEANING RECOMMENDATIONS

We recommend the use of soapy water or approved cleaners.

This product should not be cleaned with abrasive materials.

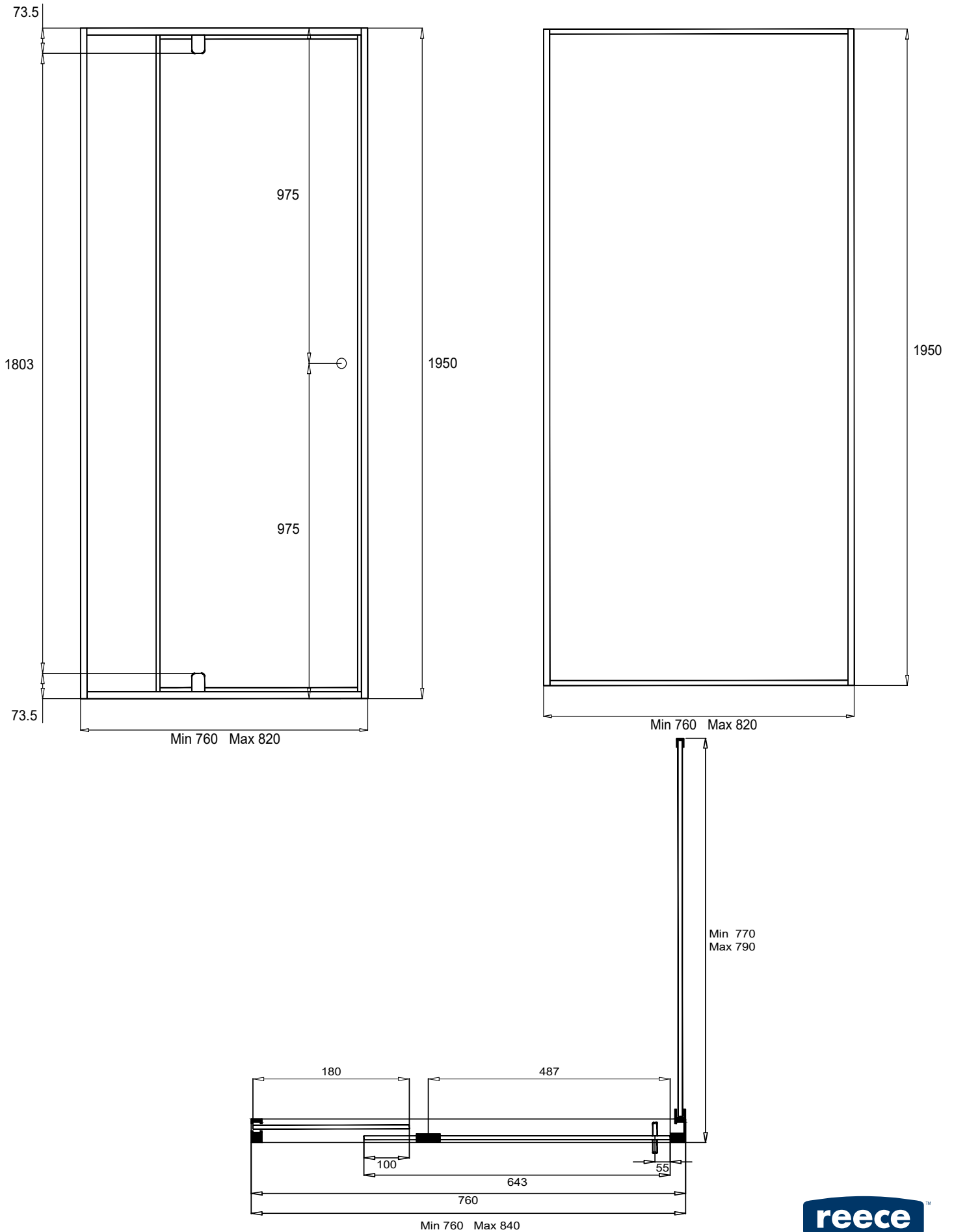
Damage caused by any improper treatment is not covered by the product warranty - refer to Warranty Conditions.

Please refer to detailed Cleaning Instructions on page 19.

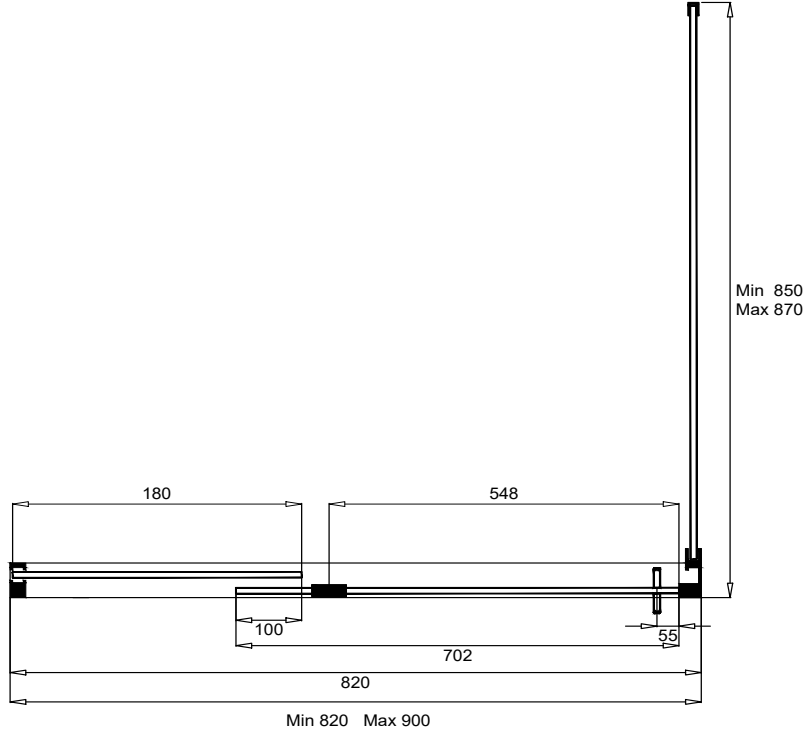
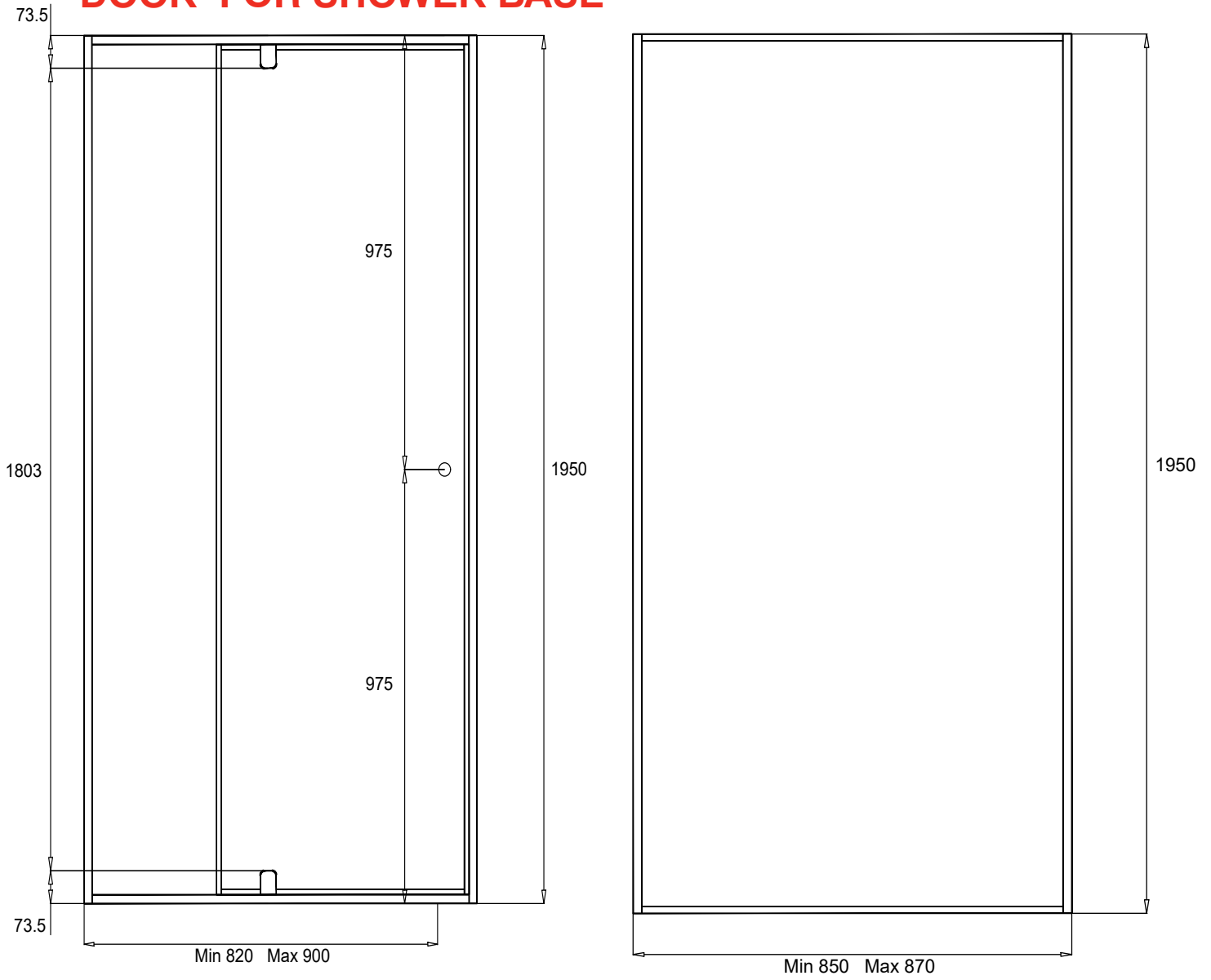


# CREATIVE GLASS

## SEMI FRAMED ADJUSTABLE FRONT & RETURN PIVOT DOOR FOR SHOWER BASE

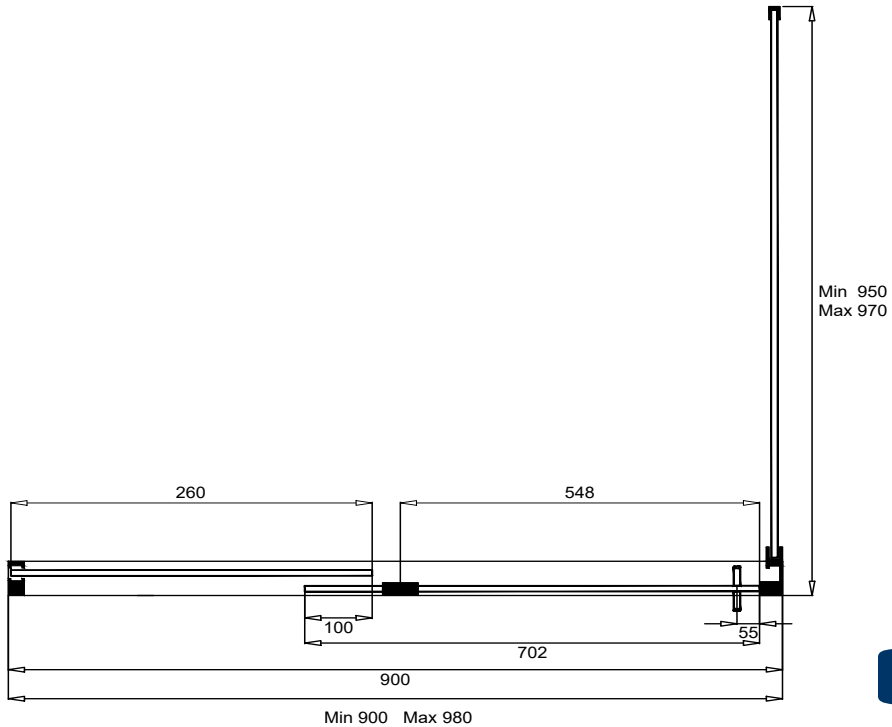
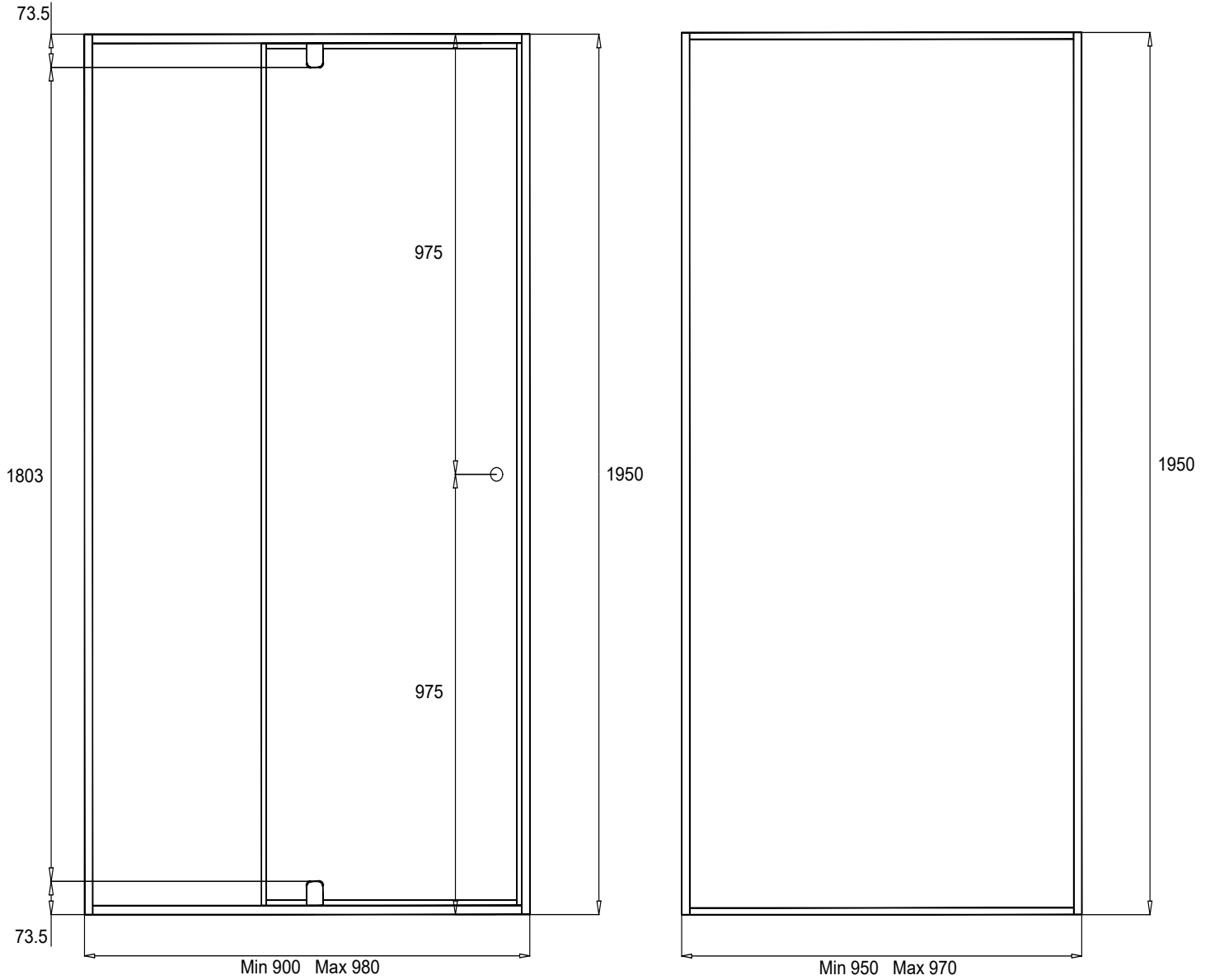


## SEMI FRAMED ADJUSTABLE FRONT & RETURN PIVOT DOOR FOR SHOWER BASE





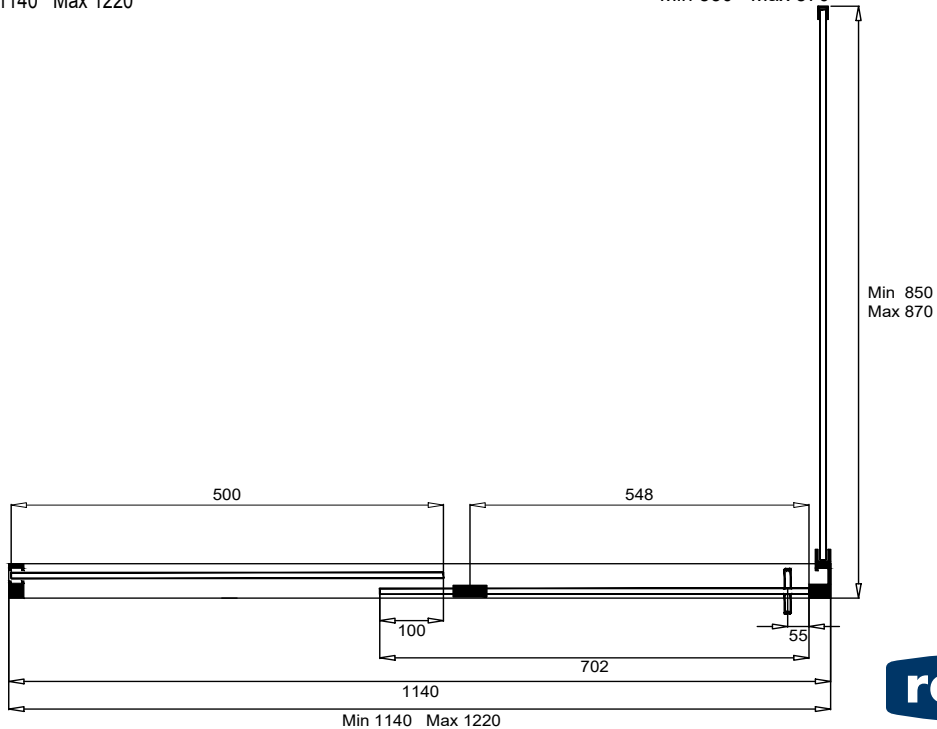
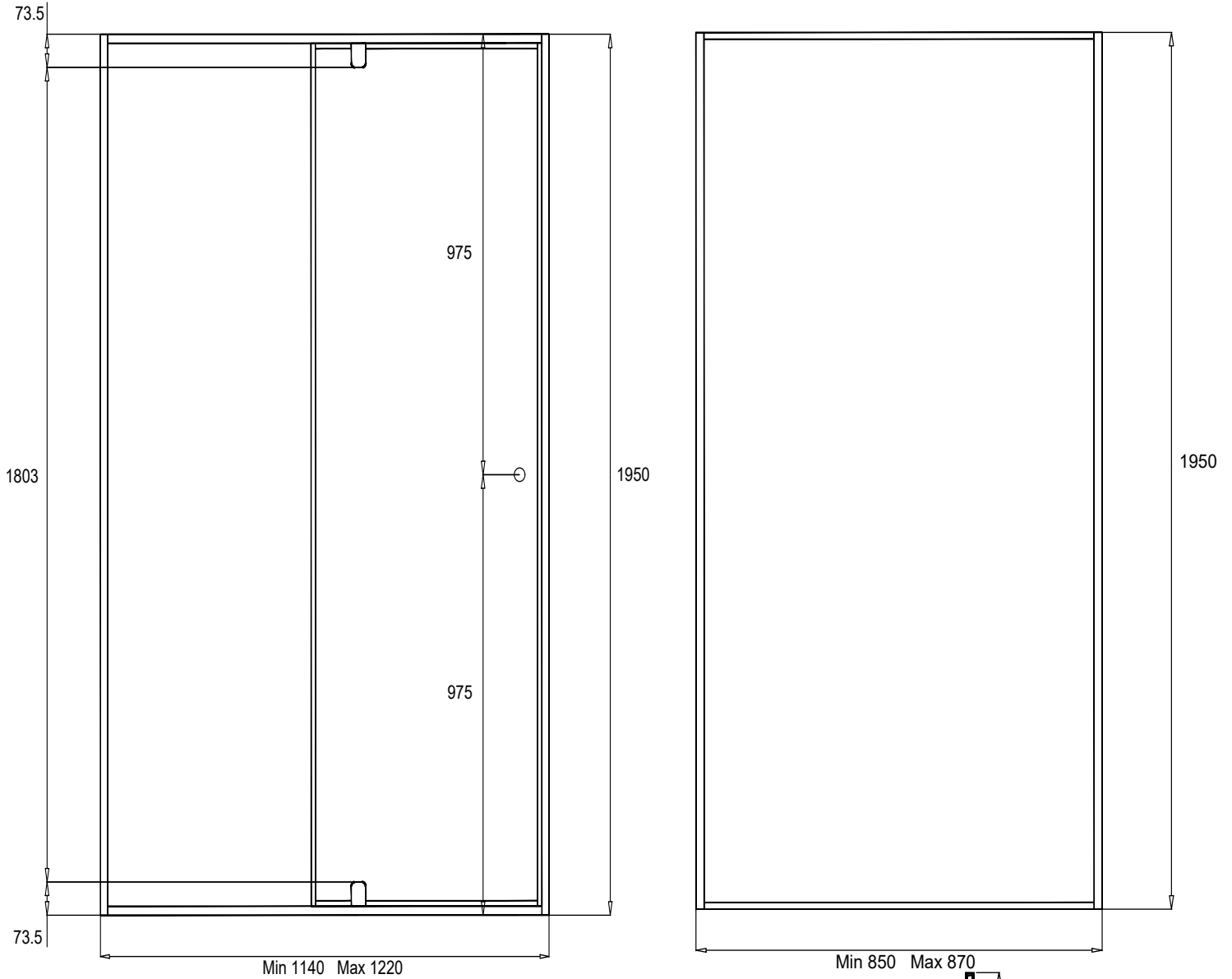
# SEMI FRAMED ADJUSTABLE FRONT & RETURN PIVOT DOOR FOR SHOWER BASE







# SEMI FRAMED ADJUSTABLE FRONT & RETURN PIVOT DOOR FOR SHOWER BASE



## SEMI FRAMED ADJUSTABLE FRONT & RETURN PIVOT DOOR FOR SHOWER BASE

### Important Pre-Installation Information

- Please read this entire instruction book before commencing installation.
- A licensed tradesman must be used for the installation.
- Leave the plastic protectors on the glass corners until the last possible moment and handle with care.
- Please ensure all the tiles are grouted and silicone work is completed before attempting to install this product.

### Maintenance

If water alone is not enough to clean the glass, Custom Glass recommends the use of mild detergent solutions only.

### Tools Required



Silicone Sealant



Drill



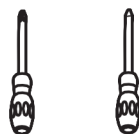
Level



Rubber Mallet



Pencil



Phillips Screwdriver



Tape Measure



Cutting Pliers



Utility Knife

6mm (1/4") and  
3mm (1/8") Drill Bits

Safety Goggles



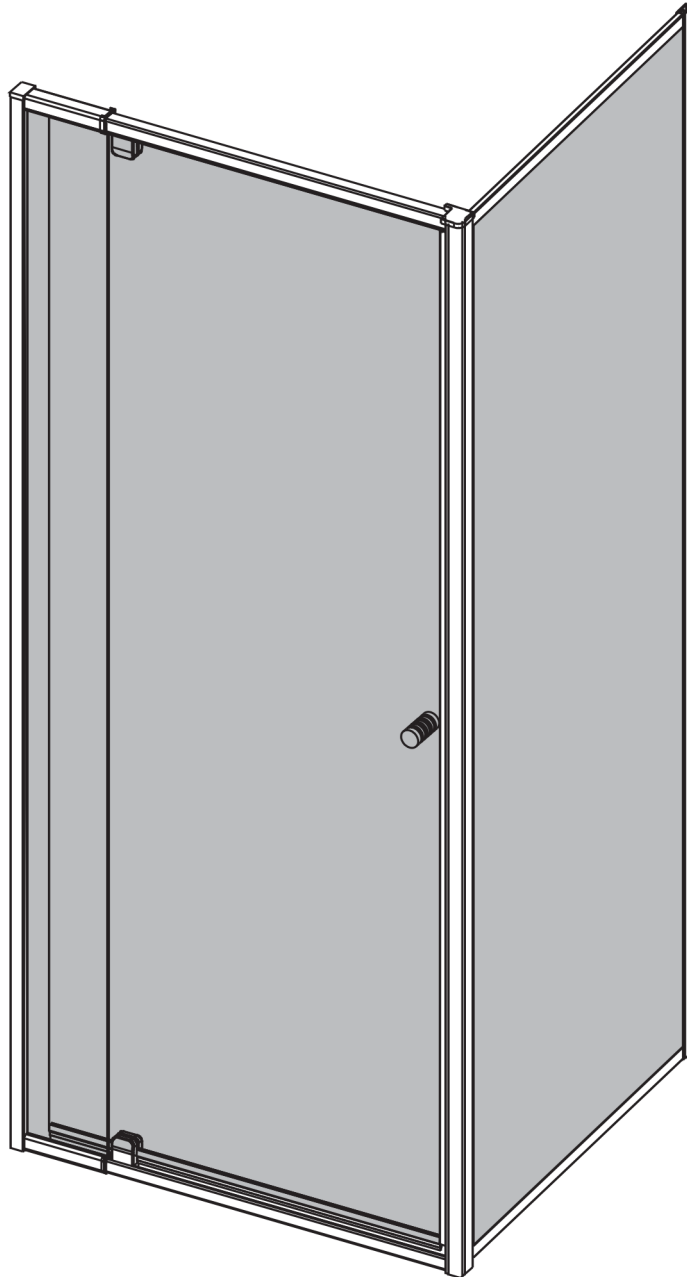
Gloves

\* Use the correct type of drill bit for the material being drilled, with 6mm required for anchor fixing and 3mm used for screwing directly into the wall studs.

\*\* As with all toughened glass, take care while handling and wear safety goggles and gloves for personal protection.

Dimensions are nominal measurements only.  
Dimensions are shown in Millimetres

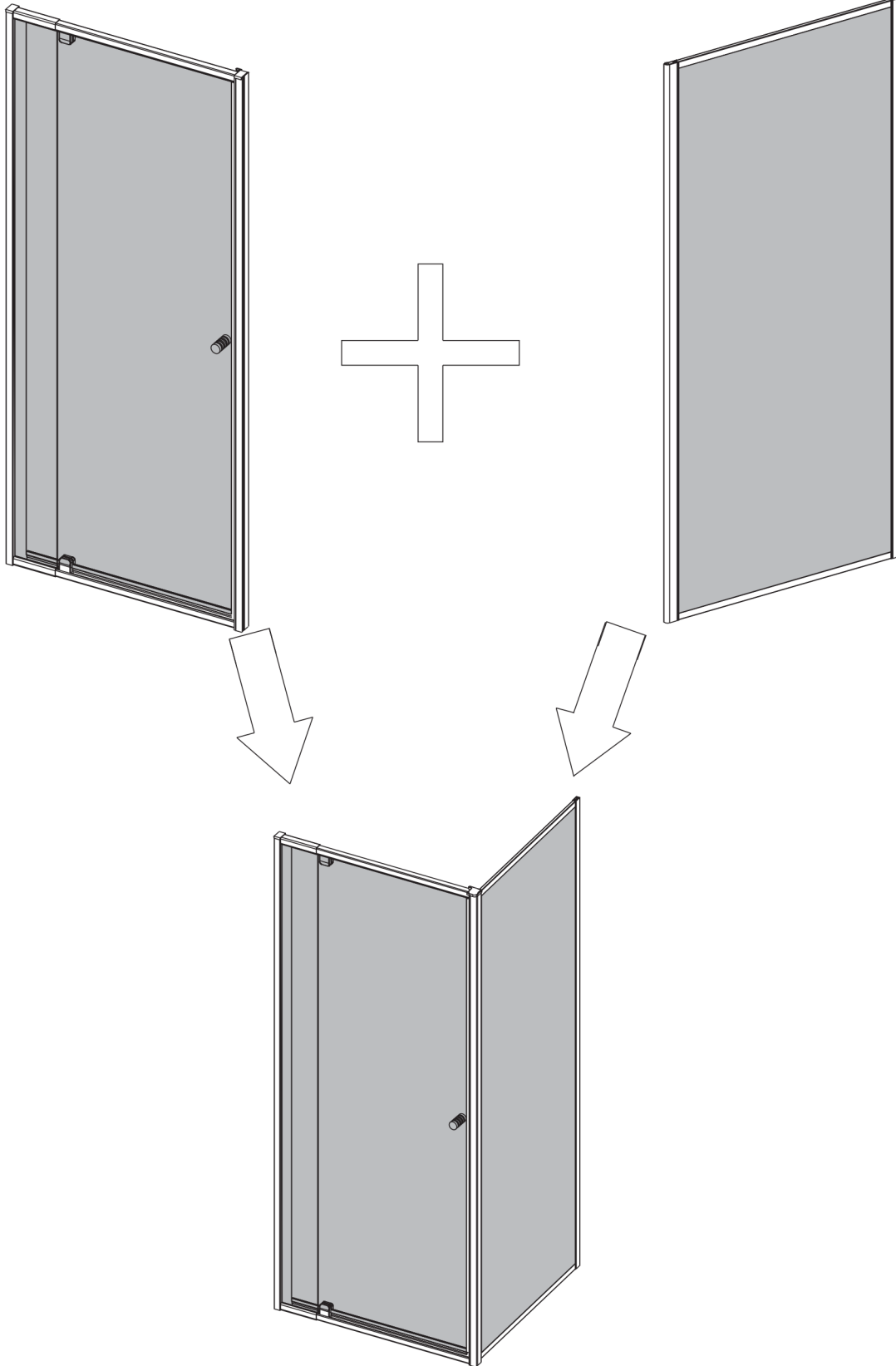
**SEMI FRAMED ADJUSTABLE FRONT & RETURN PIVOT  
DOOR FOR SHOWER BASE**



**SEMI FRAMED ADJUSTABLE FRONT & RETURN PIVOT DOOR FOR SHOWER BASE**

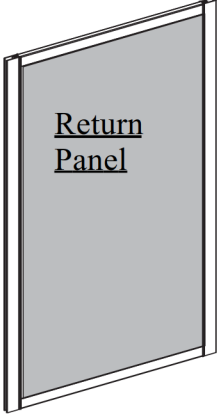
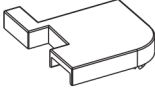
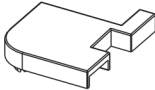
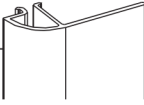
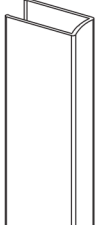
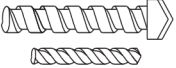

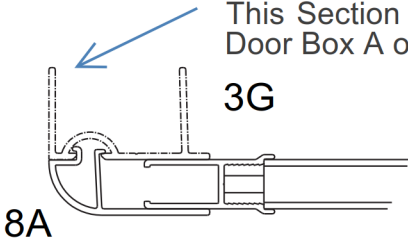
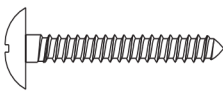


Door Box A

Return Box B



**SEMI FRAMED ADJUSTABLE FRONT & RETURN PIVOT DOOR FOR SHOWER BASE**

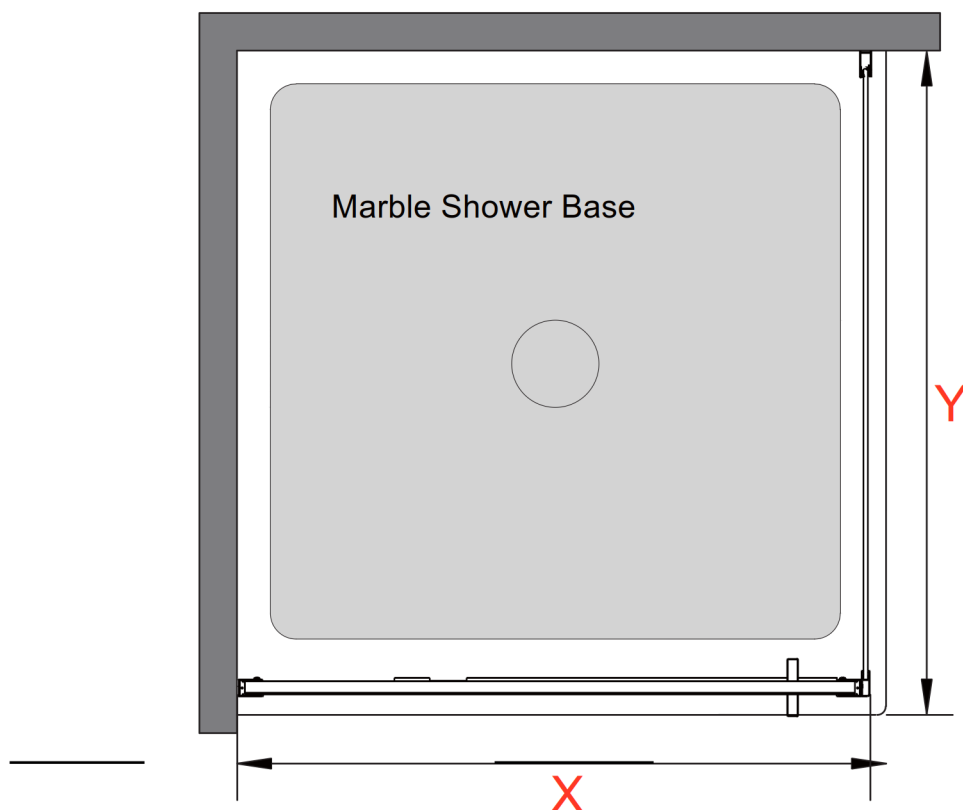
**Return Box B Items**

NO.	Designation	Pieces	NO.	Designation	Pieces
1	 <u>Return Panel</u>	X1	7.1	 <u>Return Top Caps</u>	X1
			7.2	 <u>Return Top Caps</u>	X1
			8	 <u>Return Jamb</u>	X1
2	 <u>Wall Channel</u>	X1	<p>Not Supplied</p>  <p>Ø8 Ø3.2</p>		
3	<u>Fixings</u>  Ø8	X4	 <p>This Section 3G in Door Box A only</p> <p>8A</p> <p>3G</p> <p>Slide these 2 sections together</p>		
4	 ST4X35	X4			
5		X5			
6	 ST4X10	X5			

## SEMI FRAMED ADJUSTABLE FRONT & RETURN PIVOT DOOR FOR SHOWER BASE

### Determining Wall Channel Location

When commencing step 1 on the following page, please refer to this drawing and the tabulated dimensions for your size of system to assist in the correct location of the wall channels.



Base Size	Screen Front X Min-Max	Base Size	Return Y Min-Max
820	760-820	820	770-790
900	820-900	900	850-870
1000	900-980	1000	950-970
1200	1140-1220	900	850-870

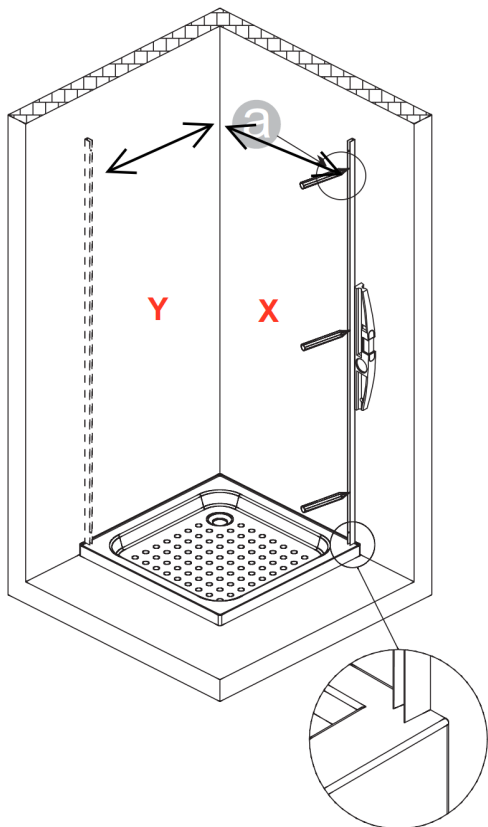
- Locate the size of your shower screen and use the value for X and Y on the same line to find the distance from the shower wall to the outside edge of the wall channels.

- If your wall and shower base are not at right angles the glass will not push fully into the wall channel at the top or bottom. This misalignment is acceptable if not exceeding 10mm, however the overall shower size will then increase by the amount of this misalignment.

## SEMI FRAMED ADJUSTABLE FRONT & RETURN PIVOT DOOR FOR SHOWER BASE

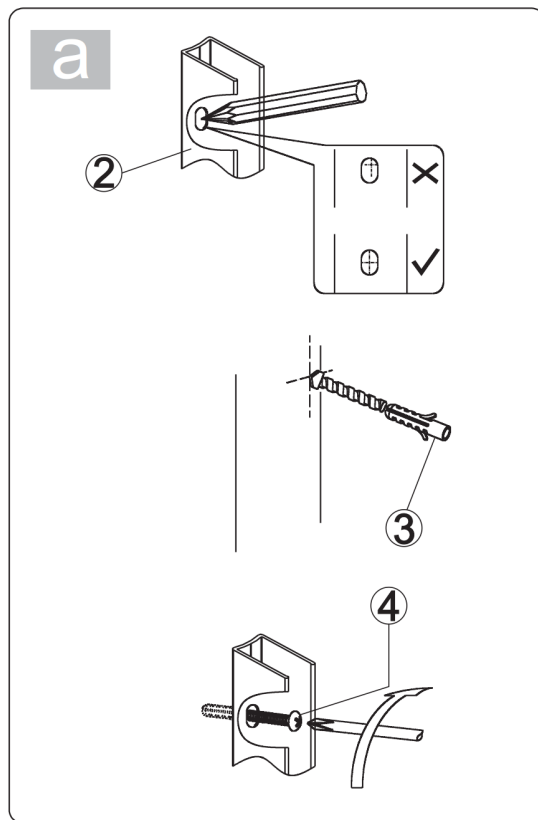
### BOX B RETURN INSTRUCTIONS

1.

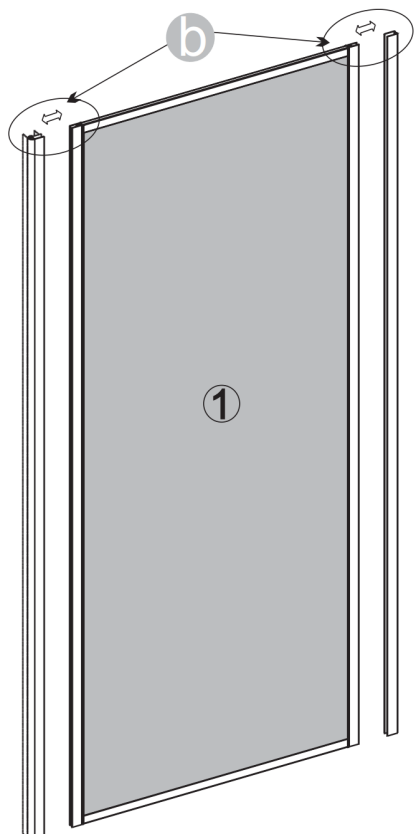


Ref to Door box A for instructions For Door

Both Channels must be level

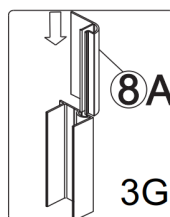


2.

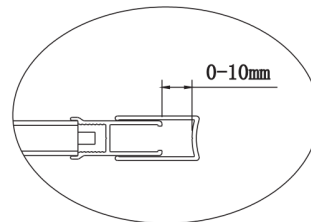
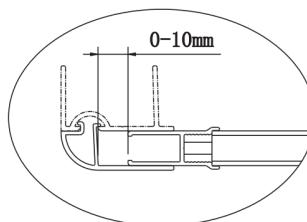
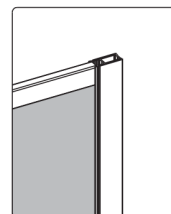
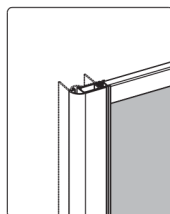


Insert Panel into the wall Channel X1, and the attach 8A and 3G

b

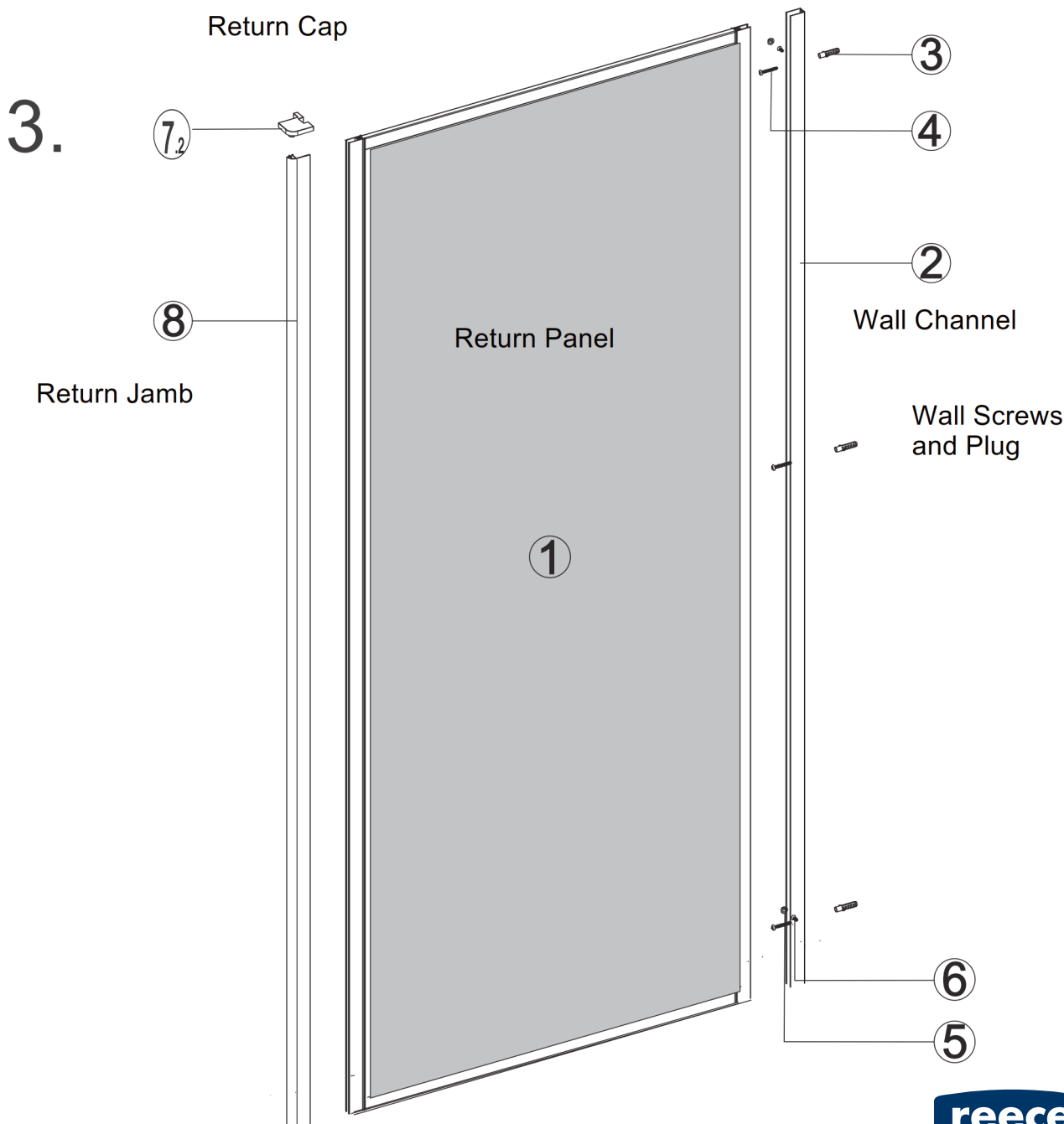
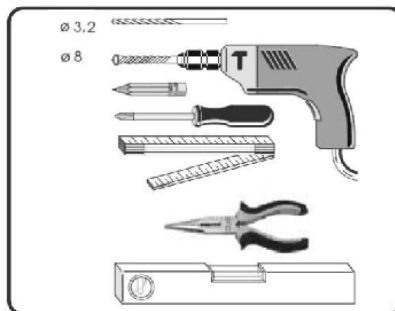
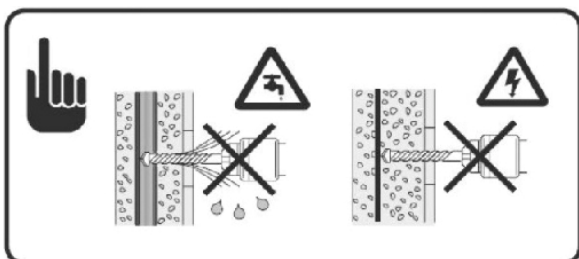


Slide both section together then attach to return Panel



## SEMI FRAMED ADJUSTABLE FRONT & RETURN PIVOT DOOR FOR SHOWER BASE

### BOX B RETURN INSTRUCTIONS

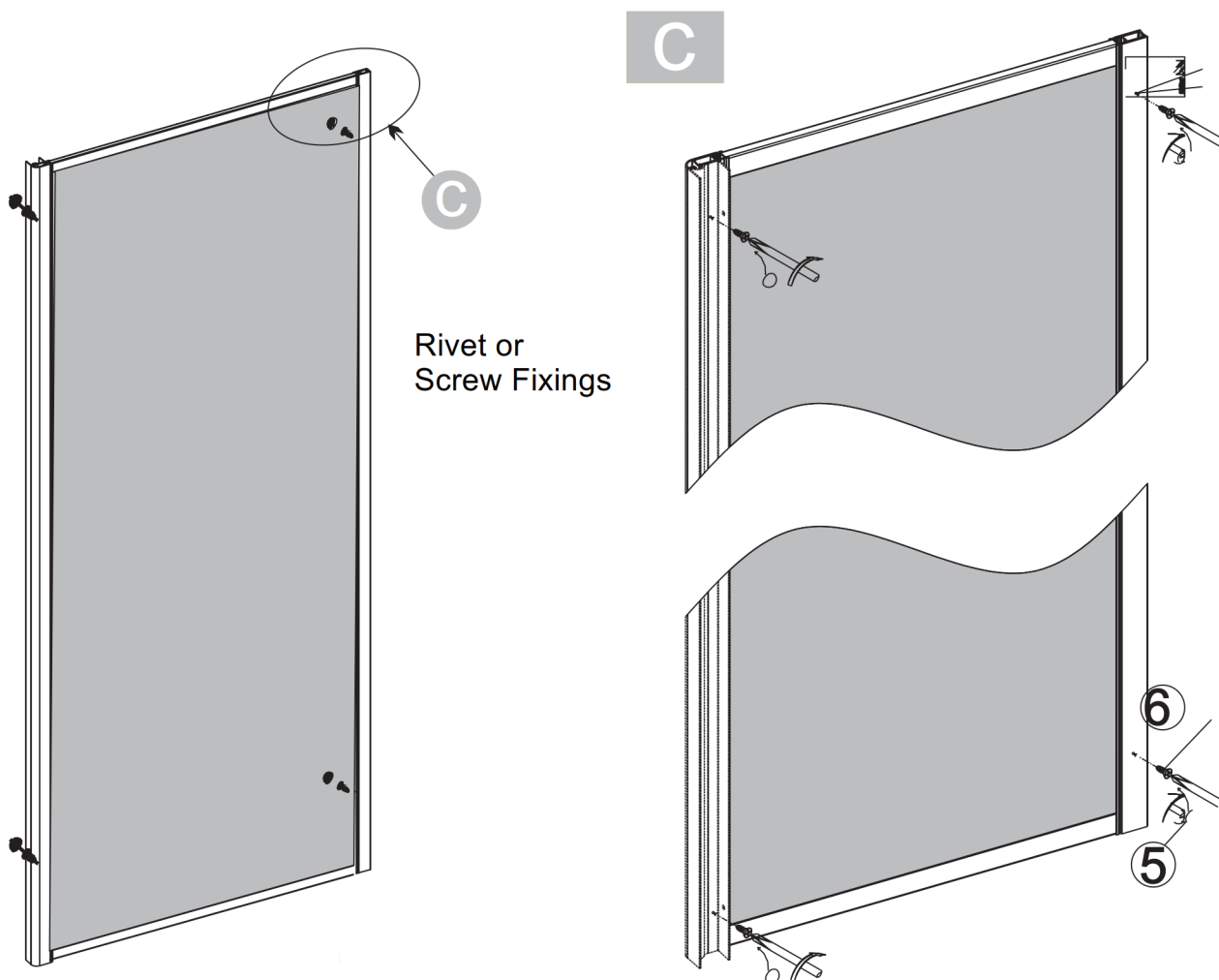




**SEMI FRAMED ADJUSTABLE FRONT & RETURN PIVOT  
DOOR FOR SHOWER BASE**

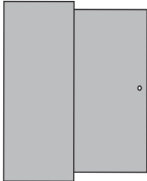
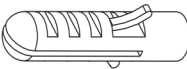
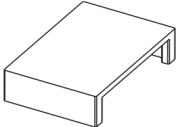


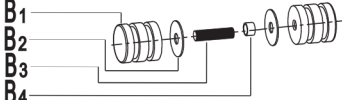



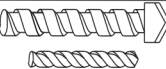
**BOX B RETURN INSTRUCTIONS**

4.



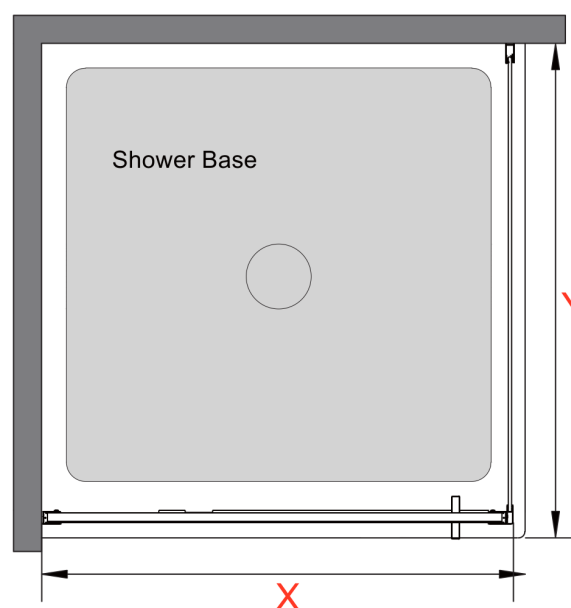
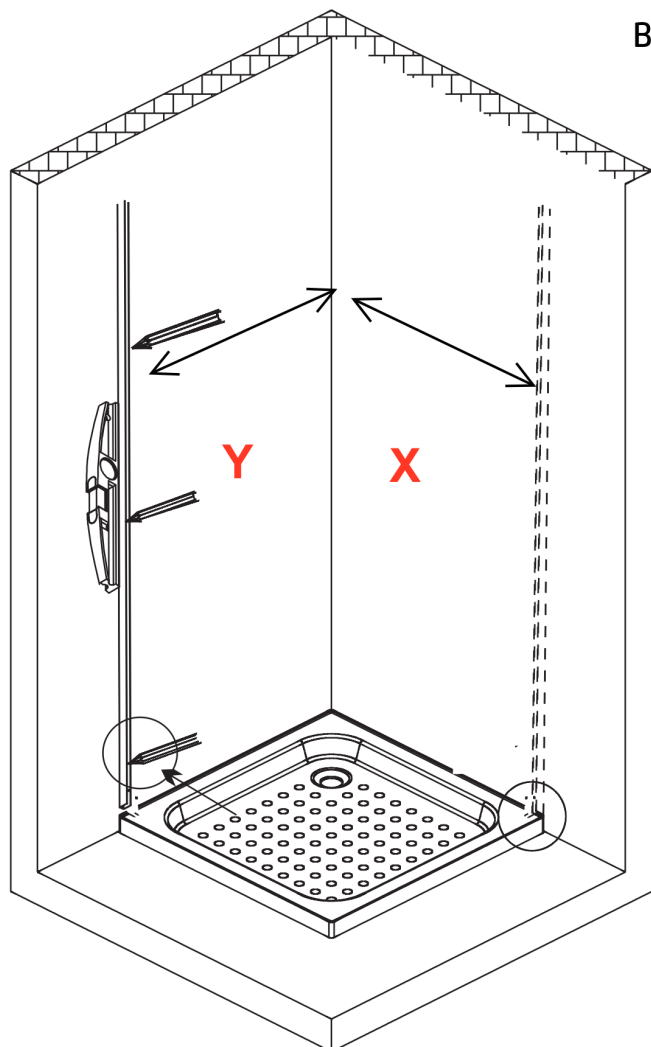
# SEMI FRAMED ADJUSTABLE FRONT & RETURN PIVOT DOOR FOR SHOWER BASE

## Door Box A Items

NO.	Designation	Pieces	NO.	Designation	Pieces
1		X1	7	 $\phi 8$	X7
<b><u>Door and Infill</u></b>			<b><u>Wall Top Cap</u></b>		
3	<b><u>Wall Channels</u></b>		8		X2
	G	X1	9		<b><u>Door Water Seal</u></b>
	3G	X1			
<b><u>Fixings</u></b>			<b><u>Handle</u></b>		
4	 $\oplus$ ST4X35	X7	10		X2
	 $\oplus$ ST4X35	X7		B <sub>1</sub>	X2
5	 $\oplus$ ST4X10	X7/X9		B <sub>2</sub>	X1
				B <sub>3</sub>	X1
6		X7/X10/ X12/X13	<b>Not Supplied</b>		
			 $\phi 8$ $\phi 3.2$		

**SEMI FRAMED ADJUSTABLE FRONT & RETURN PIVOT DOOR FOR SHOWER BASE**

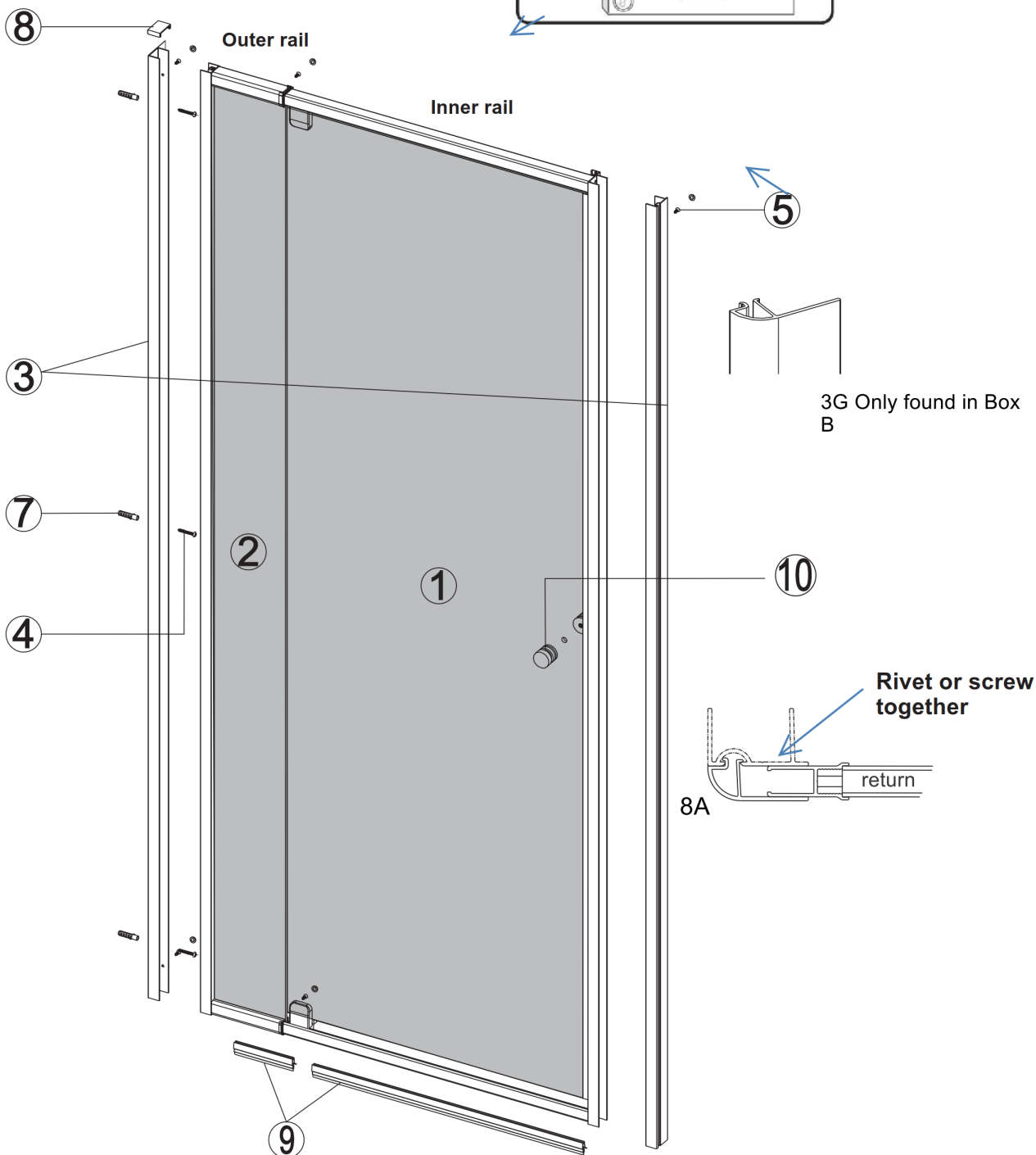
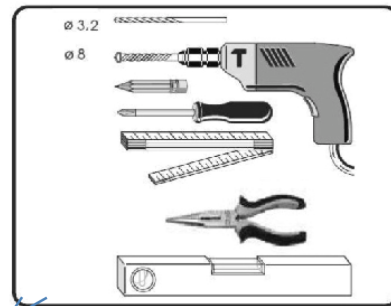
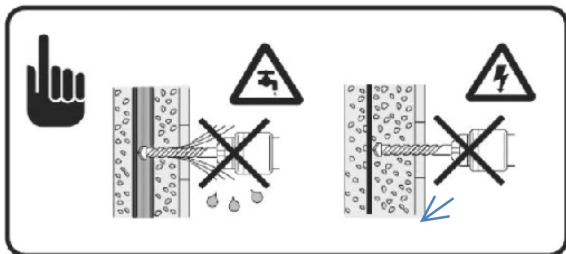
**BOX A DOOR INSTRUCTIONS**



Base Size	Screen Front X Min-Max	Base Size	Return Y Min-Max
820 x 820	760-820	820	770-790
900 x 900	820-900	900	850-870
1000 x 1000	900-980	1000	950-970
1200 x 900	1140-1220	900	850-870

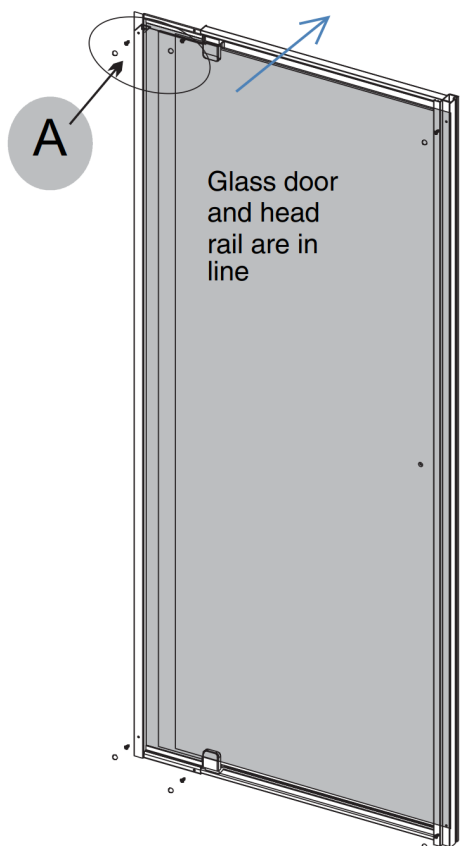
## SEMI FRAMED ADJUSTABLE FRONT & RETURN PIVOT DOOR FOR SHOWER BASE

### BOX A DOOR INSTRUCTIONS

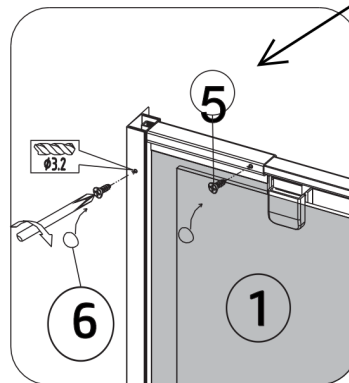


# CREATIVE GLASS

## SEMI FRAMED ADJUSTABLE FRONT & RETURN PIVOT DOOR FOR SHOWER BASE

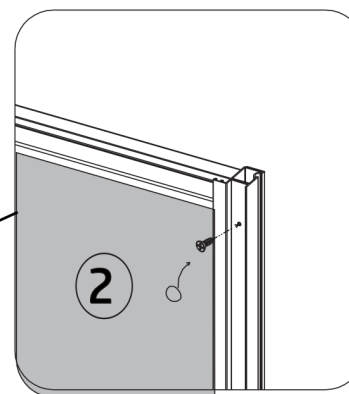


a

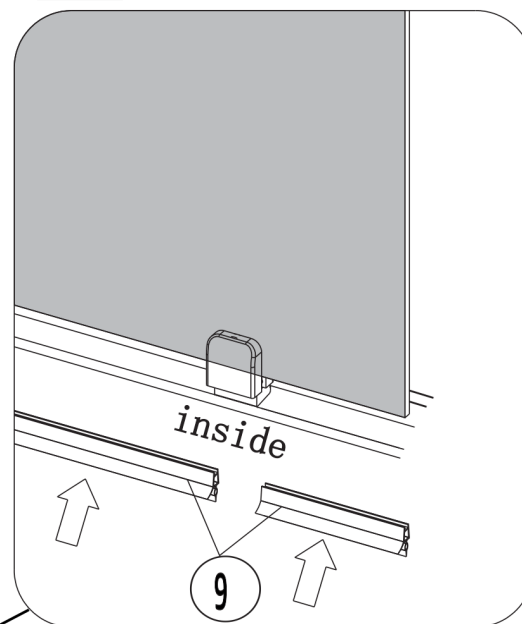


Before fixing of this rivet or screw, make sure door glass is level and in line with head rail.

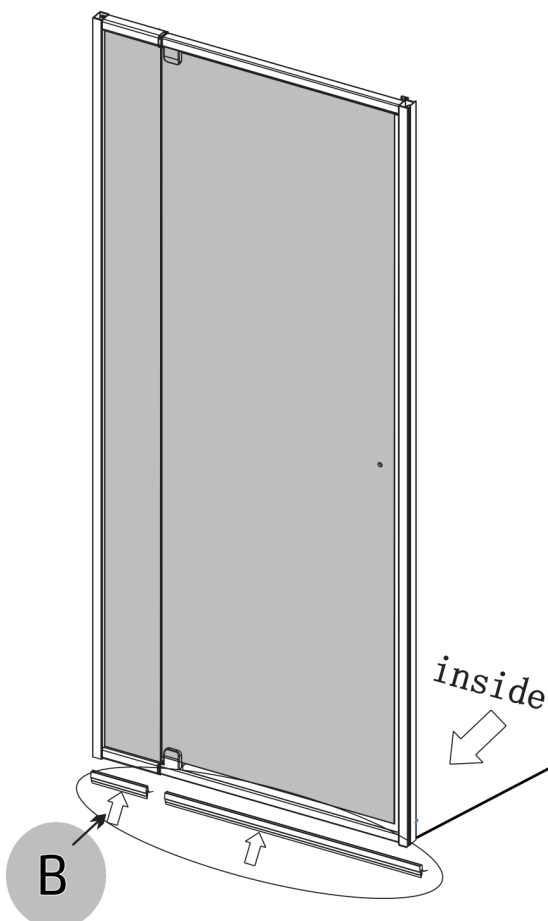
Slide inner rail into outer to achieve door alignment. before fixing screw



b



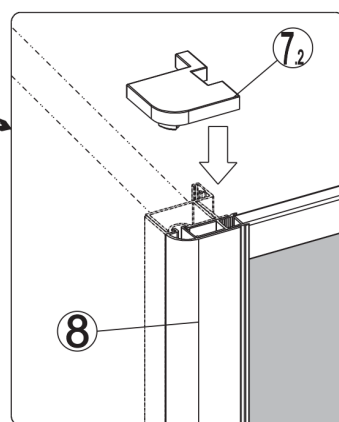
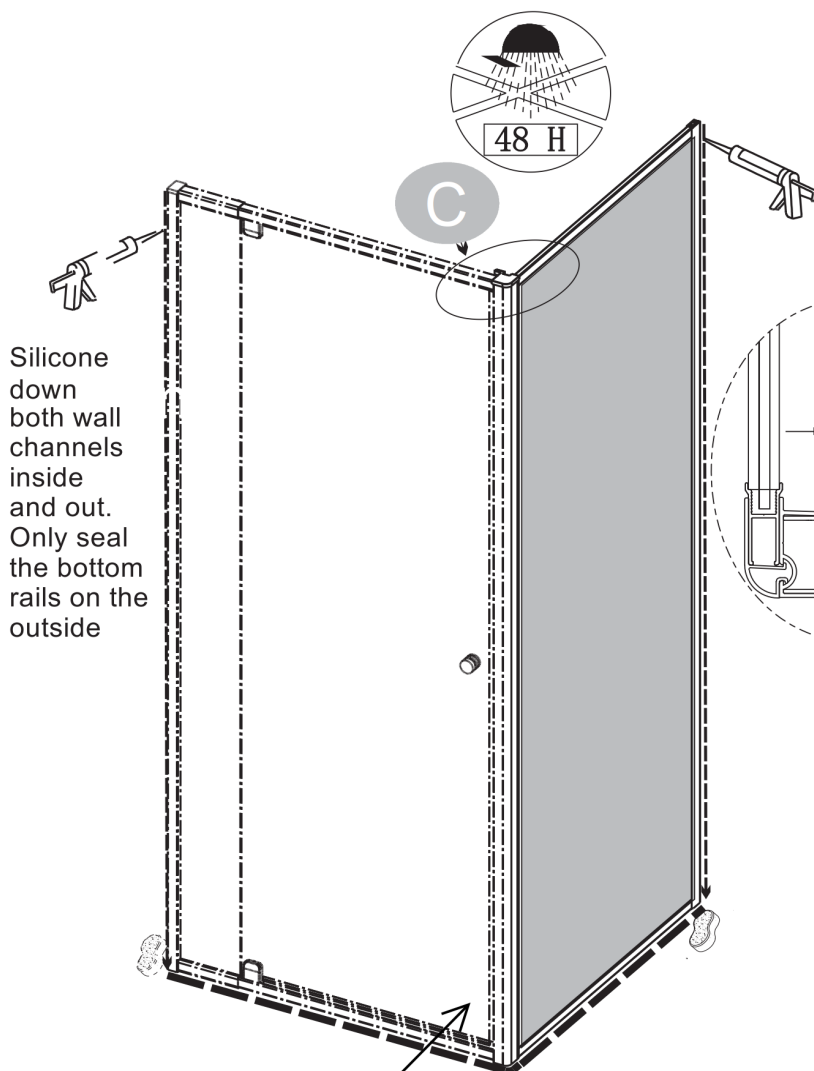
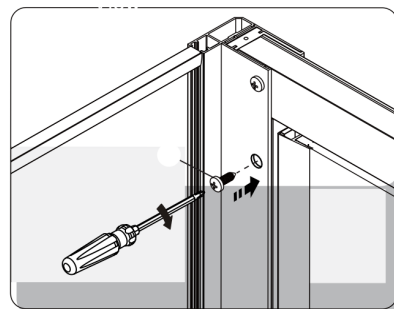
Door water seal



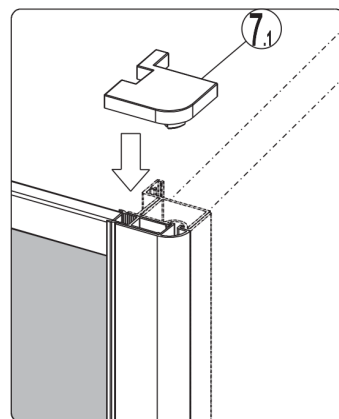
# CREATIVE GLASS

## SEMI FRAMED ADJUSTABLE FRONT & RETURN PIVOT DOOR FOR SHOWER BASE

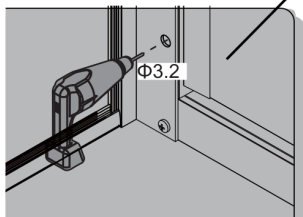
Inside View



OR



Corner Top Cap



Inside View



## SEMI FRAMED ADJUSTBLE FRONT & RETURN PIVOT DOOR FOR SHOWERBASE

### DETAILED CLEANING INSTRUCTIONS

#### Easy Clean Treated Glass

After showering we strongly recommend you squeegee the glass to remove water from the surface.

A weekly clean using water and 30% Vinegar or a mild detergent is all it takes to remove dirt, soap scum and other contaminants.

Spray the vinegar and water on the glass and wipe with a soft cloth, leave this on the surface for several minutes before rinsing and drying the glass.

#### Aluminium Frame and Metal Components

The simplest and most preferred method of cleaning your unit is by washing with clean water and drying with a soft cloth.

Do not use Abrasive powders, steel and Teflon pads or dirty and gritty rags. The anodised coating on the Aluminium is one of the hardest substances known, however, it will be damaged by strong acidic or alkaline solutions. These solutions may dull and discolour the finish.

The most reliable preventative measure to preserve your screen is to wipe the surface dry with a soft cloth after each use.