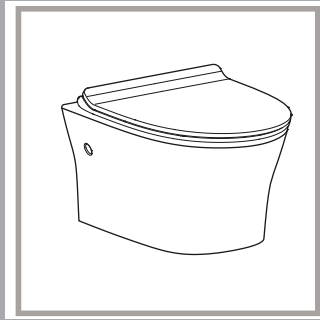
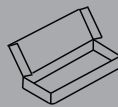
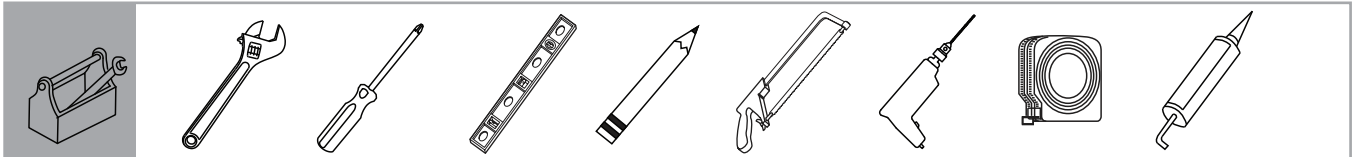
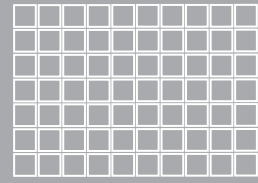


Signature Wall Hung Pan

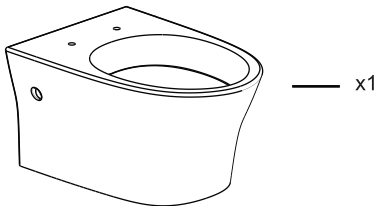
CCAS3140



American Standard



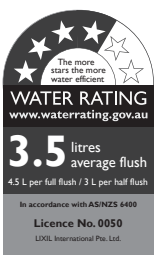
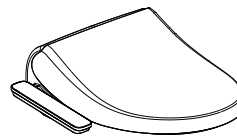
**CCAS3140-
3W20400R0**



**CL6155M-
6D**

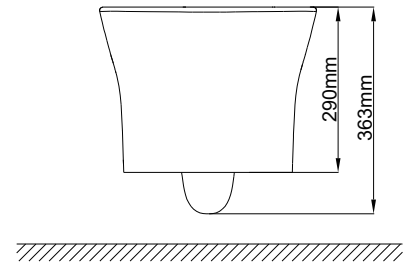
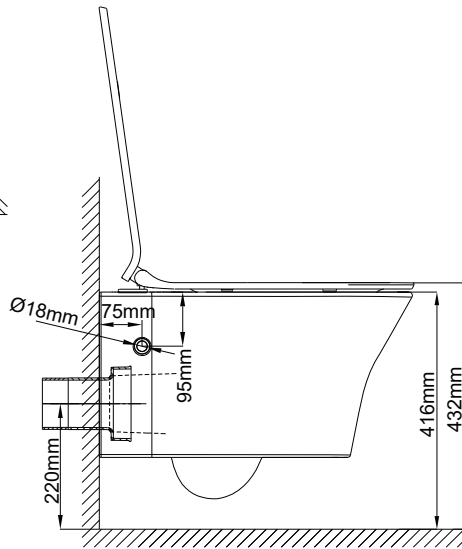
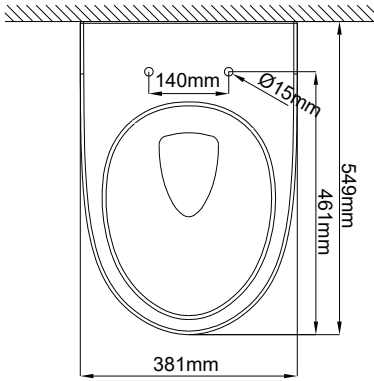


**CEAS7SS1-
0100510R0**

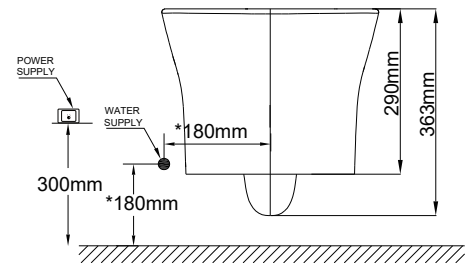
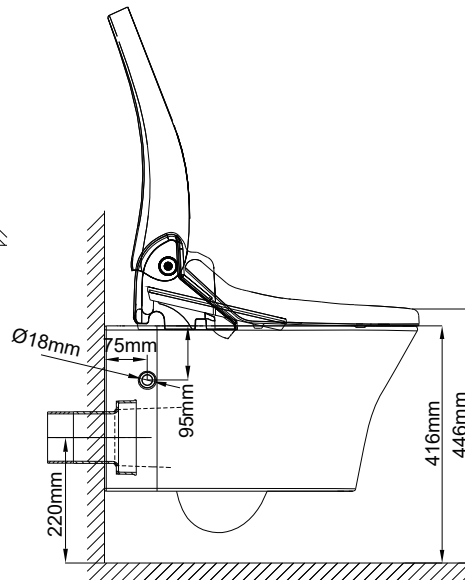
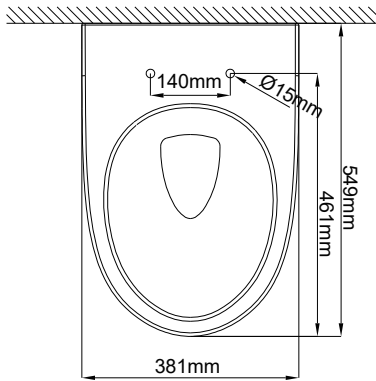


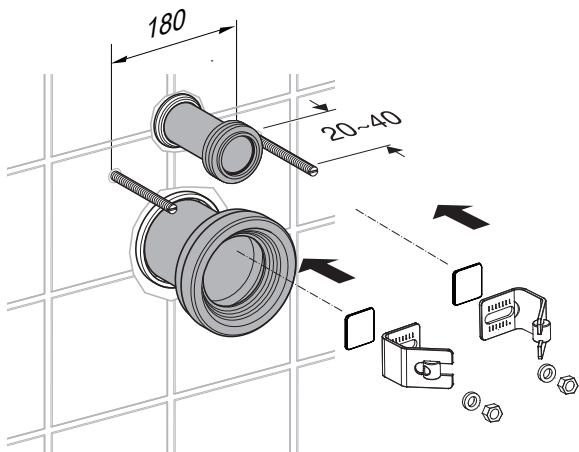


w/ normal S&C

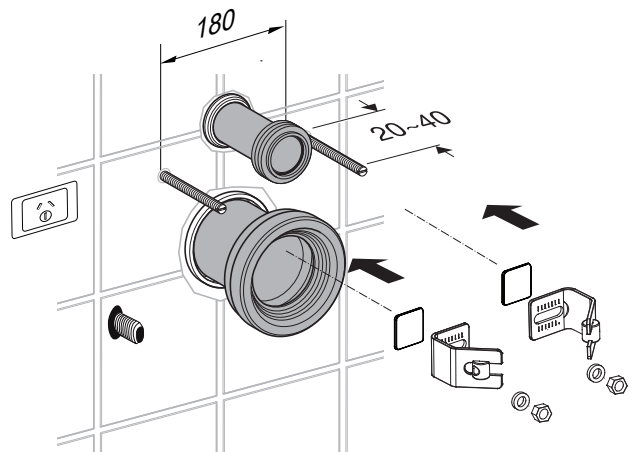


w/ Spalet E-bidet



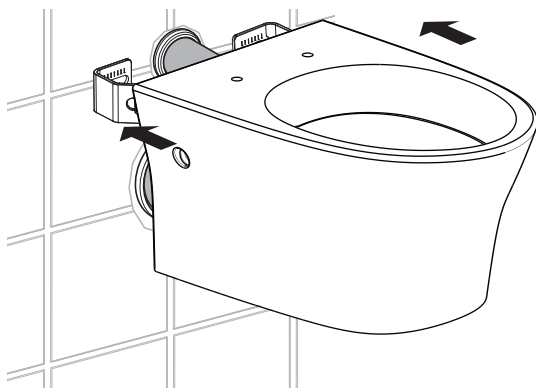


1.1

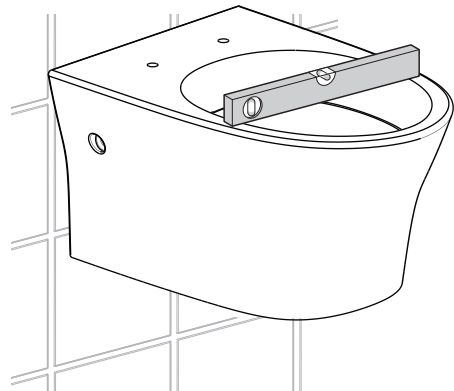


1.2

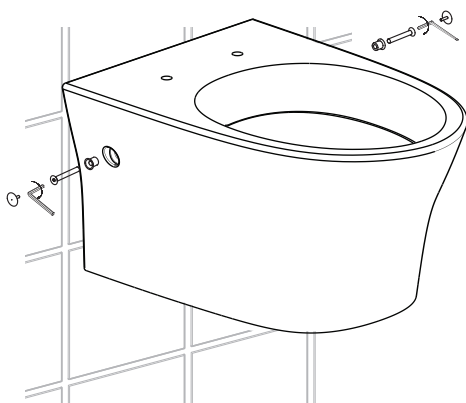
Option 2: Spalet Installation



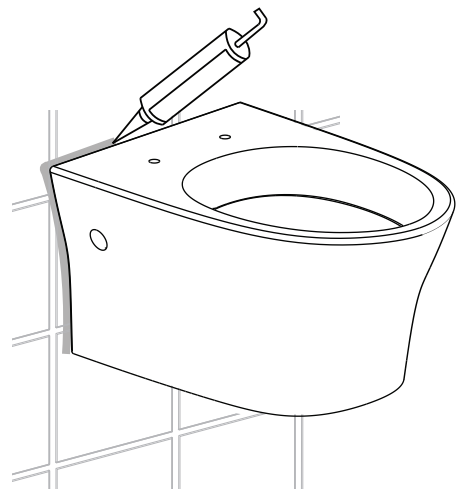
2



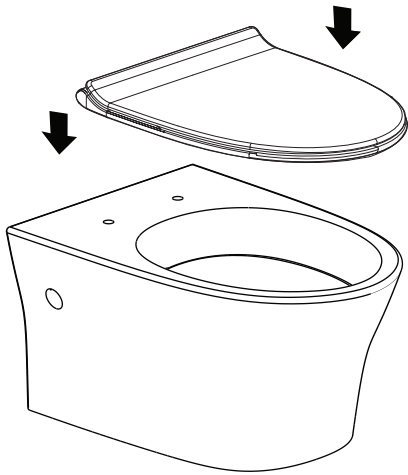
3



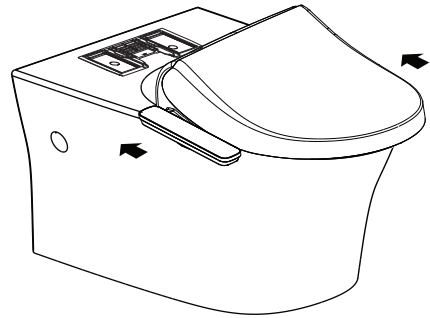
4



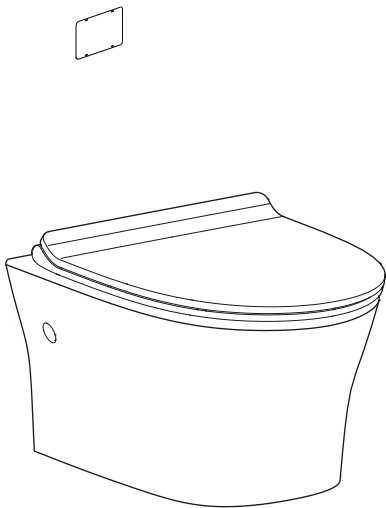
5



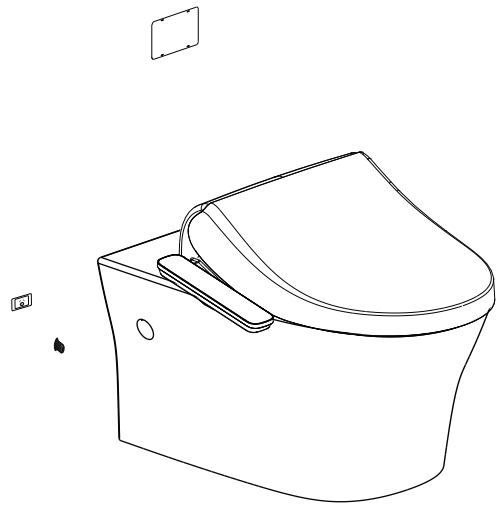
6.1



6.2



7.1



7.2

Installation shall be in accordance with AS/NZS3500.1 and AS/NZS3500.2.