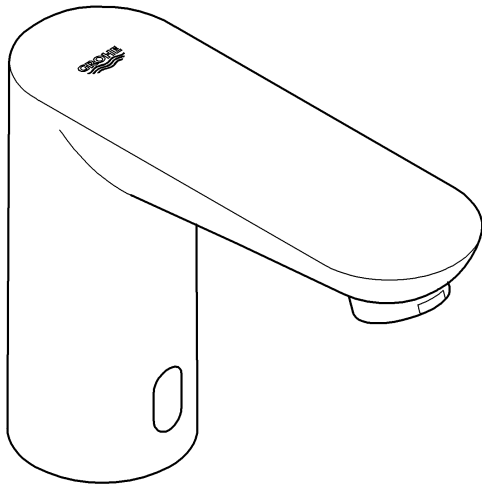
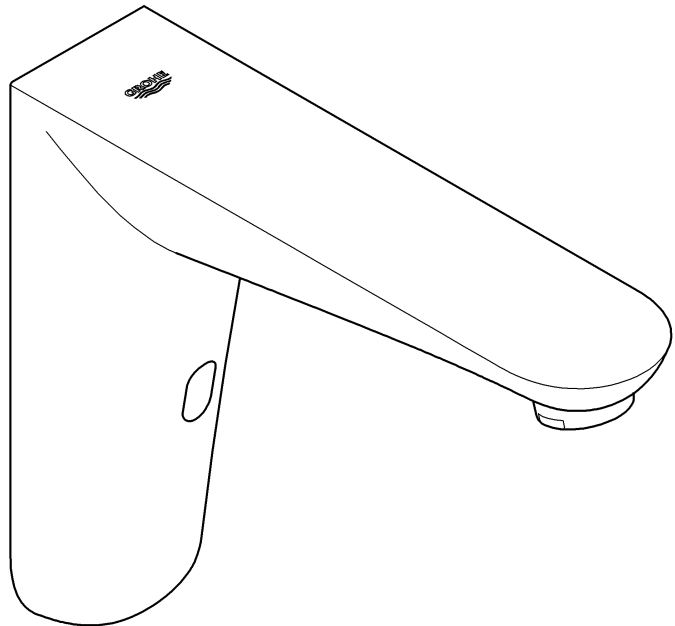


36 269
36 270
36 271
36 272
36 313
36 314



36 274



Euroeco Cosmopolitan E

(D)1 (I)9 (N)17 (GR)25 (TR)33 (BG)41 (RO)49
 (GB)3 (NL)11 (FIN)19 (CZ)27 (SK)35 (EST)43 (CN)51
 (F)5 (S)13 (PL)21 (H)29 (SLO)37 (LV)45 (UA)53
 (E)7 (DK)15 (UAE)23 (P)31 (HR)39 (LT)47 (RUS)55

Design & Quality Engineering GROHE Germany

INT00001/ÄM 219521/04.11

GROHE

 ENJOY WATER®

Making settings

The infrared electronics provide seven preset programmes for selection. Programme 1 is set at the factory.

Programme	Temporary shutoff*	Automatic flushing**				Duration of thermal disinfection
		On/off	Flush interval	Flush duration	Usage-dependent/usage-independent	
Programme 1	Active	Off	-	-	-	3.5 min
Programme 2	Active	On	72 h	5 min	Usage-dependent	3.5 min
Programme 3	Active	On	24 h	5 min	Usage-independent	11 min
Programme 4	Active	On	72 h	10 min	Usage-dependent	3.5 min
Programme 5	Active	On	72 h	1 min	Usage-dependent	3.5 min
Programme 6	Inactive	Off	-	-	-	3.5 min
Programme 7	Inactive	On	72 h	5 min	Usage-dependent	3.5 min

* Cleaning mode can be activated when temporary shutoff is activated. In cleaning mode, water flow is not started for 3 minutes despite an object being detected.

** Automatic flushing serves to ensure water hygiene if the fitting is not used for a prolonged period. Flushing is initiated for a duration of 1, 5 or 10 minutes after 24 hours (usage-independent) or 72 hours after the fitting was last used (usage-dependent).

Safety note:

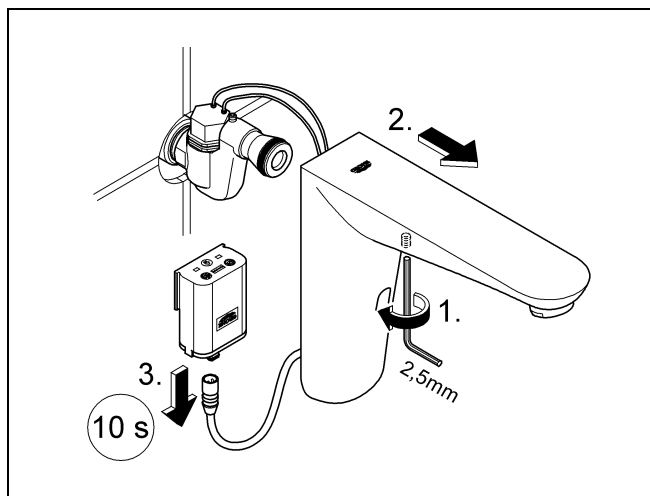
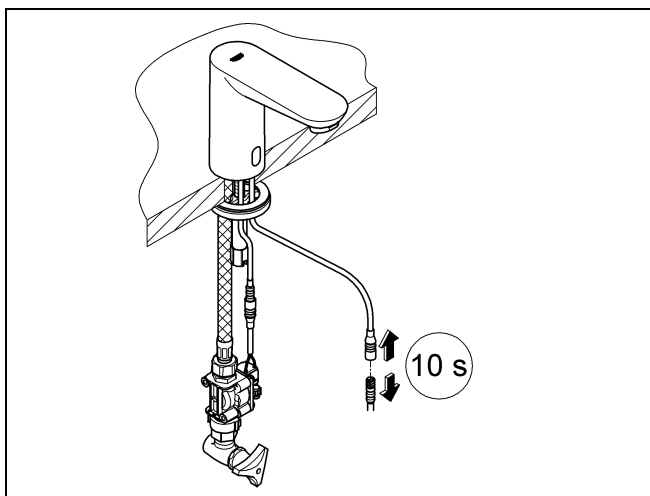
Ensure free draining when automatic flushing is activated.

The fitting can be individually programmed using the remote control (see Special accessory, Prod. no.: 36 206).

Selecting a programme

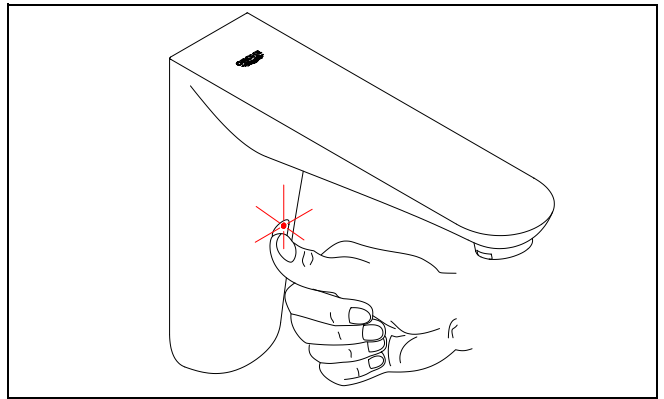
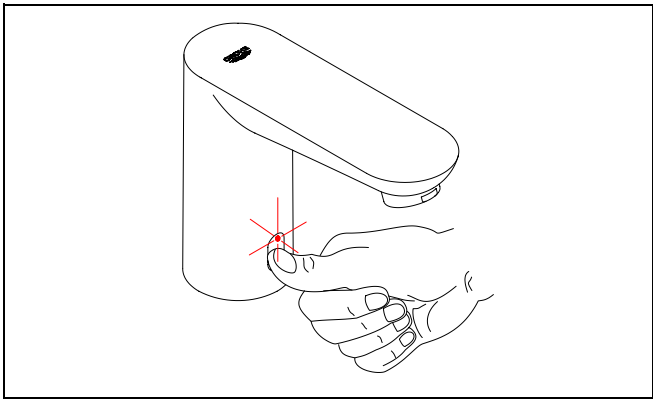
The programme is selected via the infrared sensor system.

1. Activate setting mode:



Disconnect the power supply to the electronics and re-connect after 10 s. Setting mode is active for 3 minutes.

2. Hold finger against the lower area of the sensor system.



The indicator lamp in the sensor system flashes quickly.

3. Remove finger from the sensor system once the indicator lamp goes out. Programme selection mode is activated.

4. Replace finger against the lower area of the sensor system.

The programmes are indicated by groups of flashing signals via the indicator lamp. The groups are separated by a pause.

5. Programmes and indication:

Indication starts with the programme that is currently set. The number of flashing signals corresponds to the individual programmes.

1 = Programme 1

Pause

2 = Programme 2

Pause

- etc.

7 = Programme 7

Pause

After the group with 7 flashing signals, the routine starts from the beginning.

1 = Programme 1

...

6. Selecting a programme:

The programme is selected by removing the finger from the sensor system during the pause after the required programme.

The corresponding flashing signals are indicated again after the finger is removed.

7. A new programme can be selected within the next 5 s if required. Programme selection mode is automatically terminated if the finger is removed from the sensor system before 5 s have elapsed.

Starting cleaning mode

Cleaning mode is activated by holding the finger against the lower area of the sensor system (indicator lamp lights up continuously, then flashes). Remove the finger when the flashing signals start.

Terminating cleaning mode

Cleaning mode can be prematurely terminated by once more holding the finger against the lower area of the sensor system (the indicator lamp changes from flashing signals to lighting up continuously). The finger can be removed once the indicator lamp goes out or cleaning mode ends automatically after 3 minutes.

Signalling the remaining battery capacity and performing thermal disinfection

Hot water **must** be provided by the customer.

Thermal disinfection is started and the remaining battery capacity is signalled by holding the finger against the lower area of the sensor system (indicator lamp lights up continuously, then flashes slowly, the flashes quickly). Remove the finger when the quick flashing signals start. The remaining battery capacity is signalled as follows by the number of flashing signals:

4 = Remaining capacity > 60%

3 = Remaining capacity > 40%

2 = Remaining capacity > 20%

1 = Remaining capacity < 20%

Thermal disinfection starts once the remaining capacity has been signalled.



The detection zone of the sensor system must be kept clear while the remaining battery capacity is being signalled.

If an object is detected during thermal disinfection (hot water flow), the water stops flowing immediately and the fitting is closed (indicator lamp starts to flash).

Closure of the fitting ends automatically after 3 minutes or can be prematurely terminated (see Terminating cleaning mode).

D

Grohe Deutschland
Vertriebs GmbH
Zur Porta 9
32457 Porta Westfalica
Tel.: +49 571 3989-333
Fax: +49 571 3989-999

A

GROHE Ges.m.b.H.
Wienerbergstraße 11/A7
1100 Wien
Tel.: +43 1 68060
Fax: +43 1 6884535

B

GROHE nv - sa
Diependaalweg 4a
3020 Winksele
Tel.: +32 16 230660
Fax: +32 16 239070

BG

Търговско представителство
Grohe AG България
Бизнес център Слатина
Ул. Слатинска 1
1574 София
Тел. : +359 2 9719959
+359 2 9712535
Факс.: +359 2 9712422

CDN

GROHE Canada Inc.
1230 Lakeshore Road East
Mississauga, Ontario
Canada, L5E 1E9
Tel.: +1 905 2712929
Fax: +1 905 2719494

CH

Grohe Switzerland SA
Oberfeldstrasse 14
8302 Kloten
Tel.: +41 44 8777300
Fax: +41 44 8777320

CN

高仪 (上海)
卫生洁具有限公司
上海市黄陂北路227号
中区广场607-610室
电话: +86 21 63758878
传真: +86 21 63758665

CY

GROME Marketing (Cyprus) Ltd.
195B, Old Nicosia-Limassol Road
Dhali Industrial Zone
P.O. Box 27048
1641 Nicosia
Tel.: +357 22 465200
Fax: +357 22 379188

CZ SK

Grohe ČR s.r.o.
Zastoupení pro ČR a SR
V Oblouku 104, Čestlice
252 43 Průhonice
Tel.: +420 22509 1082
Fax: +420 22509 1085

DK

GROHE A/S
Walgerholm 11
3500 Vaerløse
Tel.: +45 44 656800
Fax: +45 44 650252

E

GROHE España S.A.
C/ Botanica, 78 - 88
Gran Via L'H - Distr. Econòmic
08908 L'Hospitalet de Llobregat
(Barcelona)
Tel.: +34 93 3368850
Fax: +34 93 3368851

EST LT LV

GROHE AG Eesti filiaal
Tartu mnt 16
10117 Tallinn
Tel.: +372 6616354
Fax: +372 6616364

F

GROHE s.à.r.l.
60, Boulevard de la Mission
Marchand
92400 Courbevoie - La Défense
Tel.: +33 1 49972900
Fax: +33 1 55702038

FIN

Oy Teknocalor Ab
Sinikellonkuja 4
01300 Vantaa
Tel.: +358 9 8254600
Fax: +358 9 826151

GB

GROHE Limited
Blays House, Wick Road
Englefield Green
Egham, Surrey, TW20 0HJ
Tel.: +44 871 200 3414
Fax: +44 871 200 3415

GR

N. Sapountzis S.A.
86, Kapodistriou & Roumelis Str.
142 35 N. Ionia - Athens
Tel.: +30 210 2712908
Fax: +30 210 2715608

H

GROHE Hungary Kft.
Röppentyü u. 53.
1139 Budapest
Tel.: +36 1 238 80 45
Fax: +36 1 238 07 13

HR

GROHE AG - Predstavništvo
Štefanovečka 10
10000 Zagreb
Tel.: +385 1 2989025
Fax: +385 1 2910962

I

GROHE S.p.A.
Via Castellazzo Nr. 9/B
20040 Cambiagio (Milano)
Tel.: +39 2 959401
Fax: +39 2 95940263

IND

Grohe India Private Limited
The Great Eastern Centre
Gesco Corporate Centre
70 Nehru Place
New Delhi 110019
Tel.: +91 11 5561 9423 / 9513
Fax: +91 11 5561 9451

IS

BYKO hf.
Skemmuvegi 2
200 Kópavogur
Tel.: +354 515 4000
Fax: +354 515 4099

J

Grohe Japan Ltd.
TRC Building, 3F
1-1 Heiwajima 6-chome, Ota-ku
Tokyo 143-0006
Tel.: +81 3 32989730
Fax: +81 3 37673811

N

GROHE A/S
Nils Hansens vei 20
0667 Oslo
Tel.: +47 22 072070
Fax: +47 22 072071

NL

GROHE Nederland BV
Metaalstraat 2
2718 SW Zoetermeer
Tel.: +31 79 3680133
Fax: +31 79 3615129

P

GROHE Portugal
Componentes Sanitários, Lda.
Rua Arq. Cassiano Barbosa, 539
1.º Frente Esquerdo
4100-009 Porto
Tel.: +351 22 543 29 80
Fax: +351 22 543 29 99

PL

GROHE Polska Sp. z o.o.
Pulawska 182 Street
02-670 Warszawa
Tel.: +48 22 5432 640
Fax: +48 22 5432 650

RUS

Представительство
Grohe AG
Москва, ул. Пусаковская 13, стр.1
1107140
тел.: +7 495 9819510
факс: +7 495 9819511

RO

Grohe AG Reprezentanta
Strada Nicolae Iorga 13,
Corp B
010432 Bucuresti (Sector 1)
Tel.: +40 21 2125050
Fax: +40 21 2125048

S

GROHE A/S
Kungsängsvägen 25
753 23 Uppsala
Tel.: +46 771 141314
Fax: +46 771 141315

SLO

GROSAN inženiring d.o.o.
Slandrova 4
1000 Ljubljana
Tel.: +386 1 5633060
Fax: +386 1 5633061

TR

GROME İc ve Dis Ticaret Ltd. Sti.
Bagdat Cad. Ugras Parlar Is
Merkezi No: 605, B Blok D: 12 - 15
34846 Cevizli - Maltepe-Istanbul
Tel.: +90 216 4412370
Fax: +90 216 3706174

UA

Представництво
Grohe AG в Україні
Вул. Івана Франка, 18-А
01030 Київ
тел. : +38 044 537 52 73
факс: +38 044 590 01 96

USA

GROHE America Inc.
241 Covington Drive
Bloomington
Illinois, 60108
Tel.: +1 630 5827711
Fax: +1 630 5827722

**Eastern Mediterranean
Middle East - Africa
Area Sales Office:**
GROME Marketing (Cyprus) Ltd.
195B, Old Nicosia-Limassol Road
Dhali Industrial Zone
P.O. Box 27048
1641 Nicosia
Tel.: +357 22 465200
Fax: +357 22 379188

Far East Area Sales Office:
GROHE Pacific Pte. Ltd.
438 Alexandra Road
06-01/04 Alexandra Point
Singapore 119958
Tel.: +65 6376 4500
Fax: +65 6378 0855

GROHE



ENJOY WATER®