



Folding Shower Seat | Black

Model RBA4157-777-004

Materials & Features

RBA folding shower seats are designed to suit all requirements of AS1428.1-2009 when installed correctly. Unit is slip-resistant and self-draining. Seat folds in an upwards direction.

Technical Detail

Frame: 1.6mm x 30mm tube, 304 Stainless Steel, Satin Finish
 Seat: One-piece, 12mm phenolic, black



Available Models:

RBA4157-777-004 Folding Shower Seat, Black

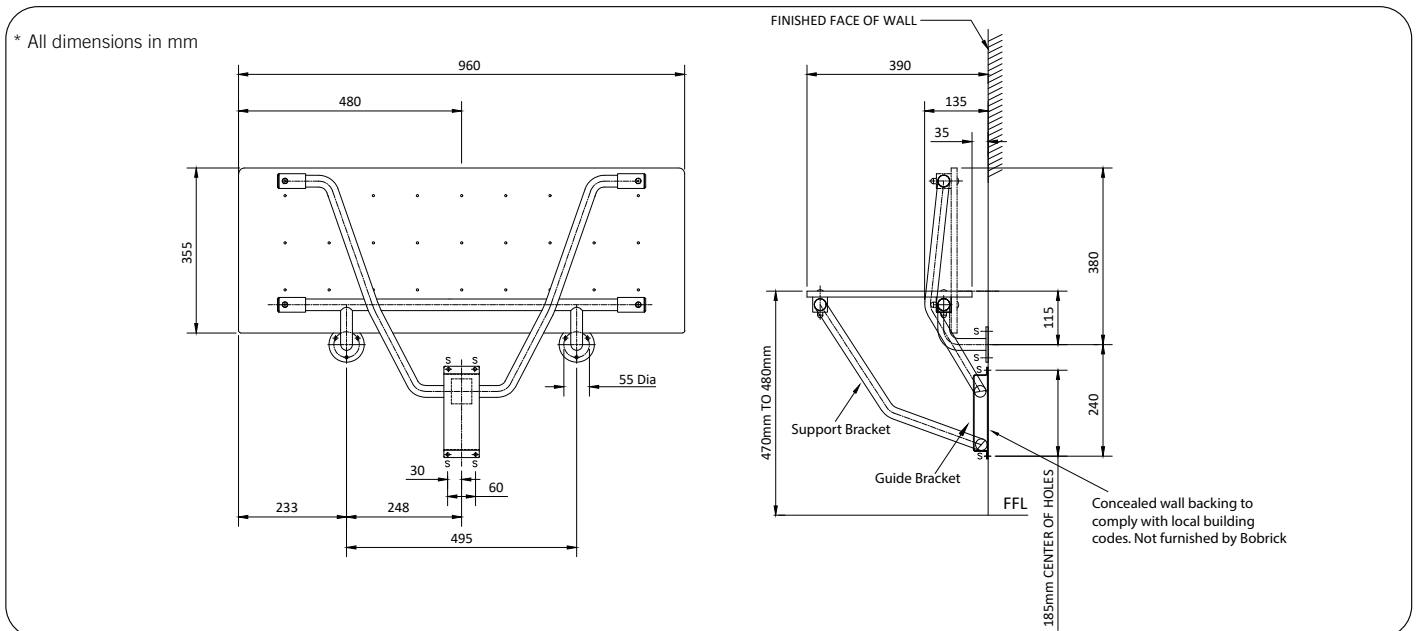
Related Products:

B819687 Accessible Compliant Folding Shower Seat

Installation

Warning: Folding Shower Seats are no stronger than the anchors or walls to which they are attached and therefore must be firmly secured in order to support the loads for which they are intended.

Important: Installation instructions and current rough-in details should be furnished with each fixture. Do not rough in without certified dimensions. Dimensions are subject to manufacturer's tolerance of +/-10mm.



As improvements in the design and performance of RBA products are continuous, specifications may be subject to change without notice. The illustrations and descriptions herein are applicable to production as of the date of this Technical Data Sheet. Revised 01/20 © 2020 by RBA Group TD/Model RBA4157-777-004/0120