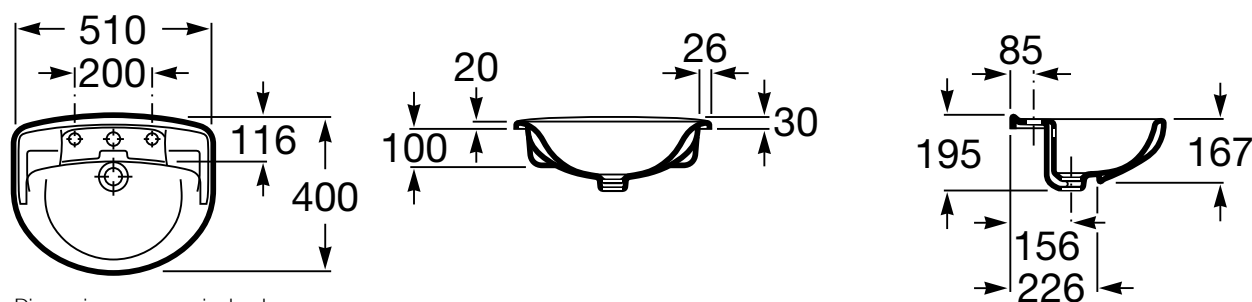


# ROCA

## VICTORIA SEMI RECESSED BASIN



Dimensions are nominal only

### SPECIFICATION

<b>Fixing Requirements</b>	Fixing clips supplied
<b>Integral Overflow</b>	Yes
<b>Tap Hole Availability</b>	1 or 3 tapholes
<b>Plug &amp; Waste</b>	Suits 32 x 40mm overflow waste
<b>Water Capacity</b>	5 litres
<b>Colour Availability</b>	White
<b>Template</b>	Supplied



To see the complete Roca range go to [www.reece.com.au/bathrooms](http://www.reece.com.au/bathrooms)

### FEATURES

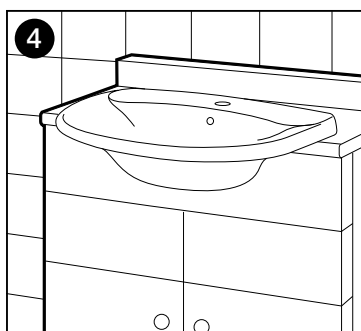
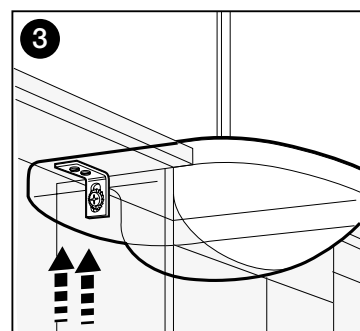
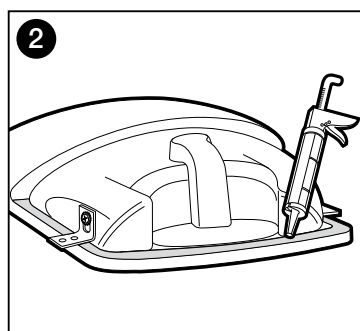
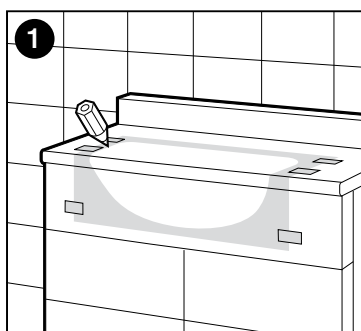
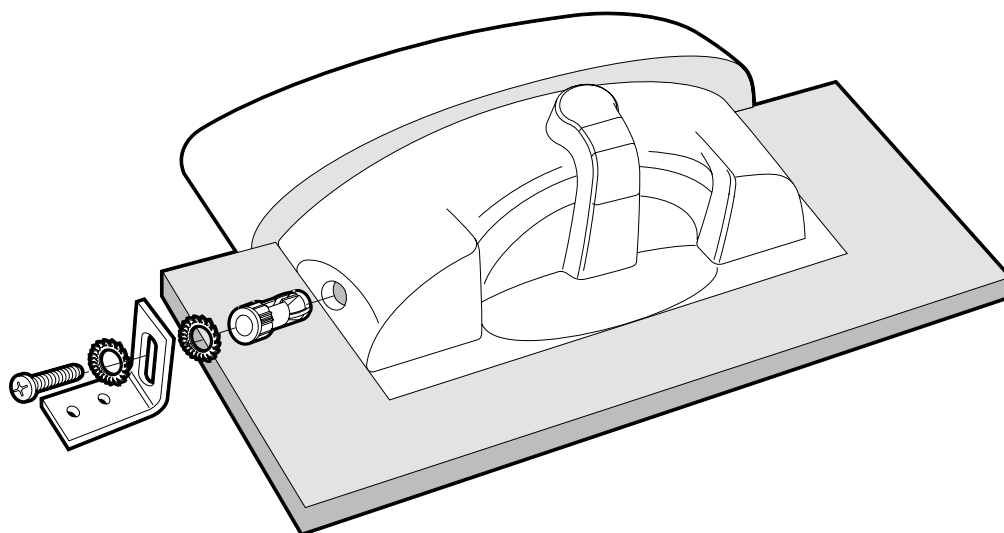
<b>Recommended Use</b>	Domestic, hotel or commercial
<b>Weight</b>	13.2kg

### CLEANING RECOMMENDATIONS

Soapy water or approved bathroom cleaners. This bathroom product should not be cleaned with abrasive materials. Damage caused by any improper treatment is not covered by the product warranty. Refer to Warranty Page for full Terms and Conditions.

# ROCA

## VICTORIA SEMI RECESSED BASIN



Plumbers, please ensure a copy of the installation instructions is left with the end user for future reference