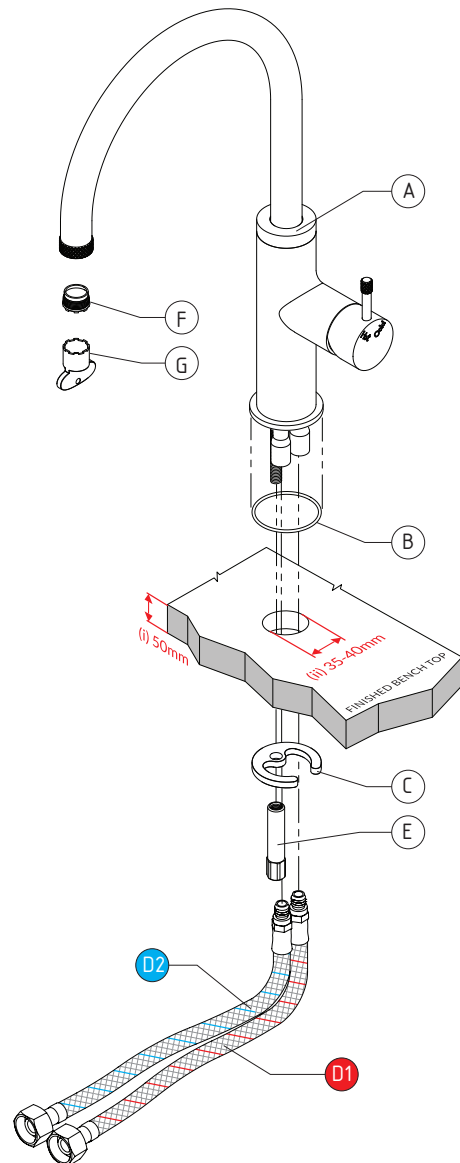


Scala Nova Sink Mixer

SUSSEX



Product code

SNSM.01

Install Preparation:

- The Mixer is supplied pre-assembled, the Fixing Nut (E) and Clamp (C) need to be temporarily removed prior to install.
- Maximum bench thickness is 50mm (i).
- Surface Clearance hole diameter is to be between 35 - 40mm (ii).

Product parts:

- (A) Mixer Assembly (Preassembled)
- (B) O-Ring
- (C) Clamp
- (D) Flexible hoses with 1/2" BSP Fittings with Conical Seals (D1= HOT, D2 = COLD)
- (E) Fixing Nut
- (F) Aerator
- (G) Aerator Key

Plumbers note:

- Tapware is to be installed by a Licensed Plumber in accordance with AS/NZS 3500:2021
- Recommended working water pressure 300 - 500 Kpa. Maximum water temperature is 65°C
- After installation, ensure that tapware functions correctly without leaks.
- Please ensure a copy of the Installation Instructions are left with the end user for future reference.

reece

www.reece.com.au

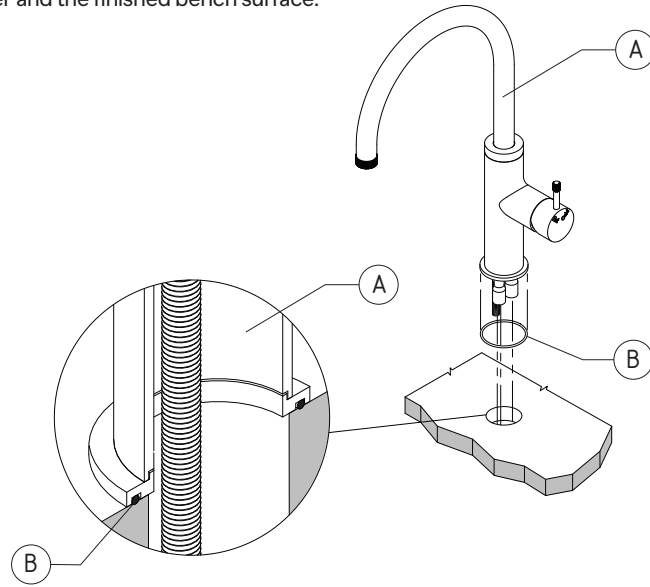
W
Lead Free
AS 3718
LIC. 20081

While we aim to ensure the specifications shown are correct at time of printing, Sussex Taps reserves the right to make modifications without prior notice. Always use the physical product for accurate measurements. Dimensions are subject to change without notice. All measurements are shown in millimetres. This product complies with lead free requirements.

Copyright © Sussex Taps

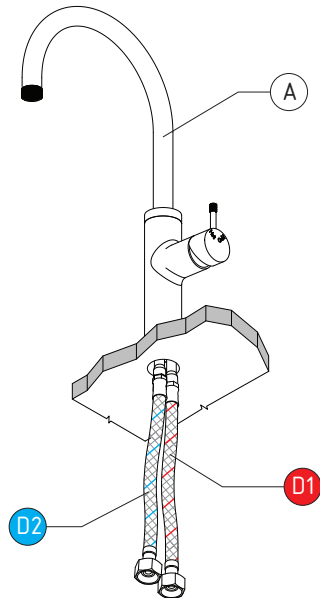
Step 1

Fit Sink Mixer Assembly (A) into clearance hole compressing the O-ring (B) between the Sink Mixer and the finished bench surface.



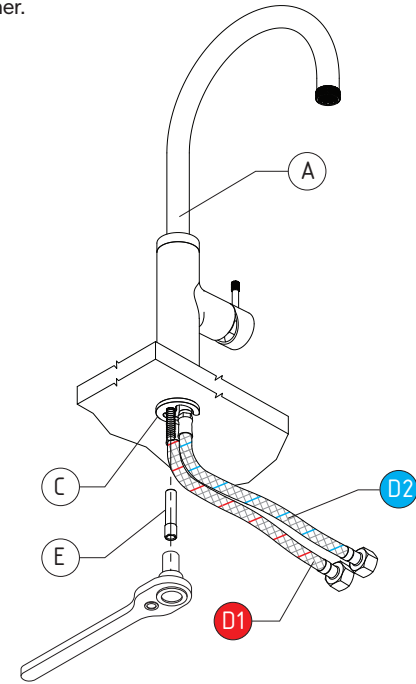
Step 2

Fit the Hot (D1) and Cold (D2) flexible hoses under the bench and affix to Sink Mixer Assembly (A). Tighten by hand, ensure the O-rings on the flexible hoses are properly seated.



Step 3

Fit the Clamp (C) into position under the bench. This component will slide over the threaded rod and the flexible Hoses (D1 and D2). Thread the Fixing nut onto the rod by hand and tighten with a socket wrench or tube spanner.



Step 4

Connect the Hot (D1) and Cold (D2) flexible hoses to 1/2" BSP pipework and tighten firmly with a spanner. Ensure hoses do not twist or kink during tightening. Sussex recommends using Stop Cocks/Mini Stops, however, these are not supplied. Test Mixer and Outlet function, check for leaks.

