

# mizu

## Mizu Drift MK2 Floor Mounted Bath Mixer Chrome Trim

9509530

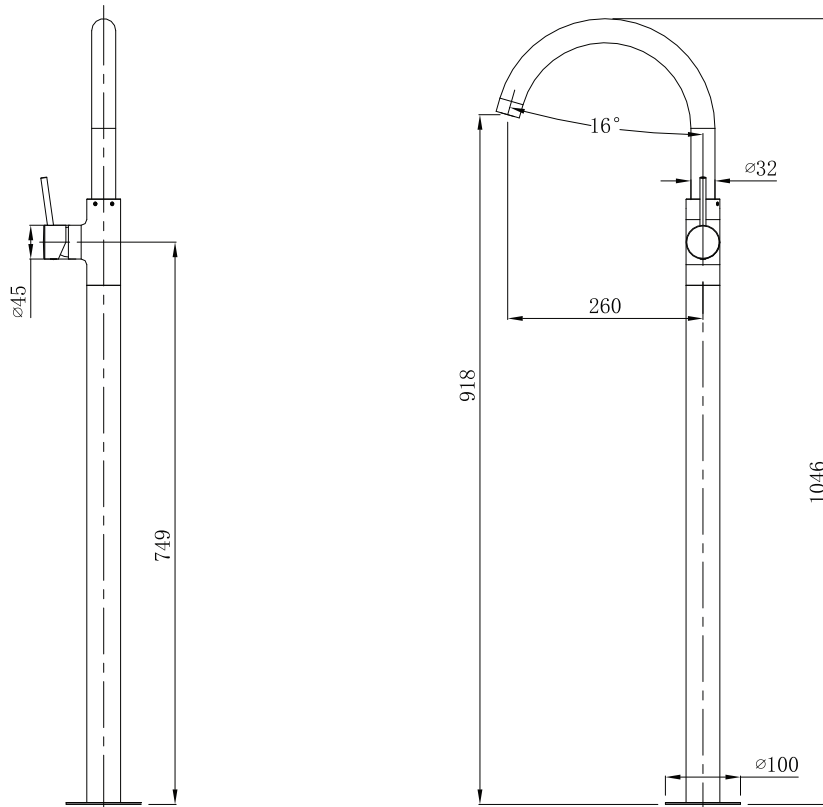
### SPECIFICATIONS

Recommended Use	Domestic, Hotel & Commercial
Colour	Chrome
Material	DR Brass
Recommended Pressure Range	150 - 800 kPa
Maximum Continuous Working Pressure	800 kPa
Maximum Continuous Working Temperature	70 deg C
Suitable for Storage Tank Hot Water	Yes
Suitable for Continuous Flow Hot Water	Yes
Suitable for Gravity Feed Hot Water	No

### WARRANTY

Warranty - Domestic Use	10 Years
Spare Parts & Labour	12 Months

Please refer to Warranty Page for full Terms and Conditions



Dimensions are nominal measurements only.

### CLEANING RECOMMENDATIONS:

We recommend the use of soapy water or approved cleaners. This product should not be cleaned with abrasive materials. Damage caused by any improper treatment is not covered by the product warranty. Refer to Warranty Conditions

**Disclaimer:** Products in this specification manual must by regulation be installed by licensed and registered trade people. The manufacturer/distributor reserves the right to vary specifications or delete models from their range without prior notification. Dimensions are nominal measurements only. Dimensions and set-outs listed are correct at time of publication however the manufacturer/distributor takes no responsibility for printing errors.

Published 14/09/2020

To see the complete Mizu range go to [www.reece.com.au/bathrooms](http://www.reece.com.au/bathrooms)



WaterMark  
AS/NZS 3718  
WM-022094

