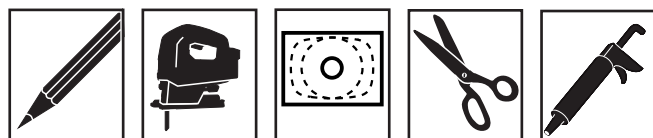
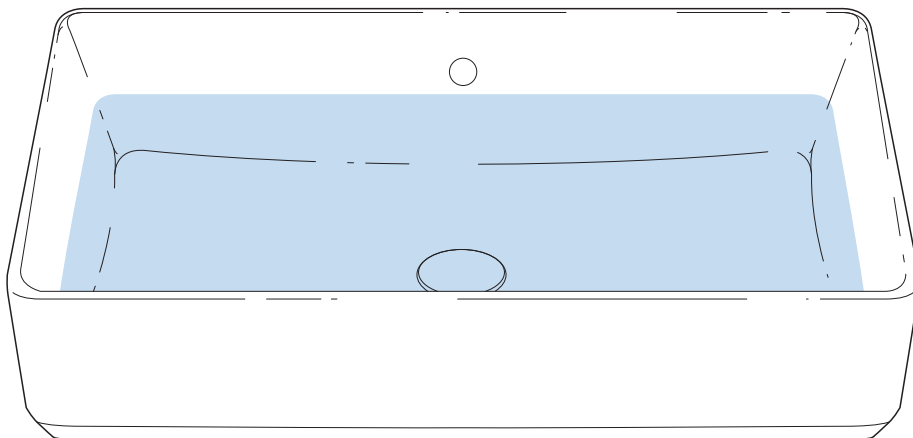
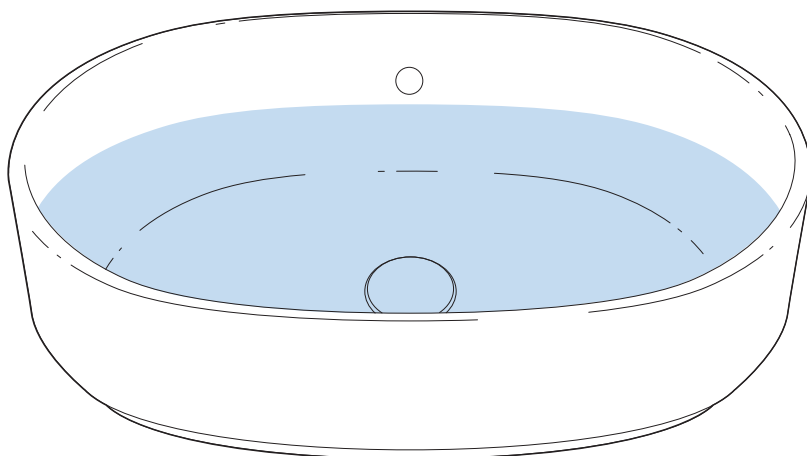
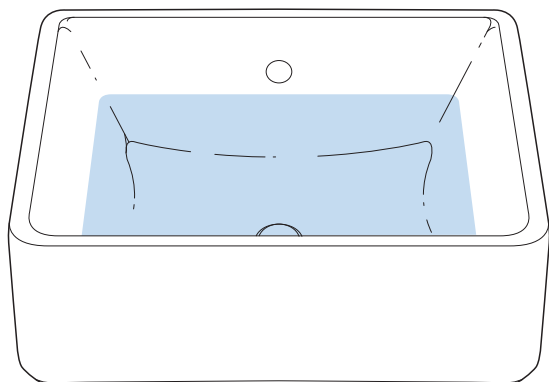
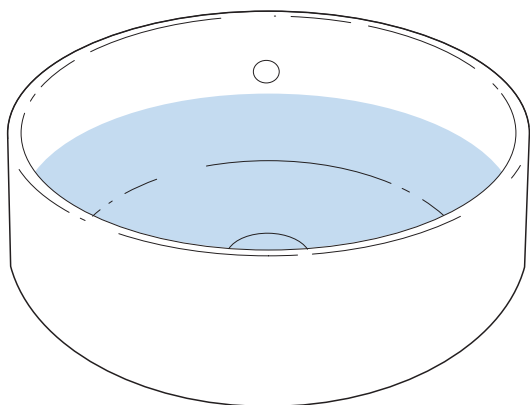
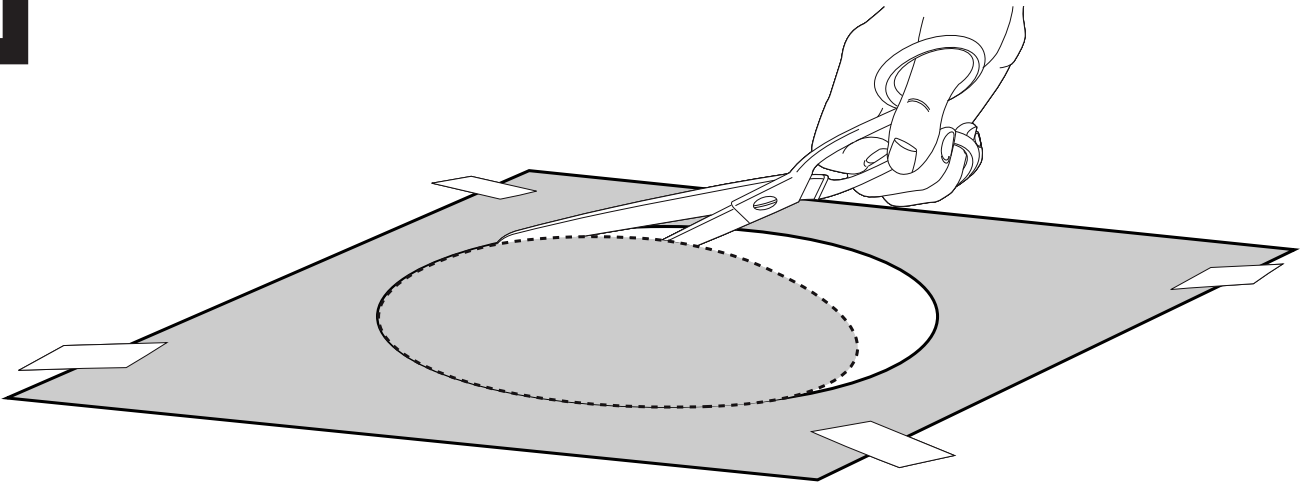




The Gap Counter Basins with Overflow

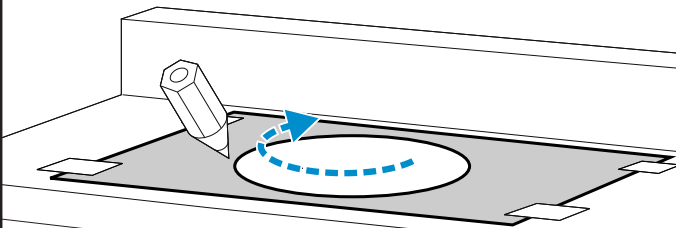


1

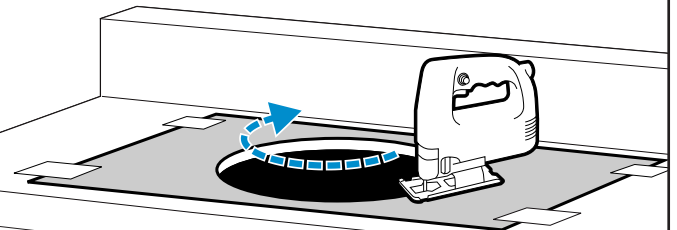


2

①



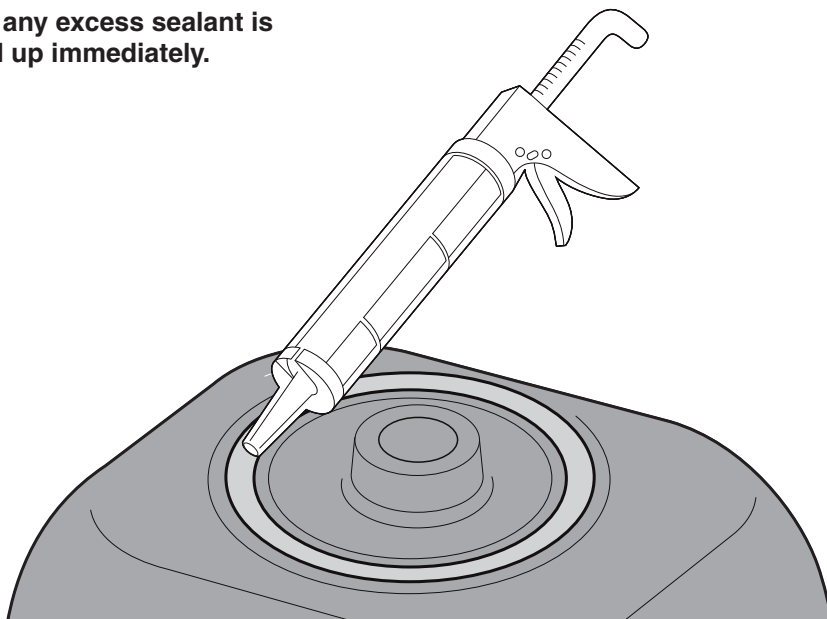
②



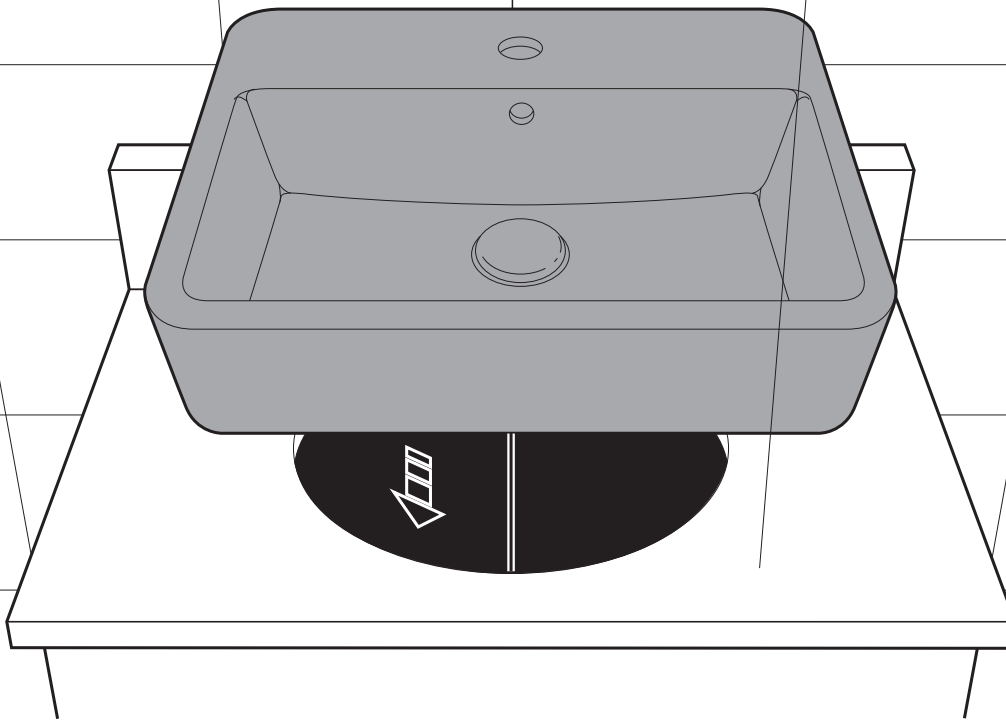
3



Ensure any excess sealant is cleaned up immediately.



4



Plumbers, please ensure a copy of the installation instruction is left with the end user for future reference.



Roca Sanitario, S.A.
Avda. Diagonal, 513
08029 Barcelona
SPAIN
www.roca.com

Date 15/05/2024



productsupport.rs@roca.net
soporteproducto.rs@roca.net

