

## Cygnets Close Couple Back to Wall Over Height Back Inlet Round Tank with SpaLet (4\*)

### SPECIFICATIONS

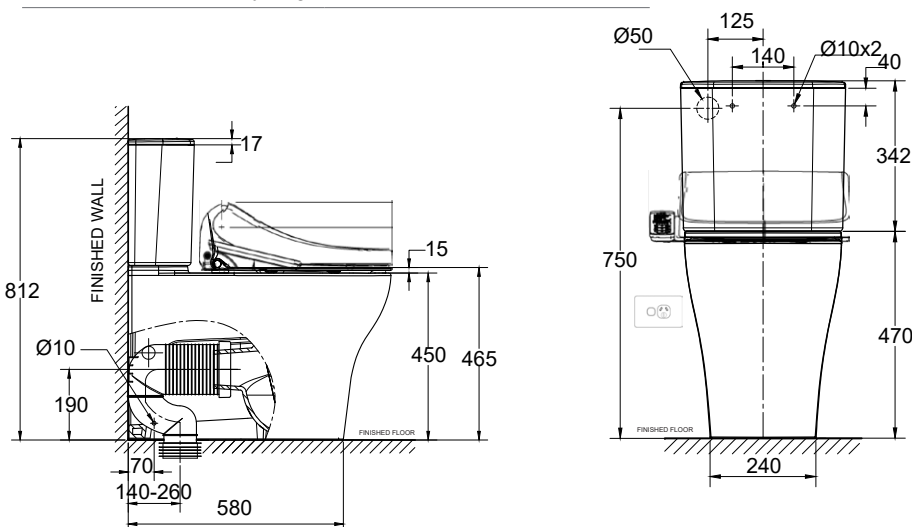
Recommended Use	Domestic, Hotel & Commercial
Material	Pan: Vitreous China Cistern: Vitreous China Seat: Urea
Colour	White
Weight	Pan: 42kg Cistern: 14.6kg Seat: 5.9kg
Water Inlet Position	Back Inlet
Inlet Valve Pressure Rating	500kPa
Outlet Type	Universal S & P P trap (converts to S trap using plastic s bend provided)
Pan Fixing	Screwed to the floor using bracket (supplied) and bedded with sealant.
Cistern Fixing	Bolted directly to Pan
Rim Configuration	Hygiene Rim
Technologies - e-bidet	- Adjustable seat and water temperature - Adjustable dryer temperature - Dual Nozzle - One touch power saver
S Trap Setout	140 - 260mm
P Trap Setout	190mm



### WARRANTY

Warranty - Domestic Use	10 Years VC, 2 Years SpaLet
Spare Parts & Labour	12 Months

Please refer to Warranty Page for full Terms and Conditions



Dimensions are nominal measurements only.

**Disclaimer:** Products in this specification manual must by regulation be installed by licensed and registered trade people. The manufacturer/distributor reserves the right to vary specifications or delete models from their range without prior notification. Dimensions are nominal measurements only. Dimensions and set-outs listed are correct at time of publication however the manufacturer/distributor takes no responsibility for printing errors.

Published 15/09/2022

