

GF Piping Systems

+GF+

Embrace the cold

COOL-FIT 4.0



Confident insulation

Efficient cooling processes are characterized by reliable installations and no maintenance times, zero system interruptions, and no energy loss. Choosing the right piping system can have a significant impact on these factors.

Cooling systems for industrial refrigeration, process cooling and HVAC consume large amounts of energy to maintain a constant system temperature. Selecting the appropriate piping system to support the cooling circuit is of utmost importance for operators who aim for an efficient and reliable cooling process. What should you consider in particular?

The two most important factors are the material and the insulation. With conventional metal installations, the risk of condensation and subsequent corrosion is exceptionally high. This risk also occurs to systems that have been post-insulated. The insulation material can be damaged during installation. Small gaps between the piping system and the insulation layer can occur and allow ice formation due to condensation and subsequent corrosion. In addition, post-insulation requires an extra work step.



Non-corrosive materials and vapor sealed insulation are of utmost importance for reliable and efficient piping systems in cooling applications.



COOL-FIT 4.0

Extreme reliability

The condensation and corrosion-free piping system for operations with no interruptions, zero maintenance, and highest efficiency.



System integrity

The complete product portfolio consists of pre-insulated pipes, fittings, valves, flexible hoses, and all tools necessary for a safe and reliable installation.



Efficient

High grade pre-insulation enhances energy efficiency (by 30%) with huge impact on costs and the planet's energy consumption.



Reliable and safe

Maintenance-free operation for safe production with plastic construction providing a 25-year minimum lifespan.



Corrosion-free

100% corrosion-free and longer lasting than metal alternatives. No incrustation for reliable long-term efficient operation, ensures safe and reliable precision cooling.



Fast and easy

Simple jointing with electrofusion and system-specific tools.



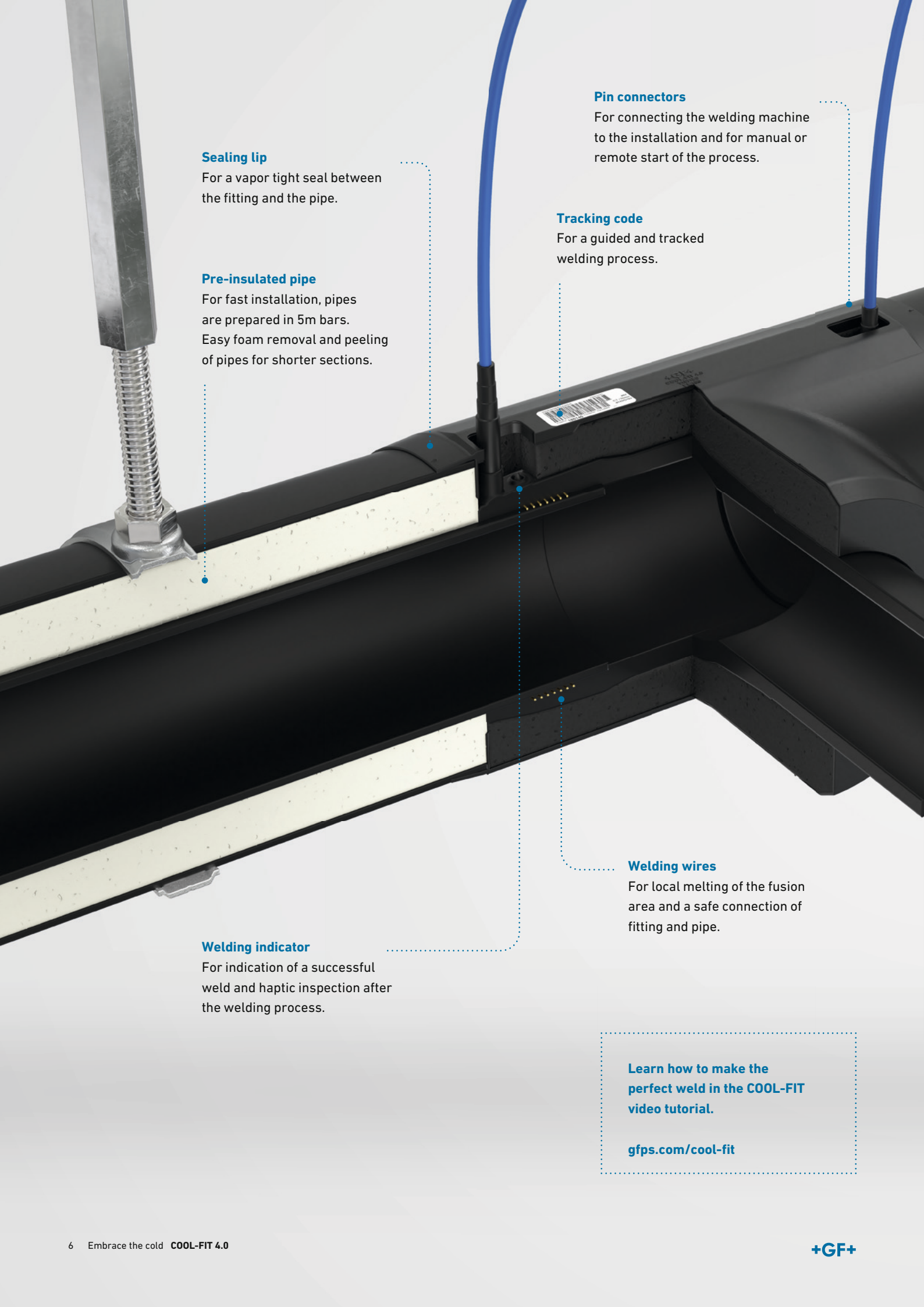
Lightweight

60% less weight than steel pipes per meter, allowing single-person installs.



Industry specific

Small and large diameters specifically focused on indoor and outdoor applications.



Sealing lip

For a vapor tight seal between the fitting and the pipe.

Pre-insulated pipe

For fast installation, pipes are prepared in 5m bars. Easy foam removal and peeling of pipes for shorter sections.

Pin connectors

For connecting the welding machine to the installation and for manual or remote start of the process.

Tracking code

For a guided and tracked welding process.

Welding wires

For local melting of the fusion area and a safe connection of fitting and pipe.

Welding indicator

For indication of a successful weld and haptic inspection after the welding process.

Learn how to make the perfect weld in the COOL-FIT video tutorial.

gfps.com/cool-fit



Pre-insulated fitting
For fast and easy installation thanks to pre-insulation.
No manual post-insulation required.

Fixation
For securing against dislocation during installation with appropriate clamping tool.

Electrofusion

Confident installation

One of the most significant benefits of COOL-FIT is the safe, simple, and fast installation by electrofusion. This jointing technology allows jointing within seconds.

In electrofusion, wires built into the fitting are locally heated through electric current, which causes the melting and fusion of the surrounding material. This jointing technology ensures a secure and reliable connection. In combination

with a pre-insulated fitting with sealing lip, continuous insulation is also guaranteed. Once the components are assembled and secured against dislocation, the installation can be connected to the electrofusion unit. From there, the unit takes over and gives step-by-step instructions on the process. The fusion itself only takes seconds, and the welding indicator indicates its success. All welding data is stored on the welding device and is available for documenting the project.

Extreme efficiency

COOL-FIT leads the way when it comes to energy-efficient cooling and helps you to work in a more environmentally friendly and energy-efficient manner.

The number of air conditioners in Europe will double by 2030, which leaves our industries with the challenge of rising energy demand. As a company that is active worldwide, it is GF Piping Systems' mission to show our commitment to sustainability by supporting our customers' success with innovative, energy-saving solutions making the collective global footprint more sustainable.

COOL-FIT environmental benefits

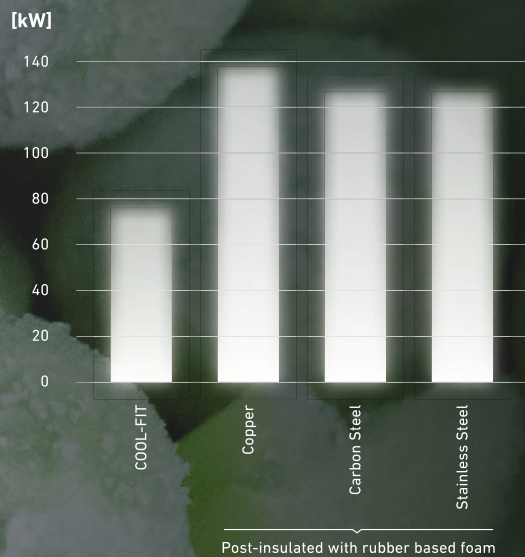
- Saves at least 30% of energy compared to traditional cooling systems, drastically reducing operating costs and CO₂ emissions.
- Non-corrosive, with at least 25-year lifetime leading to additionally saved resources related to maintenance, repairs and replacements.
- Helps achieve relevant green building declarations like DGNB, BREEAM, and LEED.
- Free of HBCD, halogens and halogenated blowing agents. It contains no chlorinated paraffins and neither lead nor tin.
- Contains no other substance of very high concern according to the REACH criteria of the European Chemicals Agency or any candidate substance.
- Strict quality management (ISO 9001) and health and safety management (OHSAS 18001) during production. GF Piping Systems is certified according to ISO 14001 for its environmental management system.



COOL-FIT for the environment

COOL-FIT helps to reduce the environmental impact of your cooling- and refrigeration application.

Compared to post-insulated metal systems, COOL-FIT is considerably more environmentally friendly and helps for operations to be more energy-efficient. For example: a cold store uses 1500 meters of piping to transport liquid for the cooling system. COOL-FIT releases about 100 tons carbon dioxide less than a metal system during production and operation. This saving is equivalent to a journey of 446'000 kilometers by car.



30%

energy savings compared to traditional cooling systems, drastically reducing operating costs and CO₂ emissions.

Portfolio

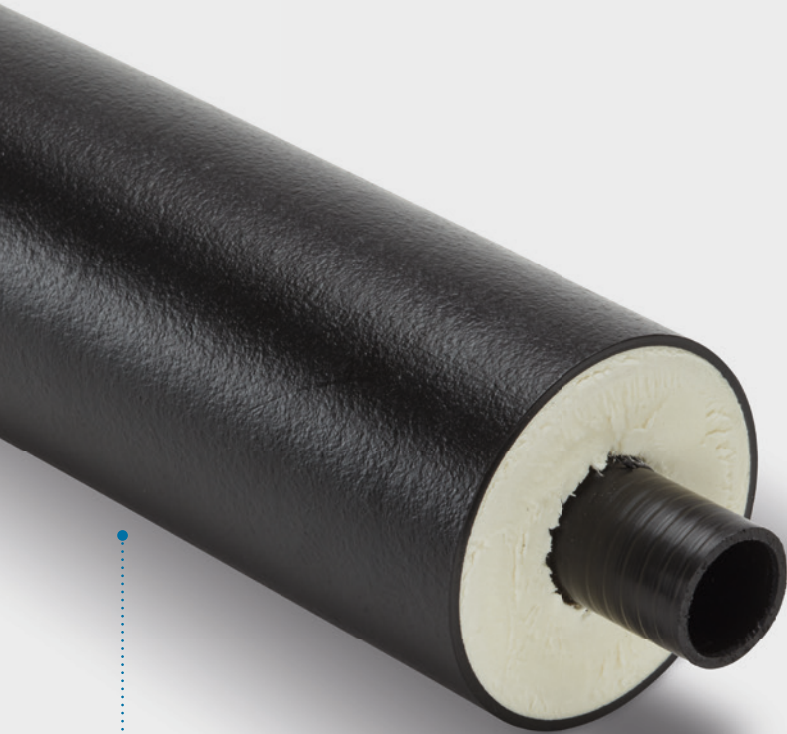
Complete system integrity

With COOL-FIT, GF Piping Systems offers a unique, top-notch piping system solution, including pre-insulated pipes, fittings, valves, flexible hoses, and tools. The system is available in a standard version or with a higher fire classification (COOL-FIT 4.0F), to withstand even harsher conditions.



Pre-insulated valves

GF Piping Systems' pre-insulated valves are an integral part of the COOL-FIT system and ensure an efficient cooling process. Pre-insulated valves ensure that the entire piping system is thoroughly insulated and perfectly sealed.



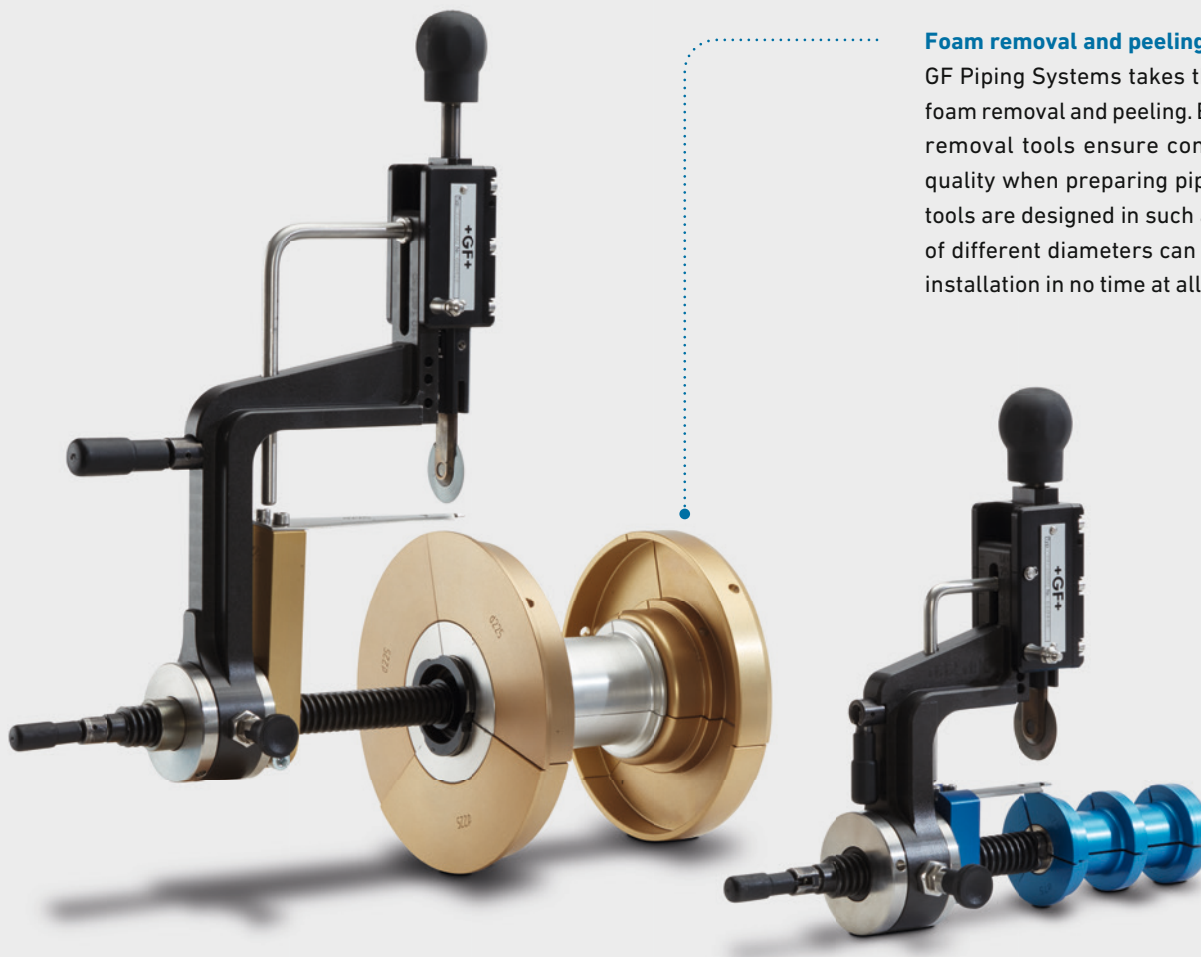
Pre-insulated pipes

Easy to join and install, lightweight pre-insulated pipes help to minimize energy loss and reduce long-term running costs. Insulated with high-energy efficient foam, they are ideal for both new construction and retrofitting.



Pre-insulated fittings

When creating branch lines, pre-insulated tee fittings make installation much easier. The fittings cover multiple dimension possibilities including various reductions.



Foam removal and peeling tools

GF Piping Systems takes the hassle out of foam removal and peeling. Easy to use foam removal tools ensure consistent peeling quality when preparing pipe surfaces. The tools are designed in such a way that pipes of different diameters can be prepared for installation in no time at all.

System properties

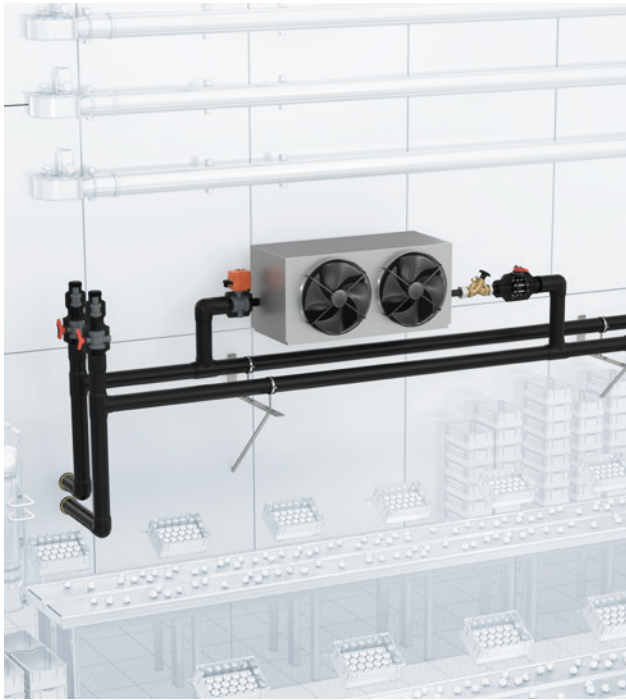
		COOL-FIT 4.0	COOL-FIT 4.0F
Materials *	Medium pipe	PE100	PE100
	Insulation	GF HE foam, halogen-free, closed-cell	GF HE foam, halogen-free, closed-cell
	Outer jacket	Pipe: HDPE, Fitting: GF-HE	Flame retardant - GF-FR
Dimensions		d32 mm (DN25) – d450 mm (DN450)	d160mm (DN150) - d225mm (DN200)
Connection technology		Electrofusion	Electrofusion
Nominal pressure	16 bar, SDR 11	d32 DN25 – d450 DN450	–
	10 bar, SDR 17	d160 DN150 – d450 DN450	d160 DN150 + d225 DN200
Insulation	Thermal conductivity λ at 20°C	≤ 0.022 W/mK (d32 – d110), ≤ 0.026 W/mK (d160 – d450)	≤ 0.026 W/mK
	Density	≥ 70 kg/m ³	≥ 70 kg/m ³
	Foam cell size	max. \varnothing 0.5 mm	max. \varnothing 0.5 mm
	Nominal thickness	40 mm	40 mm
Temperature	Medium	– 50 °C to +60 °C	0 °C to +60 °C
Weight (without medium)	Pipe d32 mm	1.39 kg/m	
	Pipe d225 mm	16.42 kg/m	19.84 kg/m
Environment	Resistance	Moisture- and vapor-tight	Moisture- and vapor-tight
	Ozone Depletion Potential (ODP)	Zero	Zero
Standards	EN ISO 15494	Plastic piping systems for industrial applications – Metric series	Plastic piping systems for industrial applications – Metric series
	ISO 7	Fittings	Fittings
	EN ISO 16135, EN ISO 16138	Industrial valves	Industrial valves
Fire classification	EN 13501-1	E	B-s2, d0

* All three materials are firmly bonded together.

Applications

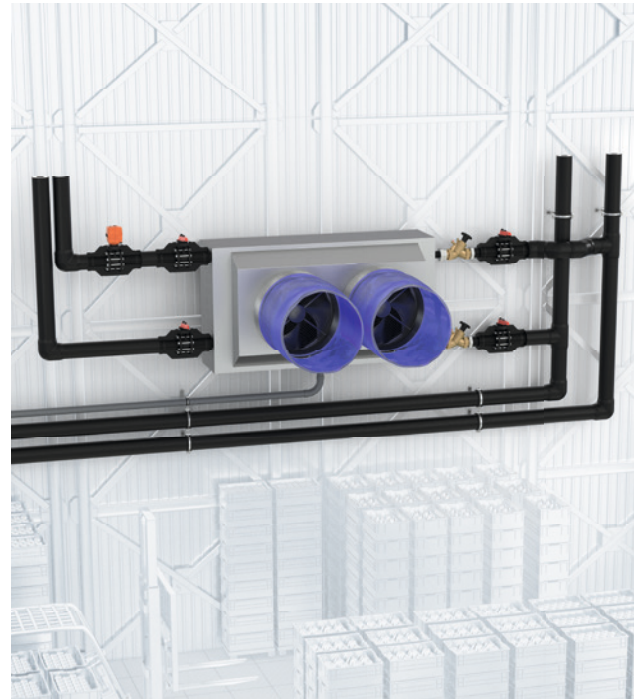
Commercial and industrial refrigeration

COOL-FIT 4.0 optimizes any commercial or industrial refrigeration set-up in food and beverage applications and improves your HVAC installation.



Food and beverage production

During the manufacturing and processing of food and beverages, reliable cooling is essential for production that is both faultlessly hygienic and economically efficient.



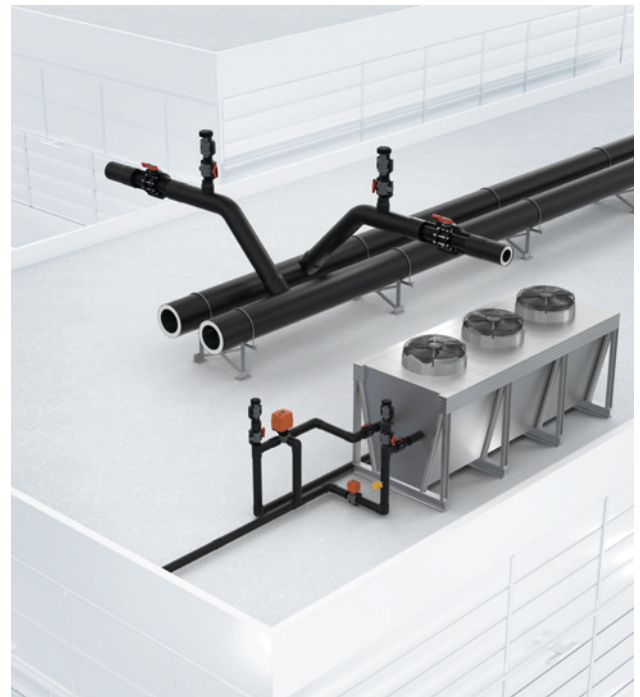
Cold stores

In cold stores, system reliability determines the preservation of the stock and the economic foundation of the company.



Wineries and breweries

Corrosion resistance is particularly vital in cooling processes of beverage production because of the constant use of water and liquid primary products.



Outdoor installation

Parts of cooling and refrigeration systems are often relocated outdoors and on roofs, eg. Data Centers. Thanks to COOL-FIT 4.0's lightweight and robustness, rooftop installations are compatible with the statics of buildings and the installation is weatherproof, and resistant to UV radiation.

One partner from planning to commissioning

With Specialized Solutions, GF Piping Systems supports the design and installation of state of the art plastic piping systems, so that owners and planners can concentrate on their daily business without interruption. GF Piping Systems is present every step of the way, from providing planning support on new projects to testing the condition of old systems.

More information at
gfps.com/specialized-solutions



Custom Product Design and Prefabrication

Having your individual needs and application in focus, our customizing teams forge the solution that fits you best, developing custom-made parts to complete systems or special solutions produced in small series, individual consulting and off-site prefabrication. Through our global network of flexible locations, we offer a wide range of comprehensive solutions. Tailored innovation, inspired by you.



Digital Libraries

The libraries cover three key areas for designing, creating, and maintaining a project: Building Information Modeling, the Plant Design Software, and the CAD Library helping you reduce costs and construction times while ensuring design accuracy and integrity. Reduce time and effort while ensuring design accuracy and integrity.





Engineering

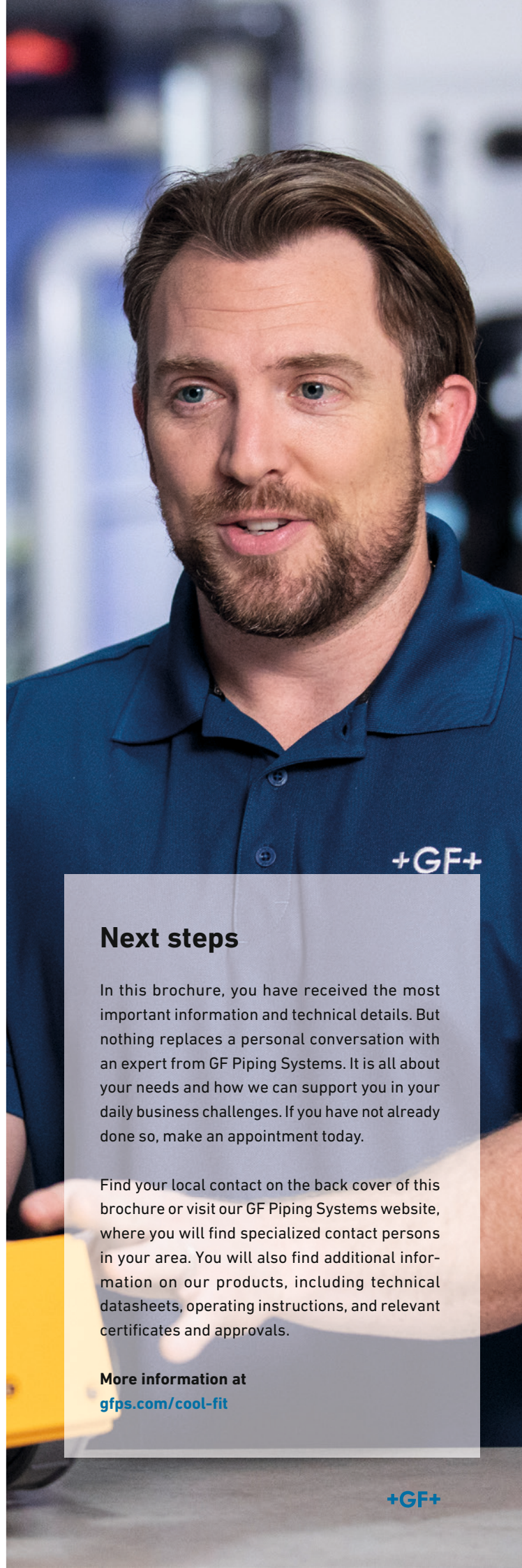
Increase the efficiency of your project with tailor-made analysis packages from GF Piping Systems. Minimize project risks by diminishing incorrect calculations or wrong material selection. Rely on GF's experience in fast project implementation and choose our durable, safe, and reliable piping systems delivery. Established knowledge, guiding you through.



Cooling Tool-Box

The cooling calculation tool from GF Piping Systems supports the dimensioning and design of the secondary circuit. The cooling calculation tool includes calculation functions for expansion/ contraction, energy saving, surface temperatures, pipe dimensioning, pressure losses, CO2 footprint, and many more.

Use the online calculator
gfps.com/cooling-tools



Next steps

In this brochure, you have received the most important information and technical details. But nothing replaces a personal conversation with an expert from GF Piping Systems. It is all about your needs and how we can support you in your daily business challenges. If you have not already done so, make an appointment today.

Find your local contact on the back cover of this brochure or visit our GF Piping Systems website, where you will find specialized contact persons in your area. You will also find additional information on our products, including technical datasheets, operating instructions, and relevant certificates and approvals.

More information at
gfps.com/cool-fit

Worldwide at home

Our sales companies and representatives ensure local customer support in more than 100 countries.

www.gfps.com

Argentina / Southern South America
Georg Fischer Central Plastics Sudamérica S.R.L.
Buenos Aires / Argentina
Phone +54 11 4512 02 90
gfcentral.ps.ar@georgfischer.com
www.gfps.com/ar

Australia
Georg Fischer Pty Ltd
Riverwood NSW 2210
Phone +61 (0) 2 9502 8000
australia.ps@georgfischer.com
www.gfps.com/au

Austria
Georg Fischer Rohrleitungssysteme GmbH
3130 Herzogenburg
Phone +43 (0) 2782 856 43-0
austria.ps@georgfischer.com
www.gfps.com/at

Belgium / Luxembourg
Georg Fischer NV/SA
1600 Sint-Pieters-Leeuw / Belgium
Phone +32 (0) 2 556 40 20
Fax +32 (0) 2 524 34 26
be.ps@georgfischer.com
www.gfps.com/be

Brazil
Georg Fischer Sist. de Tub. Ltda.
04571-020 São Paulo/SP
Phone +55 (0) 11 5525 1311
br.ps@georgfischer.com
www.gfps.com/br

Canada
Georg Fischer Piping Systems Ltd
Mississauga, ON L5T 2B2
Phone +1 (905) 670 8005
Fax +1 (905) 670 8513
ca.ps@georgfischer.com
www.gfps.com/ca

China
Georg Fischer Piping Systems Ltd
Shanghai 201319
Phone +86 21 3899 3899
china.ps@georgfischer.com
www.gfps.com/cn

Denmark / Iceland
Georg Fischer A/S
2630 Taastrup / Denmark
Phone +45 (0) 70 22 19 75
info.dk.ps@georgfischer.com
www.gfps.com/dk

Finland
Georg Fischer AB
01510 Vantaa
Phone +358 (0) 9 586 58 25
Fax +358 (0) 9 586 58 29
info.fi.ps@georgfischer.com
www.gfps.com/fi

France
Georg Fischer SAS
95932 Roissy Charles de Gaulle Cedex
Phone +33 (0) 1 41 84 68 84
fr.ps@georgfischer.com
www.gfps.com/fr

Germany
Georg Fischer GmbH
73095 Albershausen
Phone +49 (0) 7161 302 0
info.de.ps@georgfischer.com
www.gfps.com/de

India
Georg Fischer Piping Systems Pvt. Ltd
400 083 Mumbai
Phone +91 22 4007 2000
Fax +91 22 4007 2020
branchoffice@georgfischer.com
www.gfps.com/in

Indonesia
PT Georg Fischer Indonesia
Karawang 41371, Jawa Barat
Phone +62 267 432 044
Fax +62 267 431 857
indonesia.ps@georgfischer.com
www.gfps.com/id

Italy
Georg Fischer S.p.A.
20864 Agrate Brianza (MB)
Phone +39 02 921 86 1
Fax +39 02 921 86 24 7
it.ps@georgfischer.com
www.gfps.com/it

Japan
Georg Fischer Ltd
530-0003 Osaka
Phone +81 (0) 6 6341 2451
jp.ps@georgfischer.com
www.gfps.com/jp

Korea
Georg Fischer Korea Co. Ltd
Unit 2501, U-Tower
120 Heungdeok Jungang-ro
(Yeongdeok-dong)
Giheung-gu, Yongin-si, Gyeonggi-do
Phone +82 31 8017 1450
Fax +82 31 217 1454
kor.ps@georgfischer.com
www.gfps.com/kr

Malaysia
Georg Fischer (M) Sdn. Bhd.
41200 Klang, Selangor Darul Ehsan
Phone +60 (0) 3 3122 5585
Fax +60 (0) 3 3122 5575
my.ps@georgfischer.com
www.gfps.com/my

Mexico / Northern Latin America
Georg Fischer S.A. de C.V.
CP 66603 Apodaca, Nuevo León / Mexico
Phone +52 (81) 1340 8586
Fax +52 (81) 1522 8906
mx.ps@georgfischer.com
www.gfps.com/mx

Middle East
Georg Fischer Piping Systems (Switzerland) Ltd
Dubai / United Arab Emirates
Phone +971 4 289 49 60
gcc.ps@georgfischer.com
www.gfps.com/int

Netherlands
Georg Fischer N.V.
8161 PA Epe
Phone +31 (0) 578 678 222
nl.ps@georgfischer.com
www.gfps.com/nl

New Zealand
Georg Fischer Ltd
5018 Upper Hutt
Phone +04 527 9813
Fax +04 527 9834
nz.ps@georgfischer.com
www.gfps.com/nz

Norway
Georg Fischer AS
1351 Rud
Phone +47 67 18 29 00
no.ps@georgfischer.com
www.gfps.com/no

Philippines
George Fischer Pte. Ltd.
Philippines Representative Office
1500 San Juan City
Phone +632 571 2365
Fax +632 571 2368
sgp.ps@georgfischer.com
www.gfps.com/sg

Poland
Georg Fischer Sp. z o.o.
05-090 Sekocin Nowy
Phone +48 (0) 22 31 31 0 50
poland.ps@georgfischer.com
www.gfps.com/pl

Romania
Georg Fischer Piping Systems (Switzerland) Ltd
020257 Bucharest - Sector 2
Phone +40 (0) 21 230 53 80
ro.ps@georgfischer.com
www.gfps.com/int

Russia
Georg Fischer Piping Systems (Switzerland) Ltd
Moscow 125040
Phone +7 495 748 11 44
ru.ps@georgfischer.com
www.gfps.com/ru

Singapore
Georg Fischer Pte Ltd
528 872 Singapore
Phone +65 6747 0611
Fax +65 6747 0577
sgp.ps@georgfischer.com
www.gfps.com/sg

Spain / Portugal
Georg Fischer S.A.
28046 Madrid / Spain
Phone +34 (0) 91 781 98 90
es.ps@georgfischer.com
www.gfps.com/es

Sweden
Georg Fischer AB
117 43 Stockholm
Phone +46 (0) 8 506 775 00
info.se.ps@georgfischer.com
www.gfps.com/se

Switzerland
Georg Fischer Rohrleitungssysteme (Schweiz) AG
8201 Schaffhausen
Phone +41 (0) 52 631 3026
ch.ps@georgfischer.com
www.gfps.com/ch

Taiwan
Georg Fischer Co. Ltd
San Chung Dist., New Taipei City
Phone +886 2 8512 2822
Fax +886 2 8512 2823
www.gfps.com/tw

United Kingdom / Ireland
George Fischer Sales Limited
Coventry, CV2 2ST / United Kingdom
Phone +44 (0) 2476 535 535
uk.ps@georgfischer.com
www.gfps.com/uk

USA / Caribbean
Georg Fischer LLC
92618 Irvine, CA / USA
Phone +1 714 731 8800
Fax +1 714 731 6201
us.ps@georgfischer.com
www.gfps.com/us

Vietnam
George Fischer Pte Ltd
Representative Office
Ho Chi Minh City
Phone +84 28 3948 4000
Fax +84 28 3948 4010
sgp.ps@georgfischer.com
www.gfps.com/vn

International
Georg Fischer Piping Systems (Switzerland) Ltd
8201 Schaffhausen / Switzerland
Phone +41 (0) 52 631 3003
Fax +41 (0) 52 631 2893
info.export@georgfischer.com
www.gfps.com/int

The information and technical data (altogether "Data") herein are not binding, unless explicitly confirmed in writing. The Data neither constitutes any expressed, implied or warranted characteristics, nor guaranteed properties or a guaranteed durability. All Data is subject to modification. The General Terms and Conditions of Sale of Georg Fischer Piping Systems apply.

