



Backflow Prevention

350A Series DCV

100-200mm

Application

Designed for installation on potable water lines to protect against both backsiphonage and backpressure of polluted water into the potable water supply. The Model 350A shall provide protection where a potential health hazard exists (Medium Hazard).



LEAD FREE



Standards Compliance

Australian Watermark and Standards Mark
UL Classified
FM Approved



WATERMARK
AS/NZS 2845.1
LIC. WMKA1379



STANDARDS MARK
AS/NZS 2845.1
LIC. SMK1379

Materials

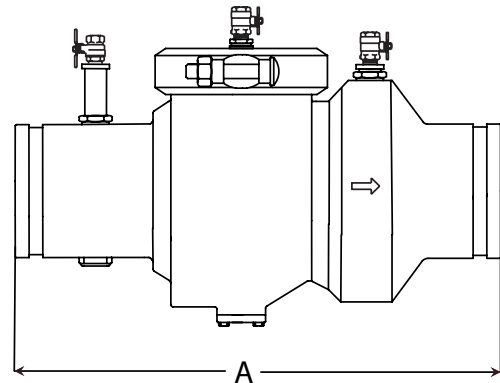
Main Valve Body	Ductile Iron ASTM A536 Grade 4
Access Covers	Ductile Iron ASTM A536 Grade 4
Coatings	Fusion Epoxy
Fasteners	Stainless Steel 304
Internals	Stainless Steel 304
Seal Ring	EPDM
O-ring	Buna Nitrile
Springs	Stainless Steel 17-7

Operating Parameters

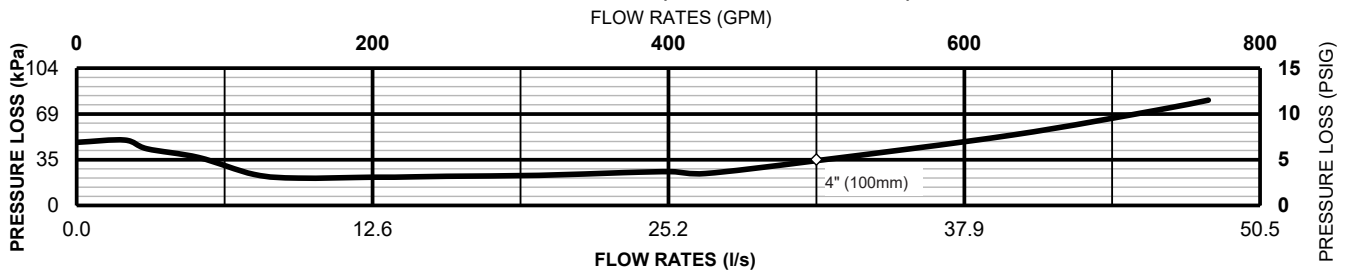
Max. Working Water Pressure	1200kPa
Max. Working Temperature	60°C
Hydrostatic Test Pressure	2400kPa
End Connections	Grooved, AWWA C606

Dimensions & Weights (do not include pkg.)

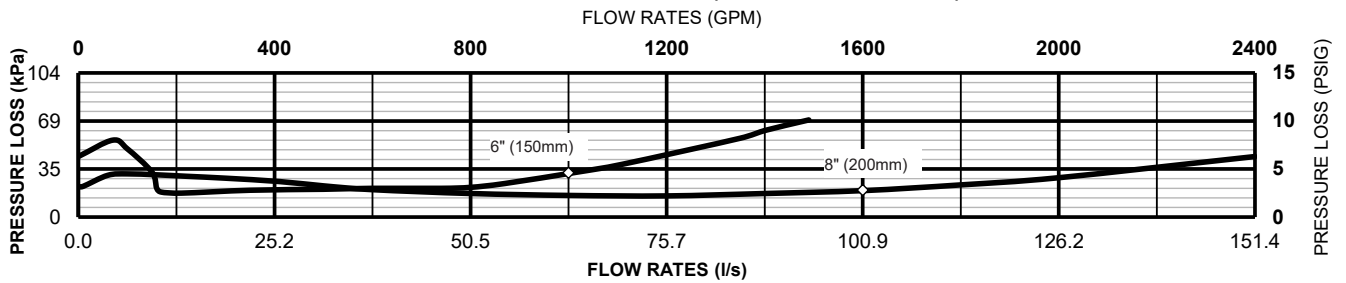
VALVE SIZE mm	REECE CODE	ZURN CODE	DIMENSIONS (approximate) A mm	WEIGHT Kg
100	4000017	4-350ALBS	505	34
150	4000049	6-350ALBS	657	57
200	4000082	8-350ALBS	978	130



MODEL 350A 100mm (STANDARD & METRIC)



MODEL 350A 150mm & 200mm (STANDARD & METRIC)



Note: The pressure losses depicted in the tables are for the device only and not the complete assembly.

Typical Installation

Local codes shall govern installation requirements. To be installed in accordance with the manufacturers' instructions and the latest edition of the Plumbing Code of Australia and/or AS/NZS 3500. Unless otherwise specified, the assembly shall be mounted at a minimum of 12" (305mm) and a maximum of 30" (762mm) above adequate drains with sufficient side clearance for testing and maintenance. If installed below grade, be certain adequate drainage is provided to prevent the device from being submerged.