



# **VADA** **COMMERCIAL** **MACERATORS** **AND LIFTING** **STATION**



**Reece Product Quality Guarantee**  
All products enjoy a product replacement warranty.  
For full warranty details visit  
[www.reece.com.au/productquality](http://www.reece.com.au/productquality)

**When absolute performance is required, the Vada Commercial Macerators and Lifting Station range delivers.**

**Including the ever-reliable lifting station, as well as a single and dual motor macerator to suit a wide variety of commercial applications. Compact and simple to install, Vada Commercial macerators is the go-to choice.**

# Commercial Lifting Station

Vada Commercial Lifting Station is the ideal solution for low to medium use laundry and kitchens.

### Possible Connections

Dishwasher, washing machine, kitchen sink, shower, vanity basin, bath.

### Vertical Pumping Height

Up to 7m

### Horizontal Pumping Distance

Up to 100m at 1% grade (refer to pumping graph below)

### Recommended Discharge Pipe Diameter

DN25 uPVC Pressure Pipe

### Normal Operating Temperature

35°C and max 75°C for short periods

### Electrical Power Supply

220-240V / 50Hz

### Motor Power Rating

400W

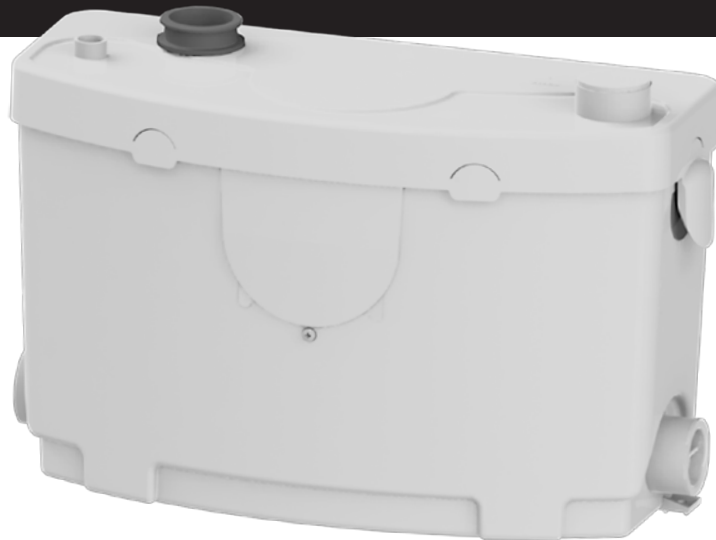
### Carbon Filter

Optional

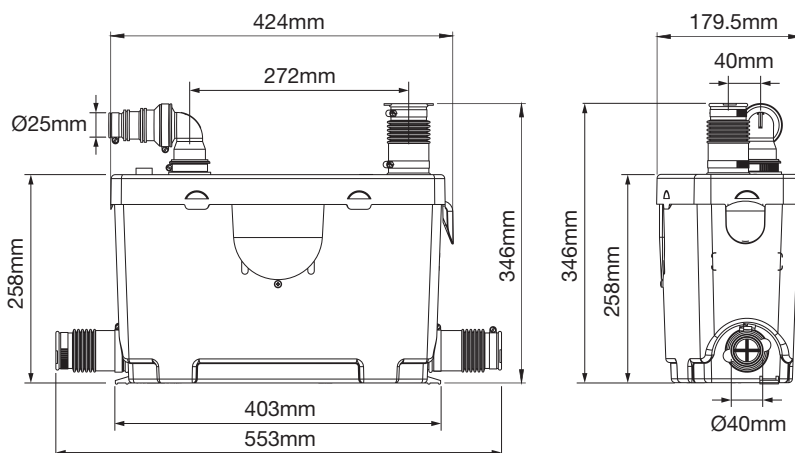
### Overall Measurements (W X H X D)

424 x 258 x 179.5mm

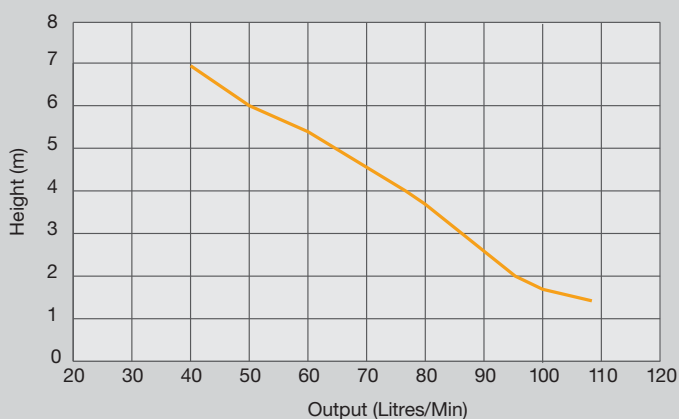
All horizontal pipework requires a minimum of 1:100 fall



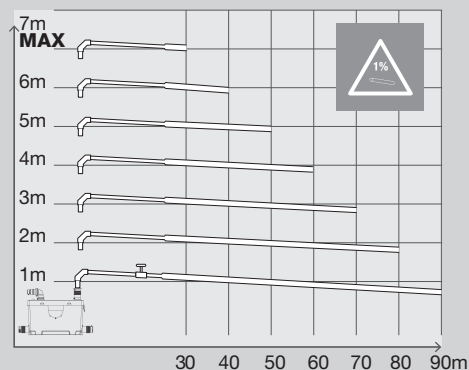
### Product Dimensions



### Flow Rate Performance



### Pumping Distance Performance



Pipe size must be increased by 1 size minimum after the first 5 meters of horizontal run



# Commercial Macerator

Vada Commercial Macerator is engineered to handle heavy-duty commercial situations. With the ability to accept up to four fixtures, the Vada Commercial Macerator is ideal in hospitality environments or large domestic renovations.

## Possible Connections

WC, vanity basin, shower, bidet

## Vertical Pumping Height

Up to 7m

## Horizontal Pumping Distance

Up to 100m at 1% grade  
(refer to pumping graph below)

## Recommended Discharge Pipe Diameter

DN20 uPVC Pressure Pipe

## Normal Operating Temperature

35°C and max 40°C

## Electrical Power Supply

220-240V / 50Hz

## Motor Power Rating

600W

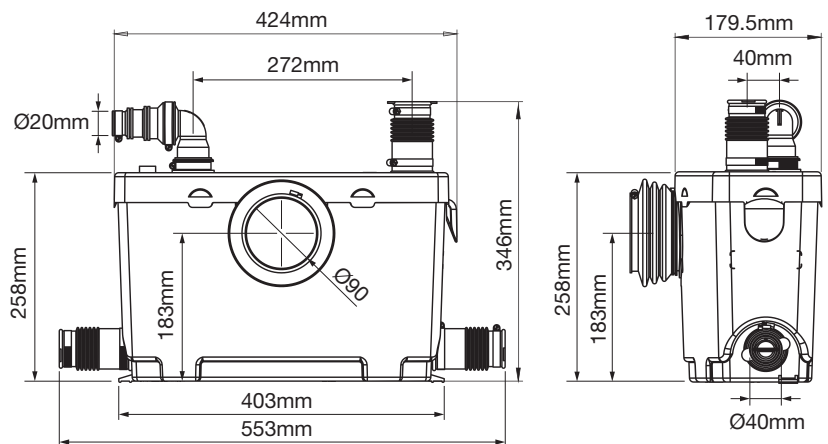
## Overall Measurements (W X H X D)

424 x 258 x 179.5mm

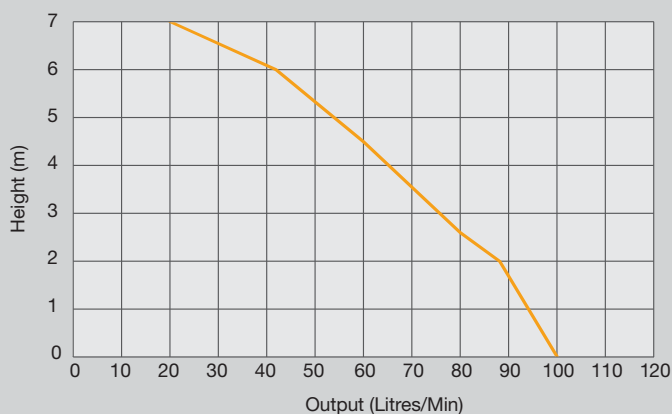
All horizontal pipework requires a minimum of 1:100 fall



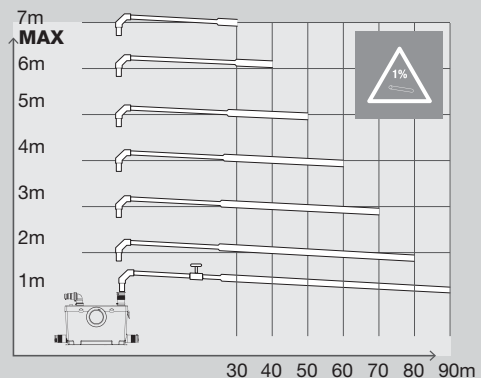
## Product Dimensions



## Flow Rate Performance



## Pumping Distance Performance



Pipe size must be increased by 1 size minimum after the first 5 meters of horizontal run







**Reece. Works for you.™**

Call **1800 032 566** or visit **www.reece.com.au**

Due to limitations in the printing process the colours in this brochure are a guide only. The manufacturer/distributor reserves the right to vary specifications or delete models from their range without prior notification. The manufacturer/distributor takes no responsibility for printing errors.

V3 [BROCHURE CODE 2131447]

