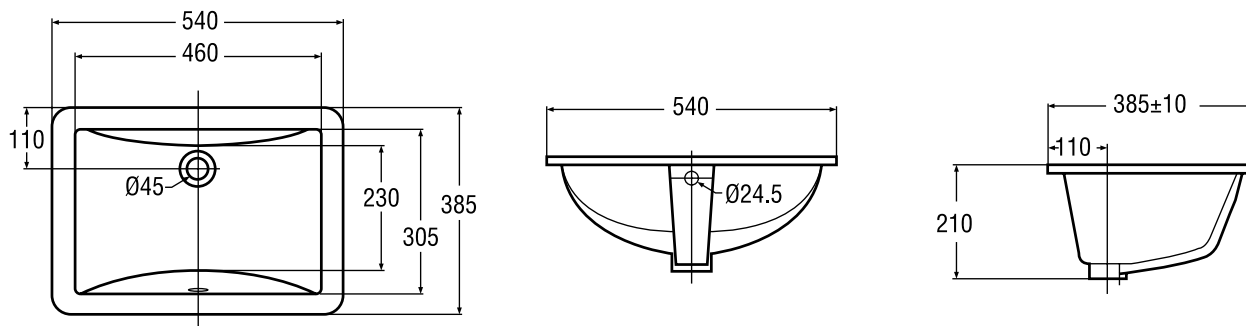


# IDEAL STANDARD

## ACACIA UNDERCOUNTER BASIN

460mm x 305mm



### SPECIFICATIONS

<b>Recommended use</b>	Domestic, hotel, and commercial
<b>Material</b>	Vitreous China
<b>Fixing</b>	Underbench
<b>Fixing requirement</b>	To underside of benchtop with fix clips or adhesive
<b>Overflow</b>	Yes, at front side of basin
<b>Tap hole</b>	None. Allow for in benchtop or wall
<b>Plug and waste</b>	Suits 32 x 40mm Overflow waste
<b>Overflow dress ring</b>	No
<b>Colour availability</b>	White
<b>Template</b>	Supplied with product



To see the complete Ideal Standard range go to [www.reece.com.au/bathrooms](http://www.reece.com.au/bathrooms)

### CLEANING RECOMMENDATIONS

This bathroom product should not be cleaned with abrasive materials eg. steel wool/scourers. Do not use any corrosive or abrasive cleaning agents containing acids or scouring agents. Bleaches can also discolour products and therefore should not be used. Damage caused by any improper treatment is not covered by the product warranty- refer to Warranty Conditions on the last page.

**Disclaimer:** Products in this specification manual must by regulation be installed by licensed and registered trade people. The manufacturer/distributor reserves the right to vary specifications or delete models from their range without prior notification. Dimensions and set-outs listed are correct at time of publication however the manufacturer/distributor takes no responsibility for printing errors.

Tech Page Version 2

*Ideal  
Standard*

**reece**

# IDEAL STANDARD

## ACACIA UNDERCOUNTER BASIN

### INSTALLATION INSTRUCTIONS

1. Cut out benchtop as per template supplied.
- NB: - if wall mounted tapware is to be used, consideration should be made to length of outlet and positioning of basin in bench top.  
- if tapware is to be bench mounted allow suitable bench top width for fitting tapware.
2. If fitting to timber benchtop position basin underneath benchtop and mark out position for fixing clips. Apply sealant/adhesive to rim of basin and position underneath benchtop. Install all 4 securing clips and remove excess sealant.
  3. If fitting to stone benchtop, it is recommended that the basin be attached to benchtop using suitable adhesive prior to benchtop installation. (Do not use epoxy glues). Timber lining or blocks recommended for screwing in clips.