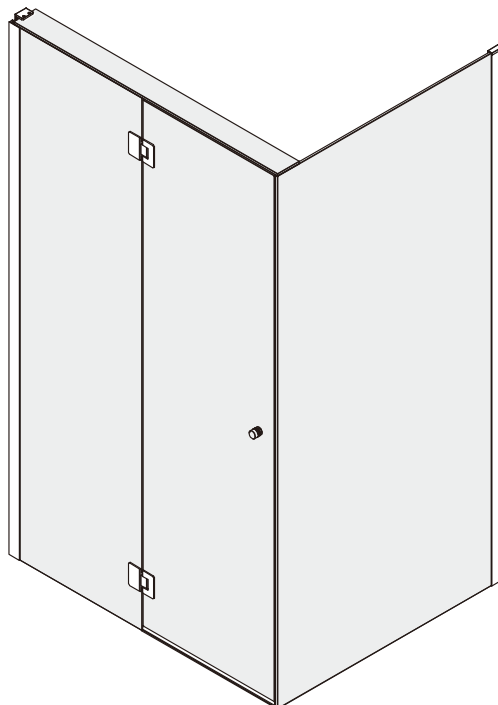
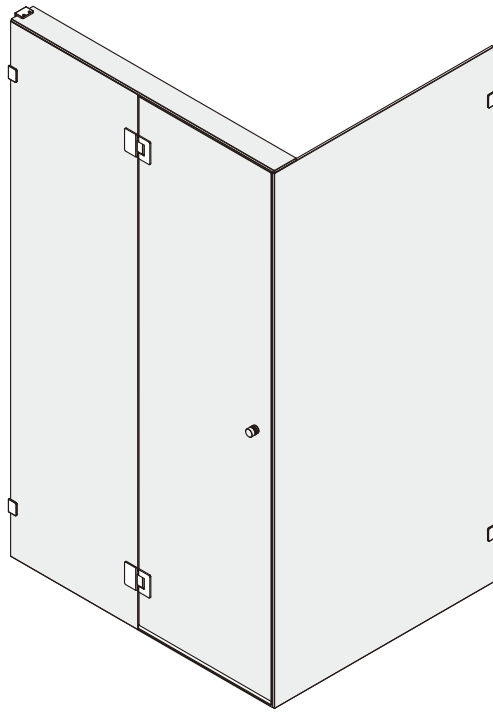


KADO

Kado Lux Frameless Front & Return Shower Screen 900mm, 1000mm, 1200mm



Important - Pre-Installation Instructions

- Please read this entire instruction book before commencing installation.
- A licensed tradesman must be used for the installation.
- Instructions to install a Shower Base with this Screen/Panel are included with the Base.
- These Shower Screens/Panels can also be installed directly onto a tiled floor.
- Ensure there is a gasket between all glass and metal components.
- Leave the plastic protectors on the glass corners until the last possible moment and handle with care.
- In cold climates, warming the gaskets and seals with hot water or a hairdryer will assist installation.

Tools Required

- Use the correct type of drill bit for the material being drilled, with 6mm required for anchor fixing and 3mm used for screwing directly into the wall studs.
- As with all toughened glass, take care while handling and wear safety goggles and gloves for personal protection.
- Use of a non-acidic silicone is recommended.



Silicone Sealant



Drill



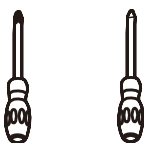
Level



Rubber Mallet



Pencil



Phillips Screwdriver



Tape Measure



Cutting Pliers



Utility Knife



6mm (1/4") and
3mm (1/8") Drill Bits



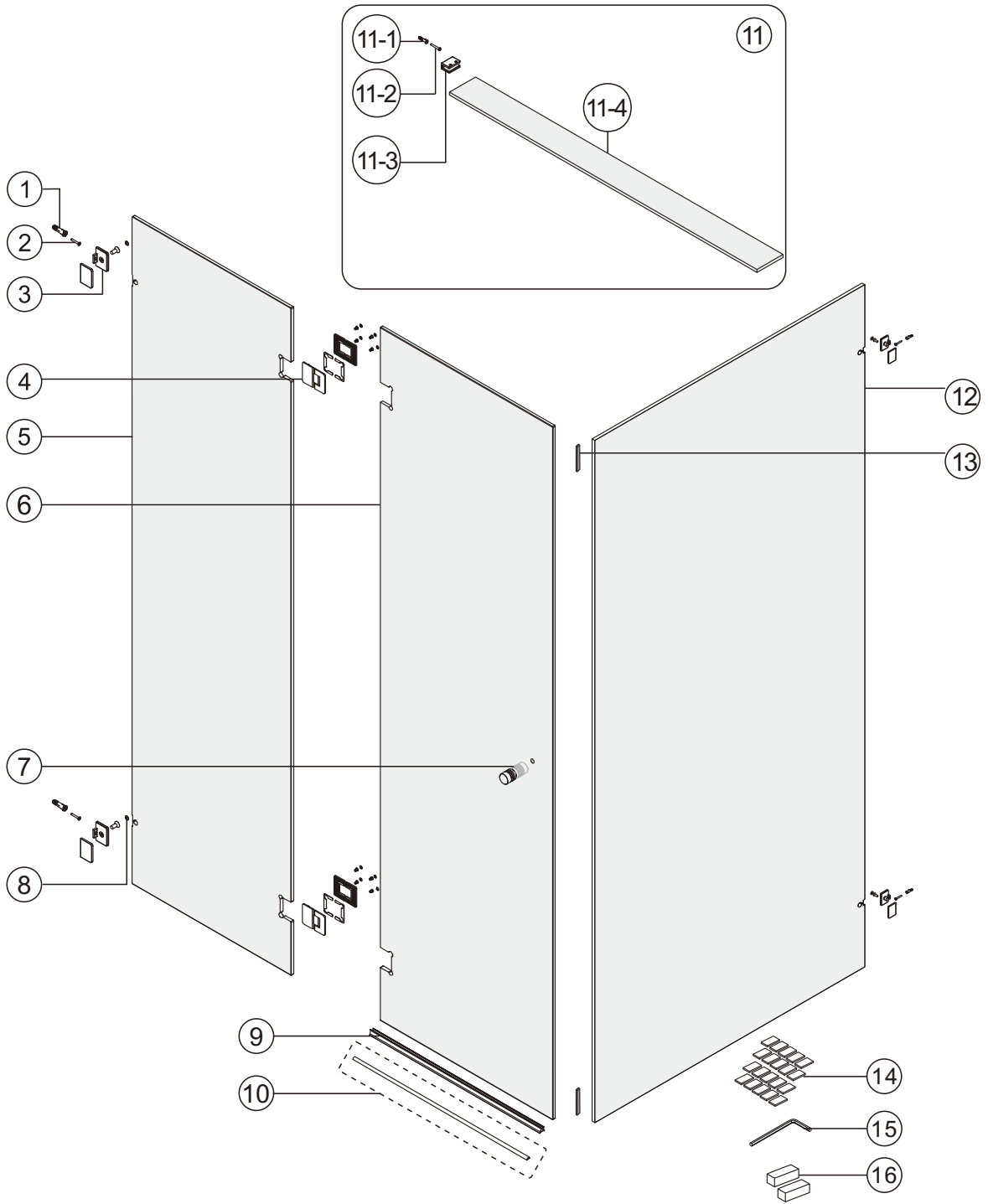
Safety Goggles



Gloves

Parts List of Door

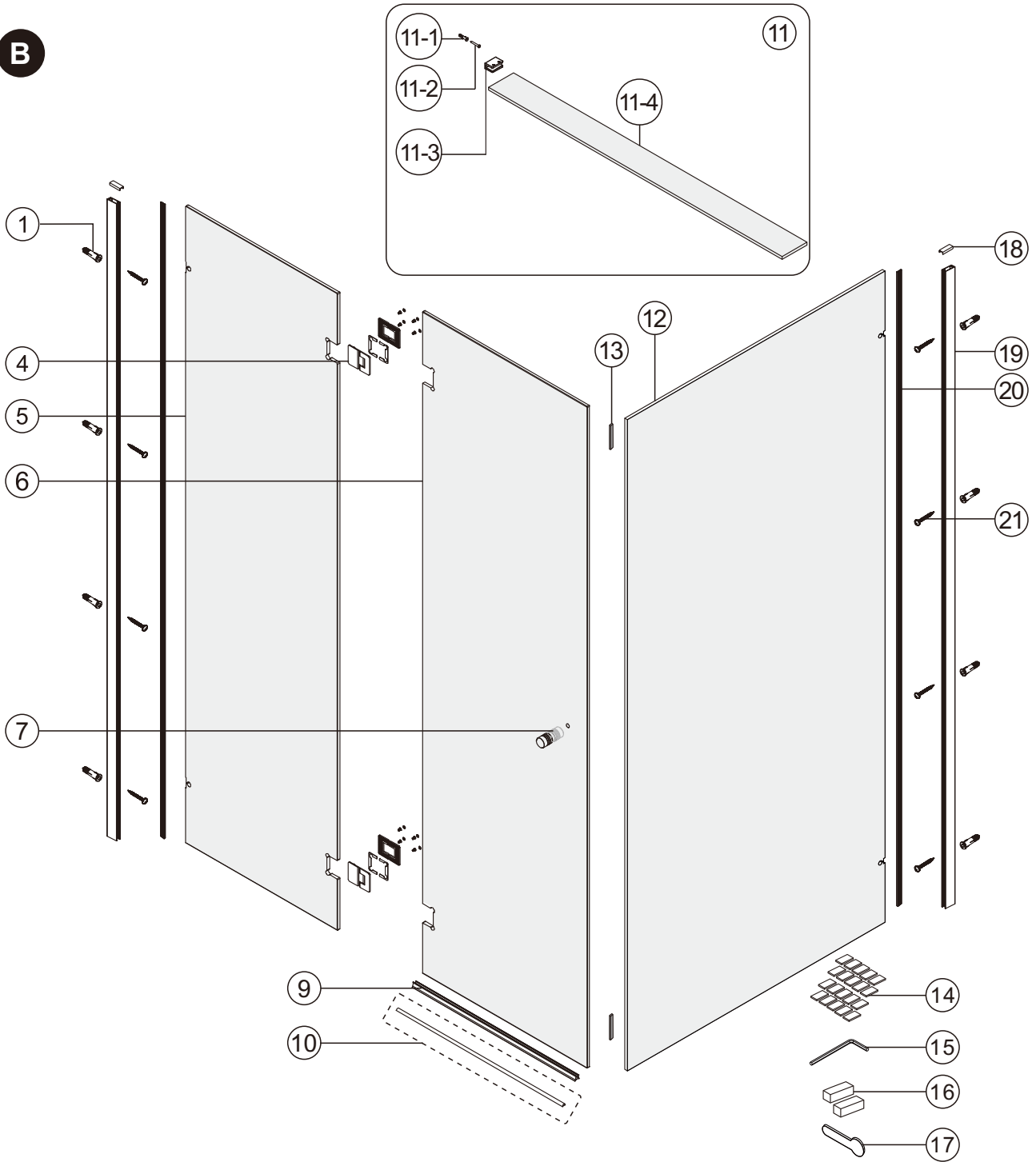
A



1 x4	2 x4	3 x4	4 x2	5 x1	6 x1
7 x1	8 x4	9 x1	10 x1	11 x1	12 x1
13 x2	14 x20	15 x1	16 x2		

Parts List of Door

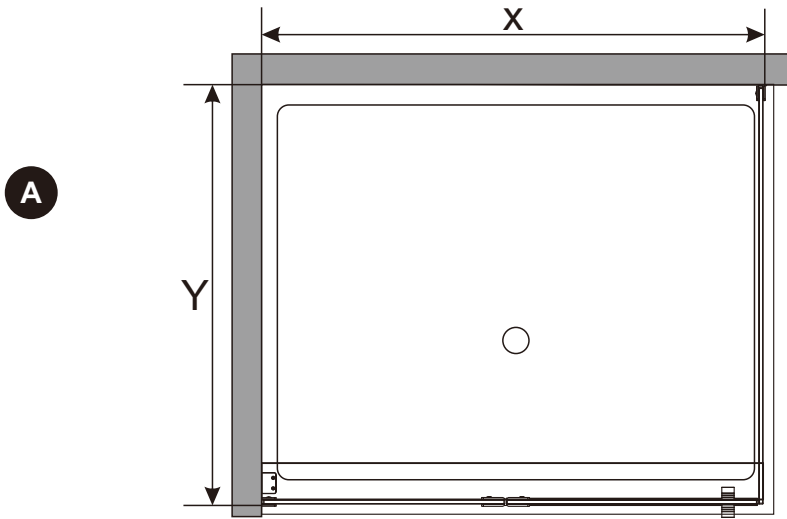
B



1 x8 	4 x2 	5 x1 	6 x1 	7 x1 	9 x1
10 x1 	11 x1 	12 x1 	13 x2 	14 x20 	15 x1
16 x2 	17 x1 	18 x2 	19 x2 	20 x2 	21 x8

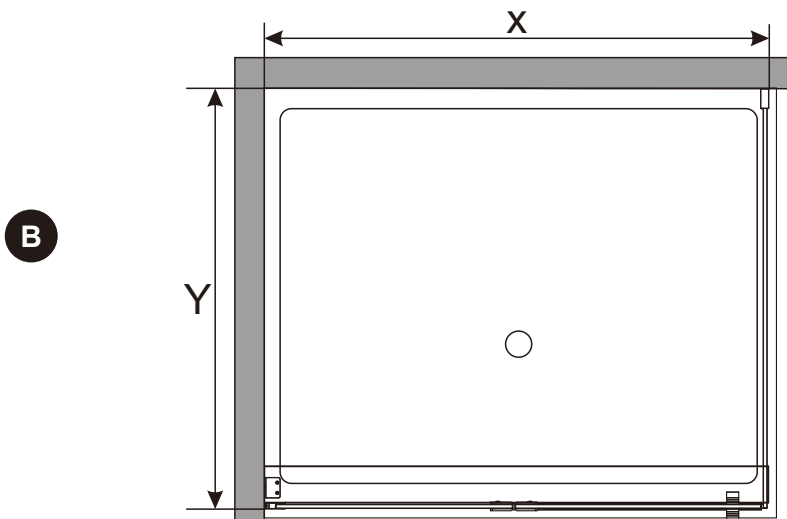
Determining Wall Clip / Wall Channel Location

When commencing step 1 on the following page, please refer to this drawing and the tabulated dimensions for your size of system to assist in the correct location of the wall clip & wall channels.



Size	X
900mm	900mm
1000mm	1000mm
1200mm	1200mm

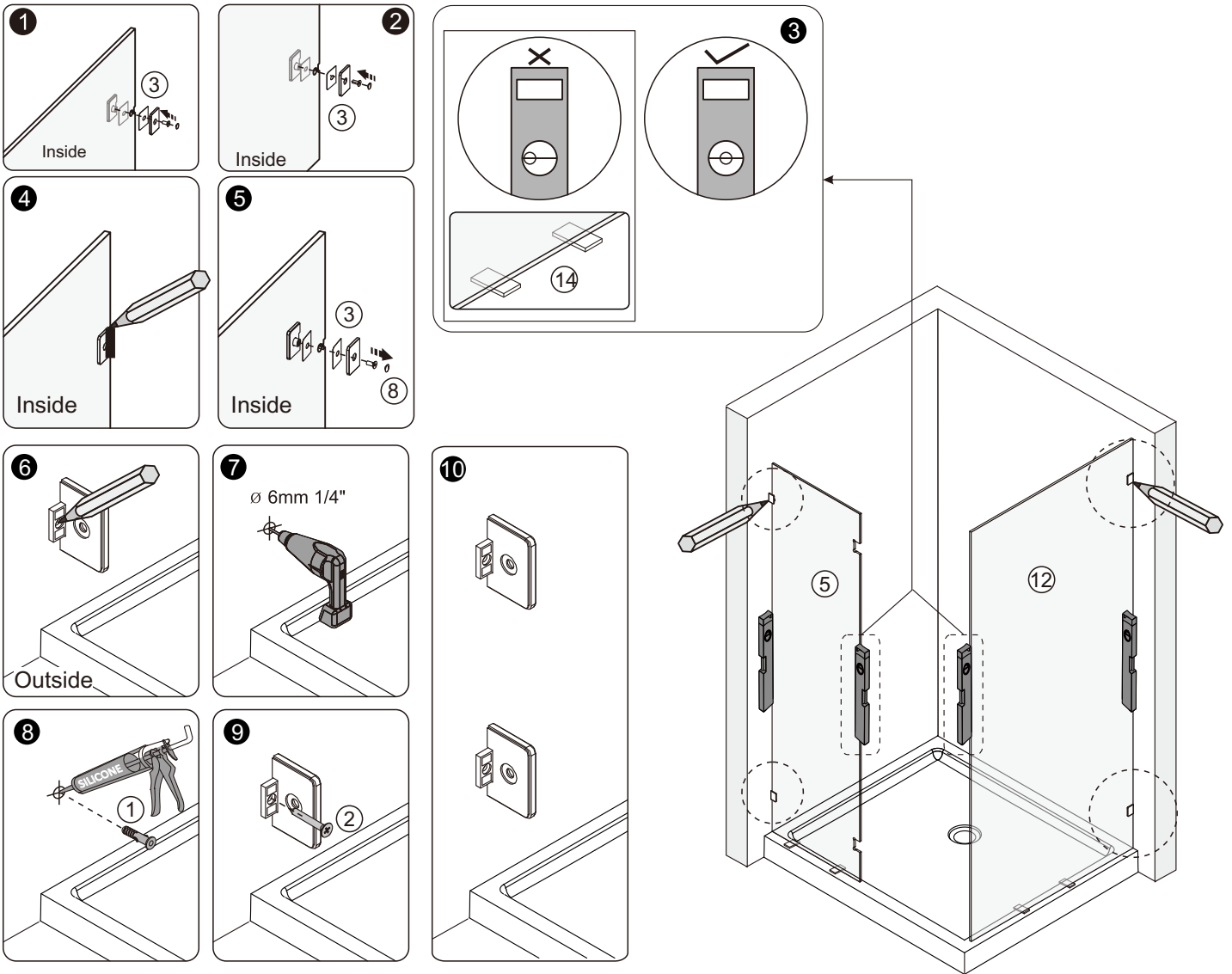
Size	Y
900mm	900mm
1000mm	1000mm



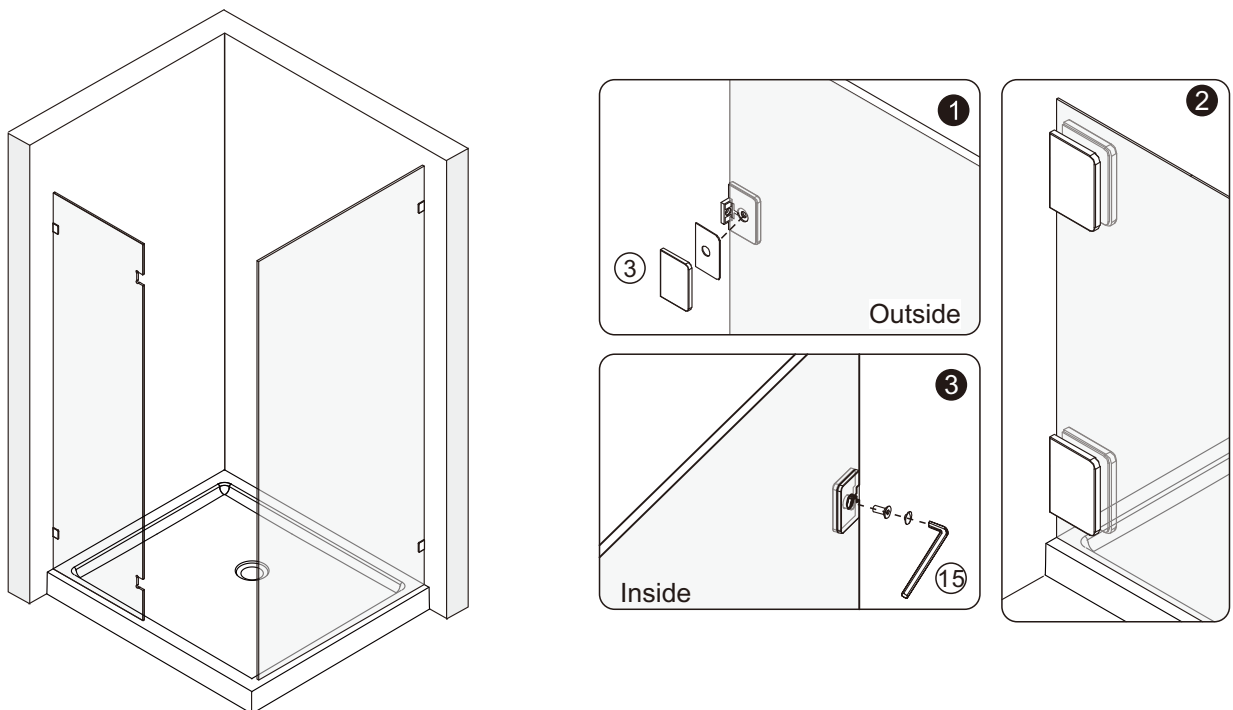
Size	X
900mm	908-923mm
1000mm	1008-1023mm
1200mm	1208-1223mm

Size	Y
900mm	908-923mm
1000mm	1008-1023mm

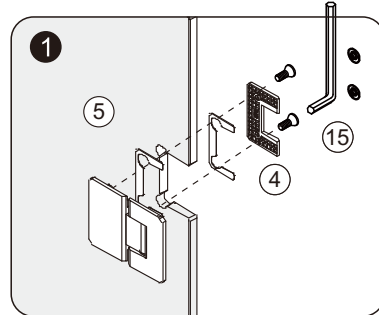
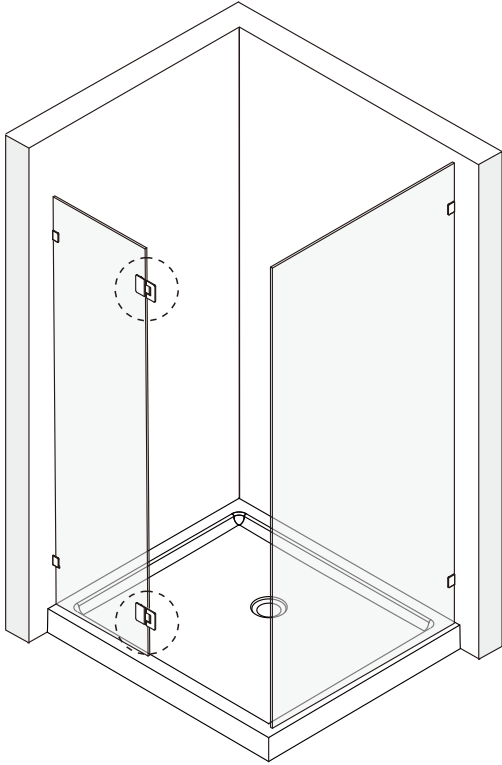
A-1



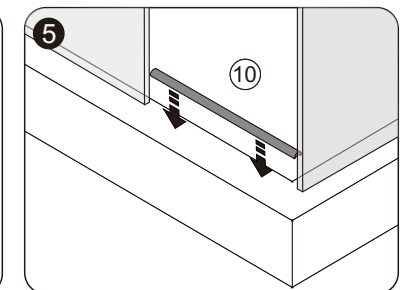
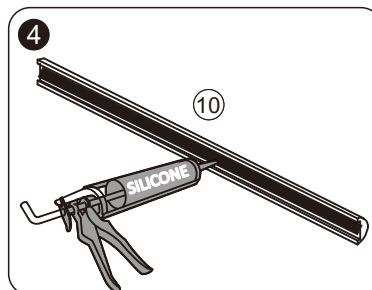
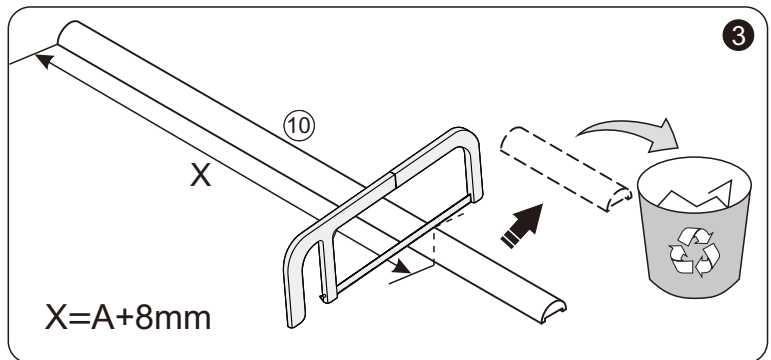
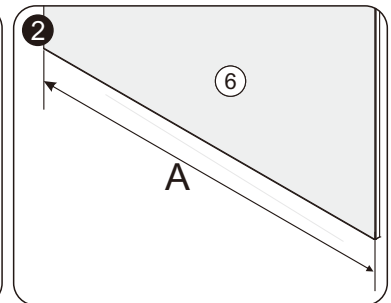
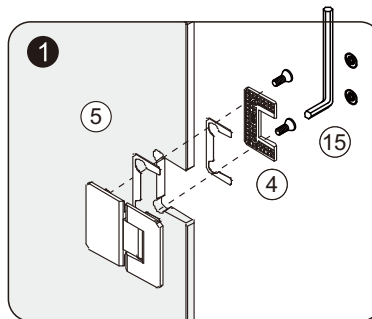
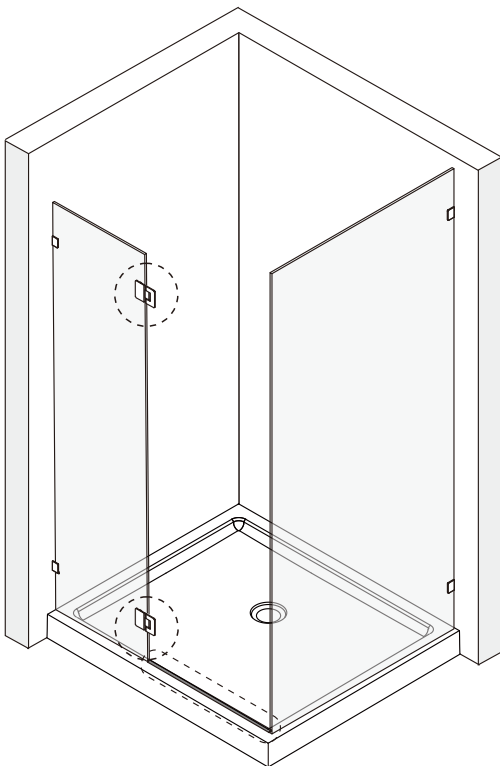
A-2



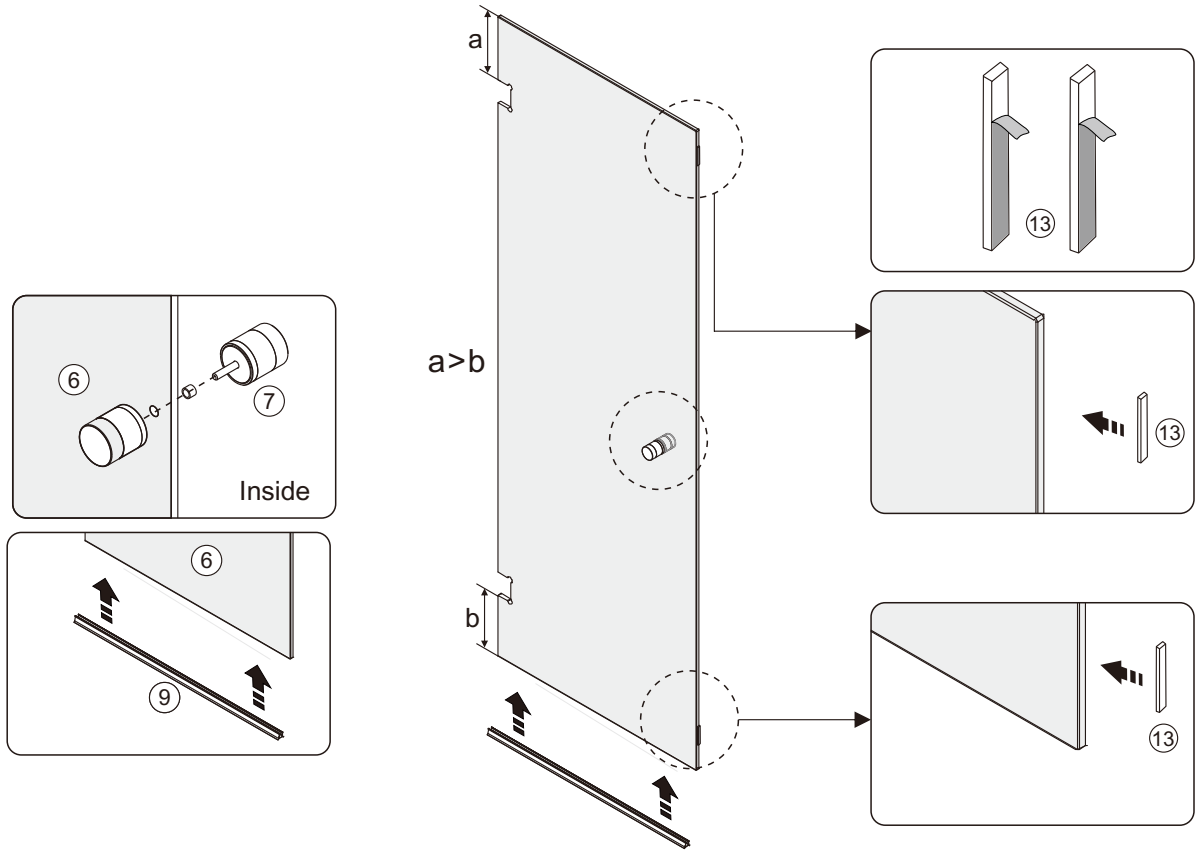
A-3



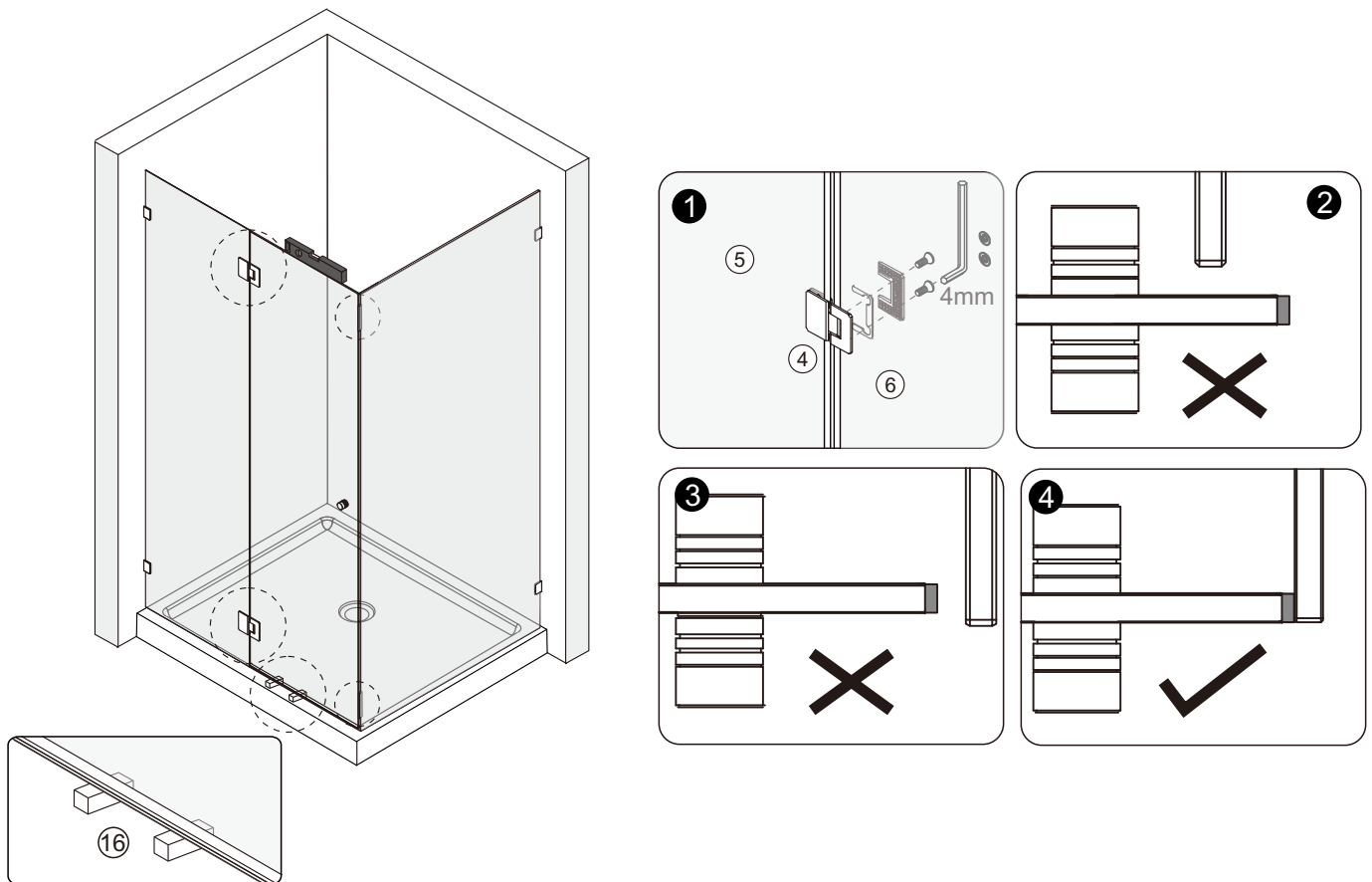
OR



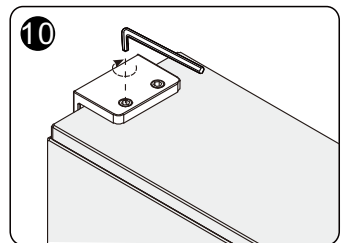
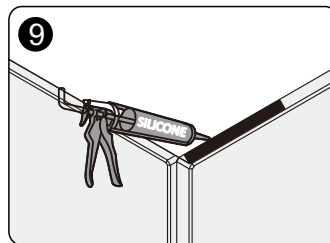
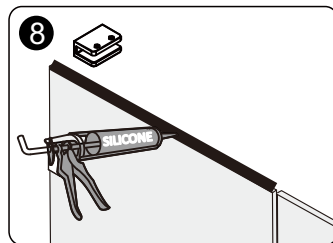
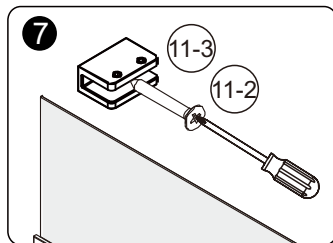
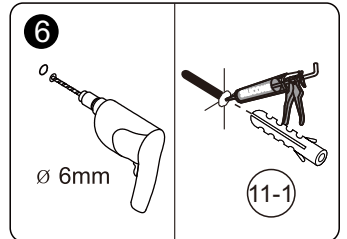
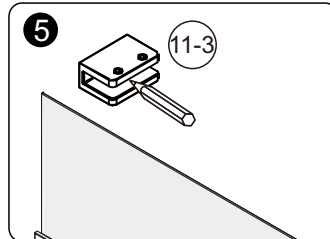
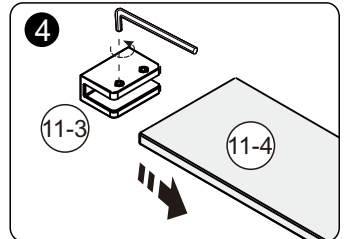
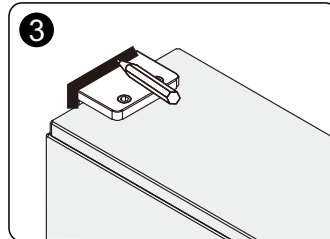
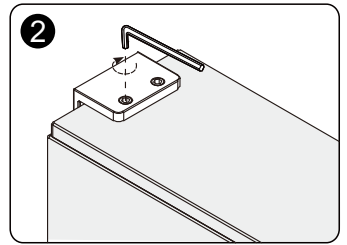
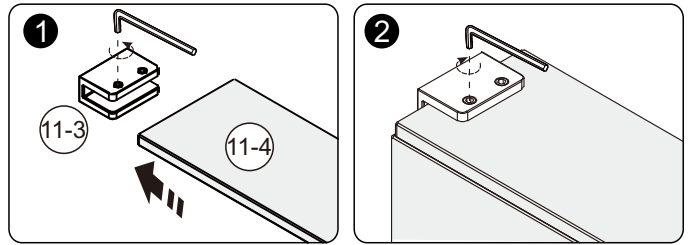
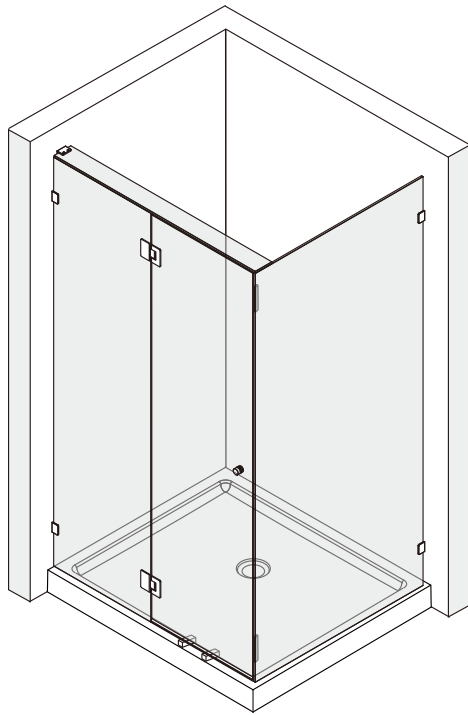
A-4



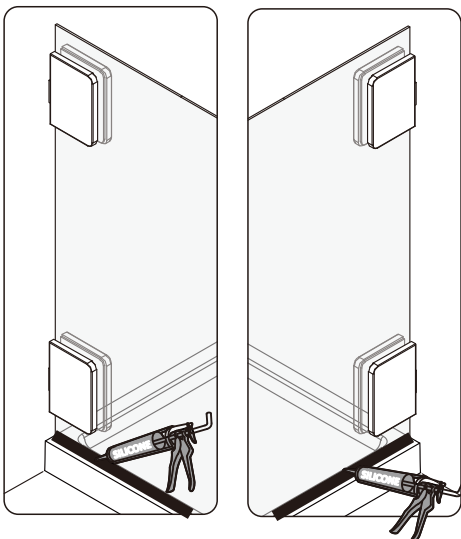
A-5



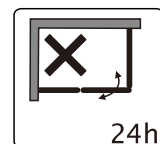
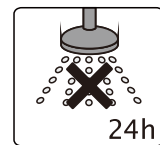
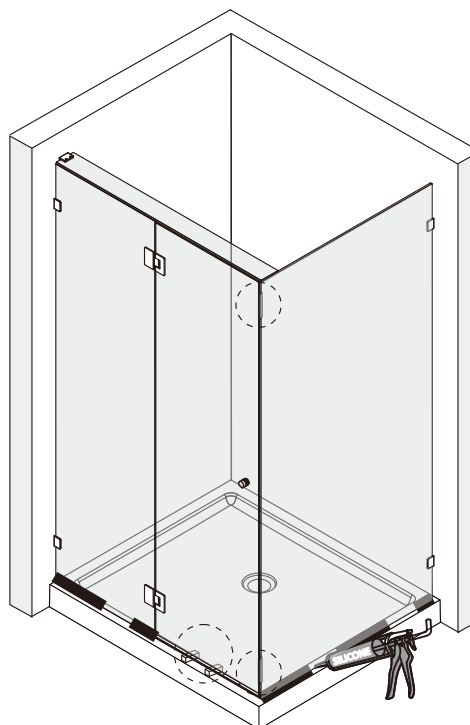
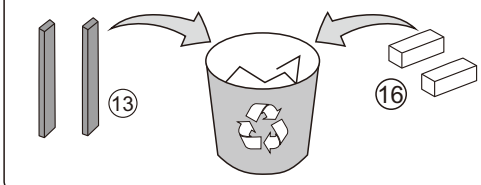
A-6



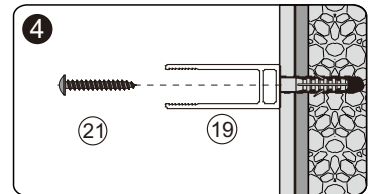
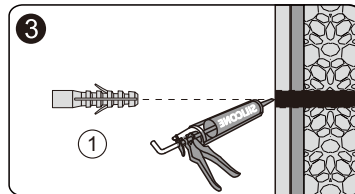
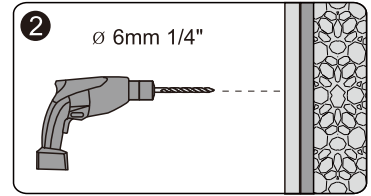
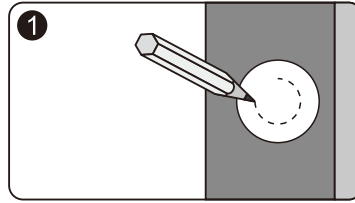
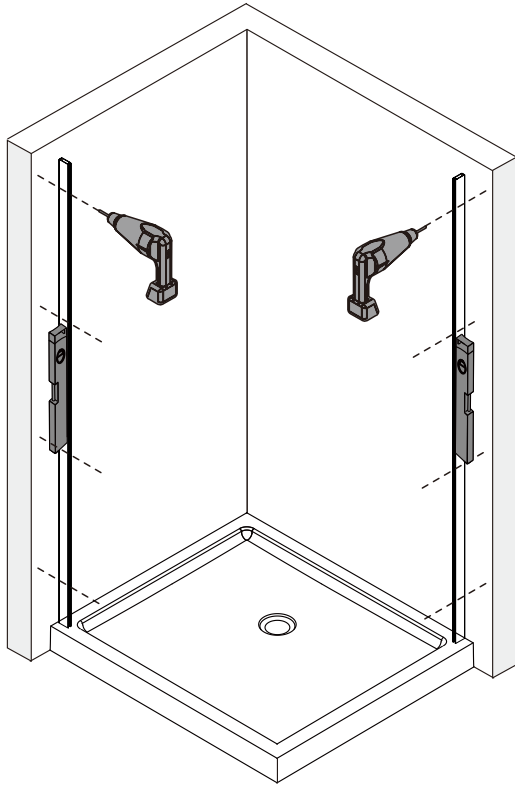
A-7



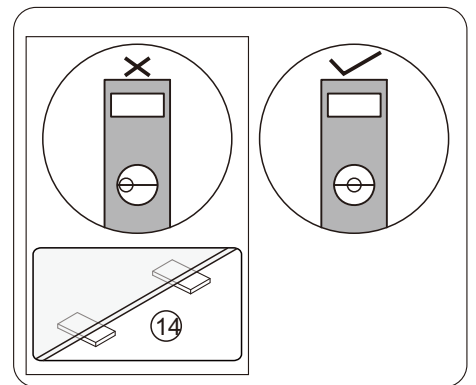
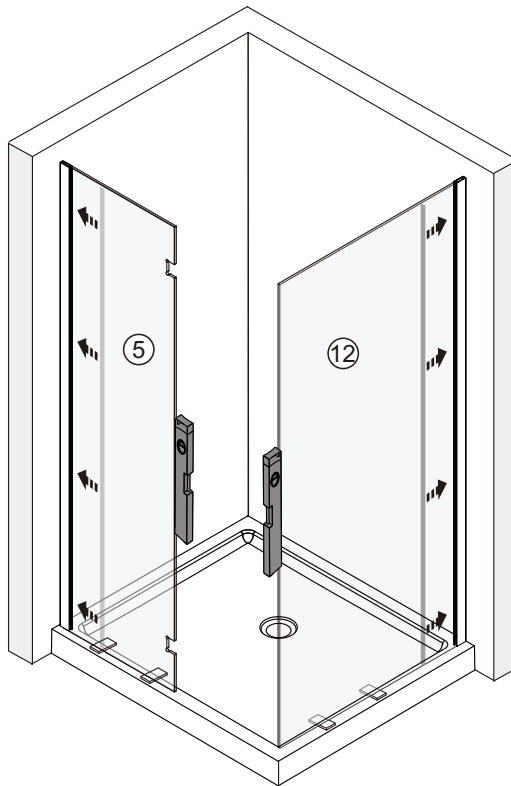
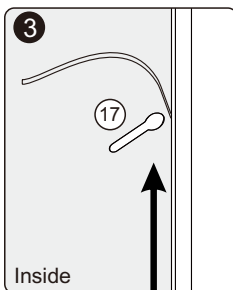
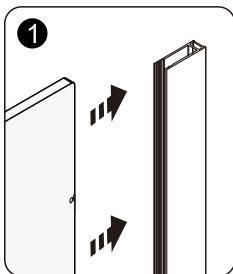
Throw it after applying silicone in 24 hours.



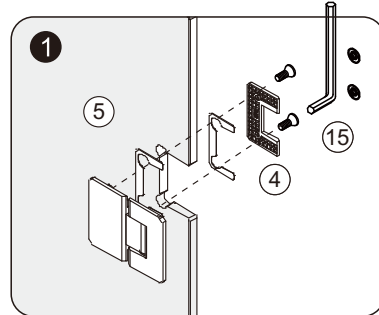
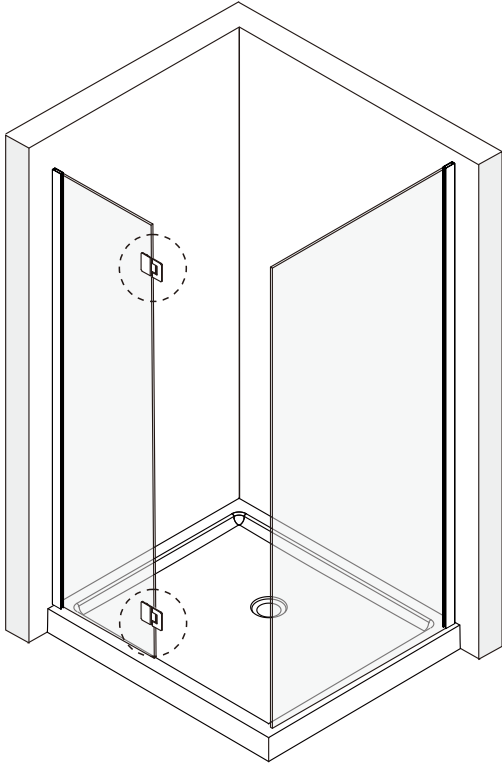
B-1



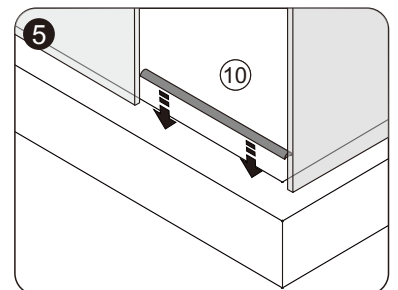
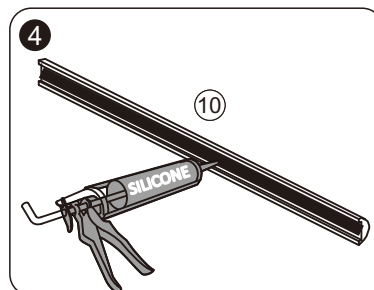
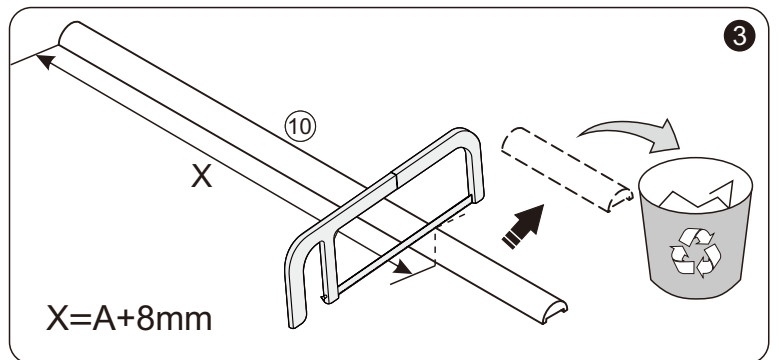
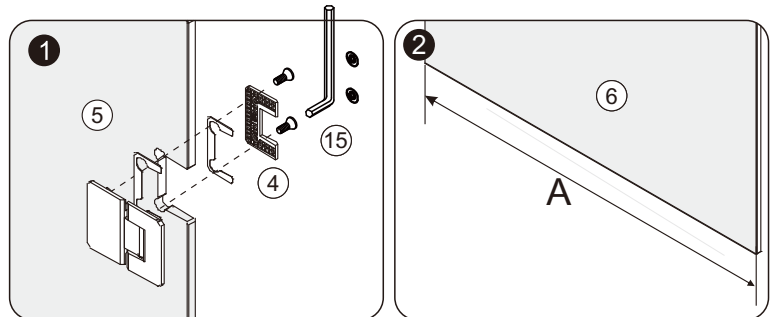
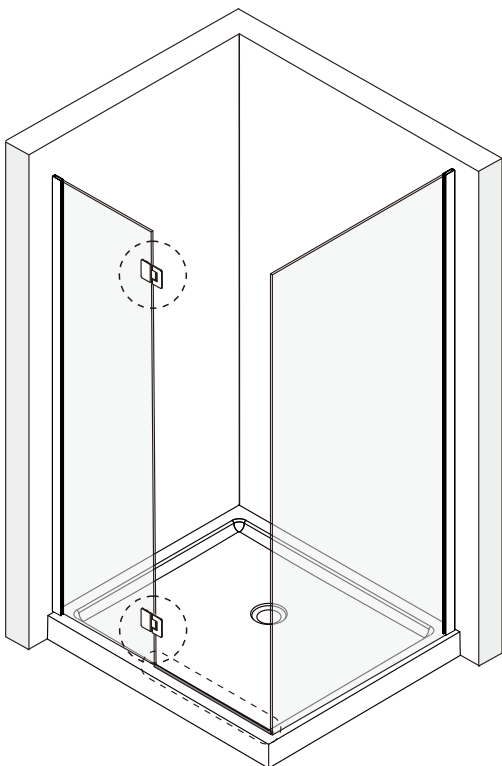
B-2



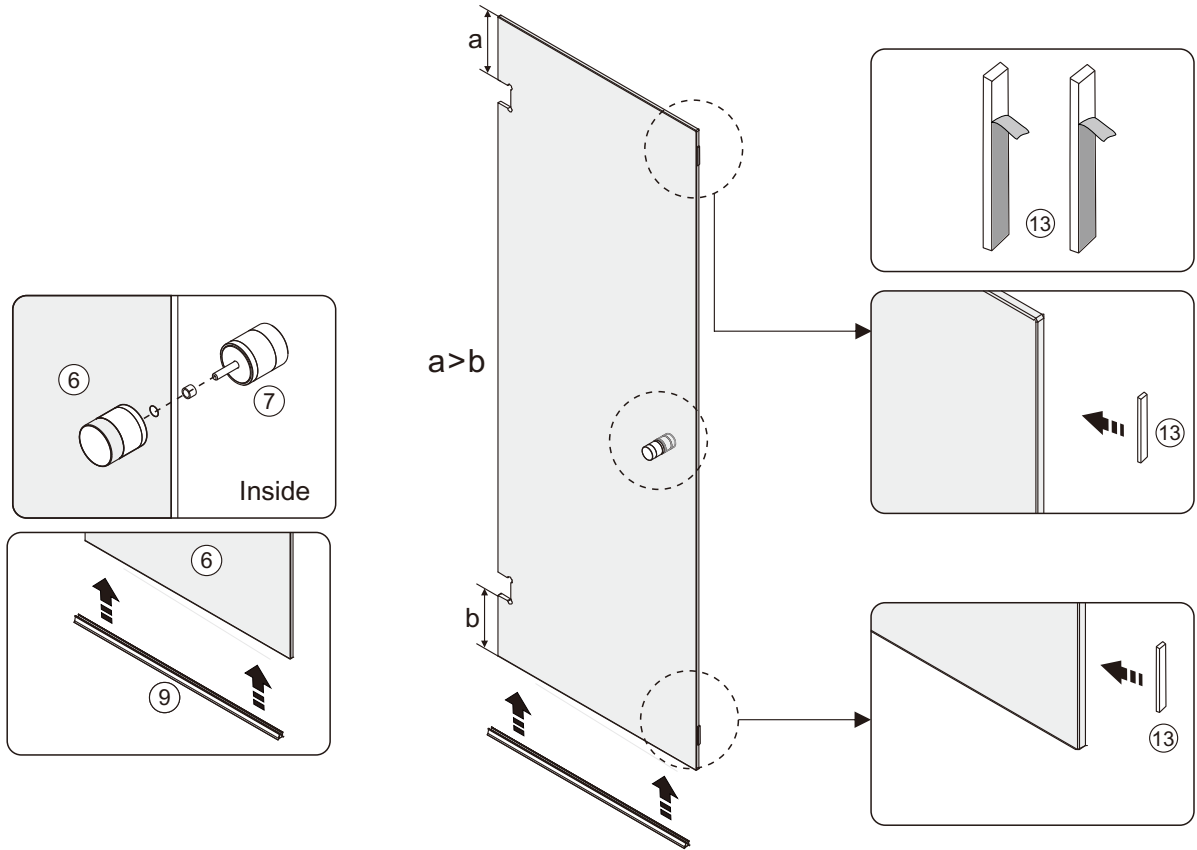
B-3



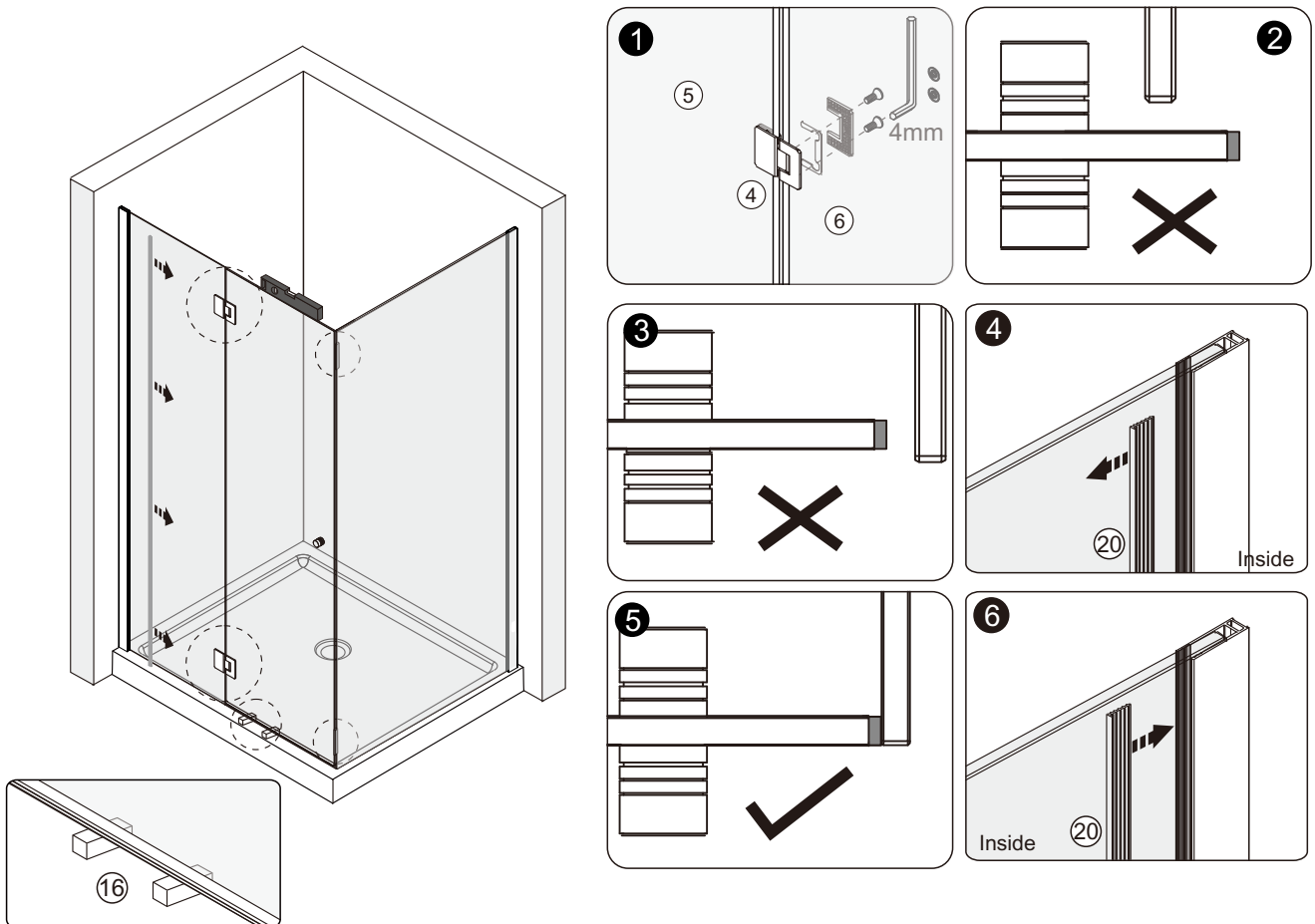
OR



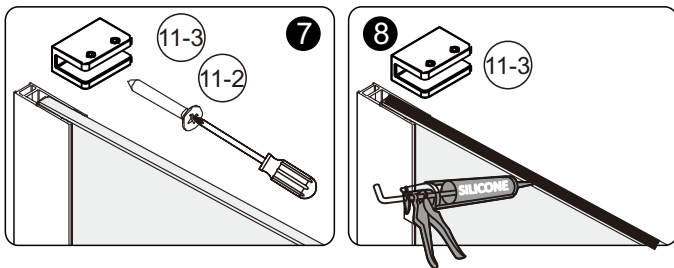
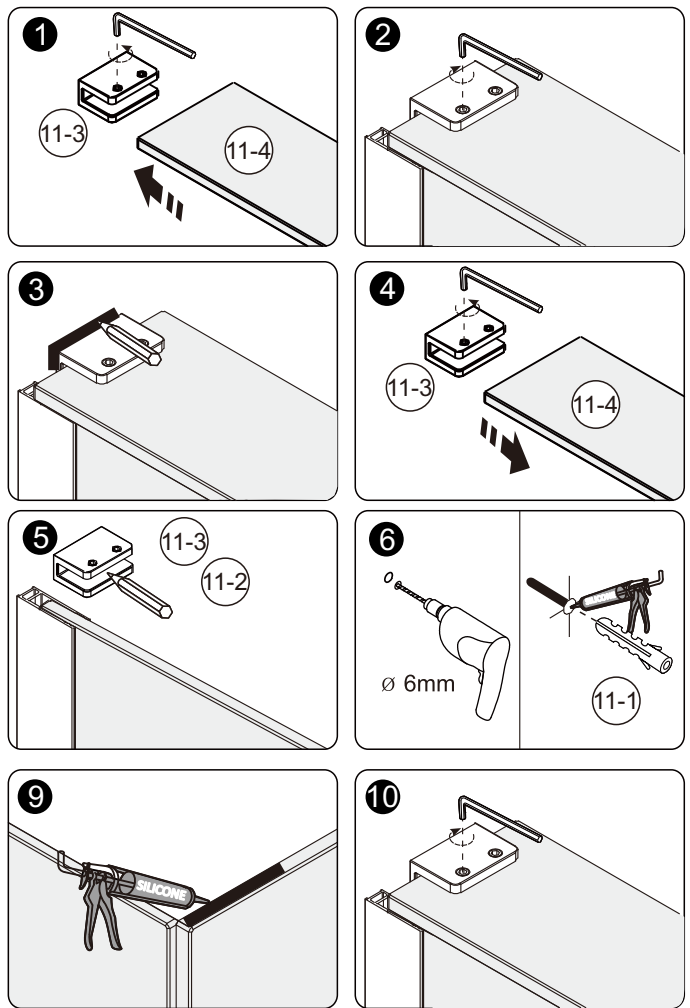
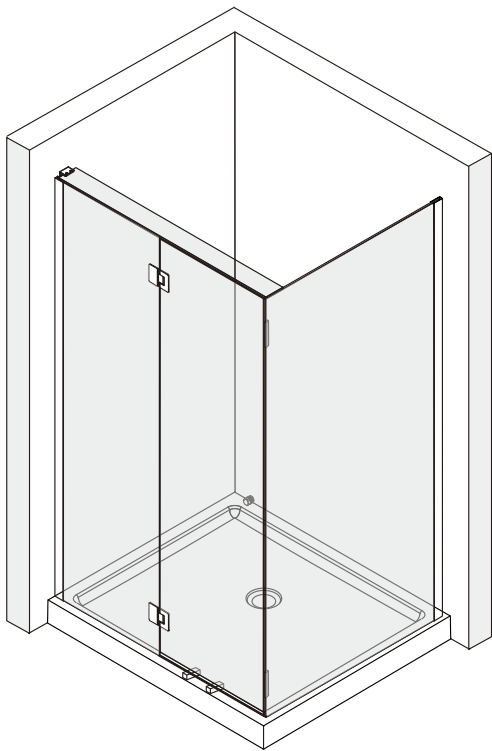
B-4



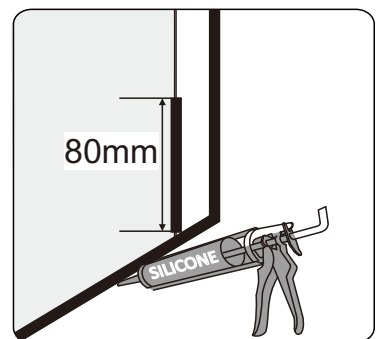
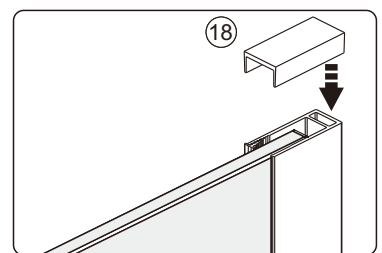
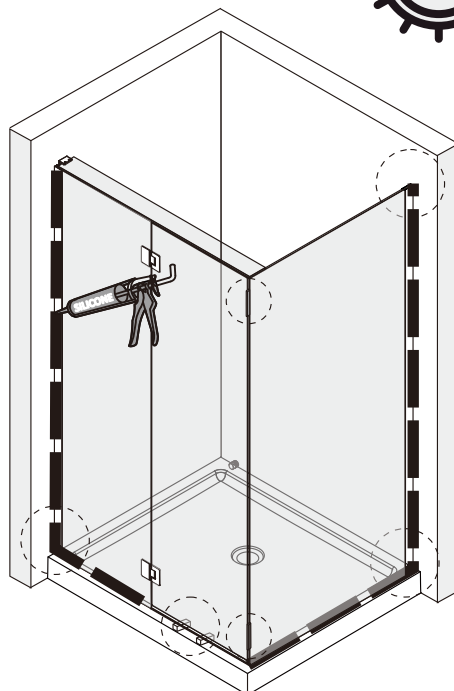
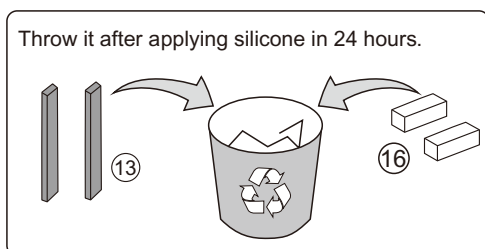
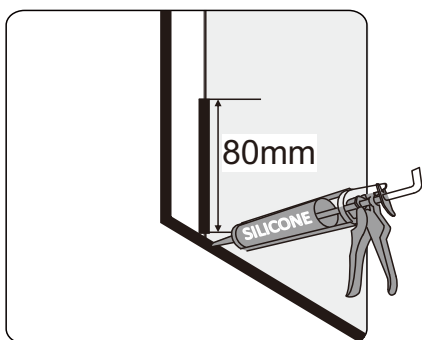
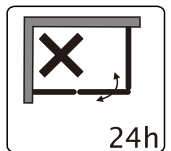
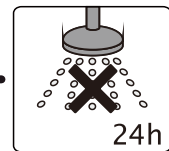
B-5



B-6



B-7



KADO

Kado Lux Frameless Shower Enclosure 900mm, 1000mm, 1200mm

Care Details

We recommend the use of soapy water or approved cleaners. This product should not be cleaned with abrasive materials. Damage caused by any improper treatment is not covered by the product warranty. Refer to Warranty Conditions

Plumbers, please ensure a copy of the installation instruction is left with the end user for future reference.

