



FLICKMIXER – BATH/SHOWER MIXER

+

PLUMBERS INSTALLATION INSTRUCTIONS

Important Information

- * Brazed connections should NOT be made directly onto the mixer, as excessive heat will cause permanent damage.
- * All pipework must be thoroughly flushed prior to installation.

Installation

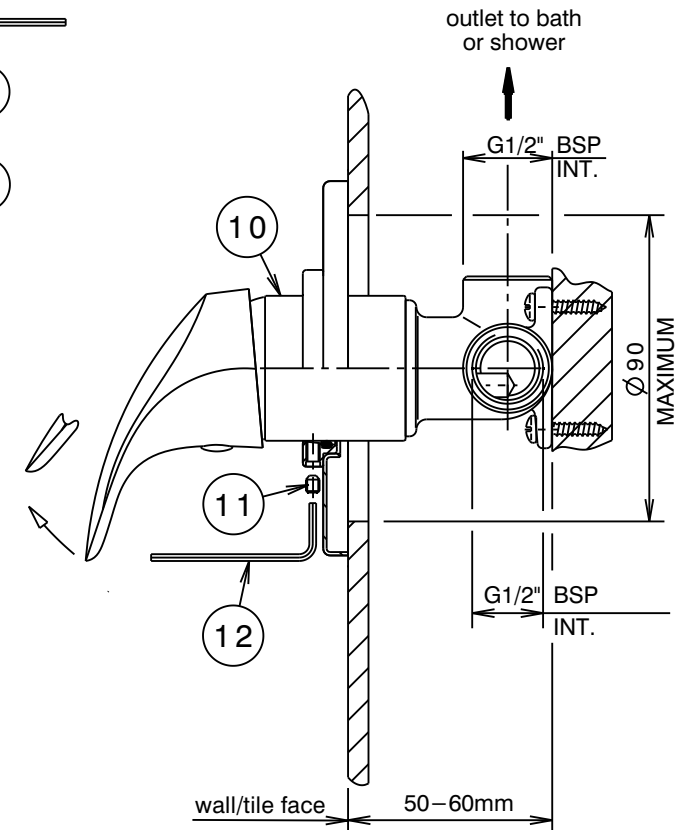
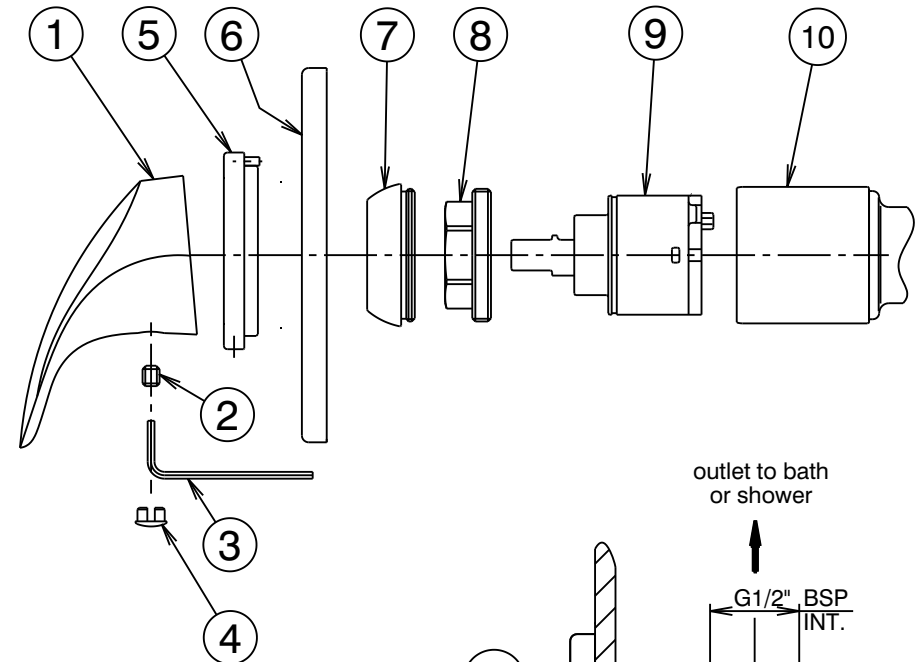
- 1) Fit mixer body (10) onto a suitable mounting plate or noggin in the wall and secure using screws through the holes in its base. When facing the mixer, the connections should be as follows :
Hot water inlet connection 'H' to the left.
Cold water inlet connection 'C' to the right.
Mixed water outlet connection, vertically upwards.
Check all connections for leaks.

Important :

- * Mixer body (10) must be installed square to wall/tile face, to ensure cover plate (6) sits flush.
 - * To avoid damaging the decorative finish, do not remove the plastic protective sleeve until installation has been completed.
- 2) Fit cover plate (6) followed by retaining ring (5) onto mixer body (10). Rotate the retaining ring until pin is engaged in slot in cover plate and position so that the screws (11) are at the bottom. Push the retaining ring and cover plate firmly against wall/tile face and tighten screws (11) using 2mm allen key (12)
 - 3) Fit handle (1) taking care that it is pushed fully down, tighten screw (2) using the 2.5mm allen key (3). Fit indicator plug (4) with red to the left.

Replacing Cartridge

- 1) Turn off hot and cold water supplies.
- 2) Carefully remove indicator plug (4), loosen screw (2) and remove handle (1). Unscrew cap (7) taking care not to damage the decorative finish. Unscrew retaining nut (8) and remove the old cartridge (9).
- 3) Ensure inside of mixer body (10) is clean. First check that seal is in position in base of new cartridge then fit new cartridge (9) into mixer body, taking care that two lugs on base of cartridge fit into mating holes in mixer body. Screw on nut (8). **Important :** Nut (8) should be tightened to a torque of 10Nm. Replace cap (7), tightening by hand.
- 4) Fit handle (1) taking care that it is pushed fully down, tighten screw (2) using the 2.5mm allen key (3). Fit indicator plug (4) with red to the left.



IMPORTANT

Pressure & Temperature Requirements.

- Hot and cold water inlet pressures should be equal.
- Inlet pressure range : 150 – 1000 kPa
New Regulation : –500 kPa maximum operating pressure at any outlet within a building.
(Ref. AS/NZS 3500.1 – 2003, Clause 3.3.4)
- Maximum hot water temperature : 80°C.

+

Distributed by:
Dorf Clark Industries Limited
ABN 23 004 394 923

IS878A(09/07)