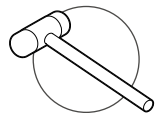
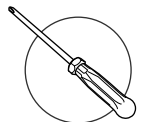
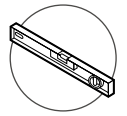
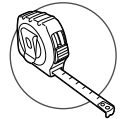
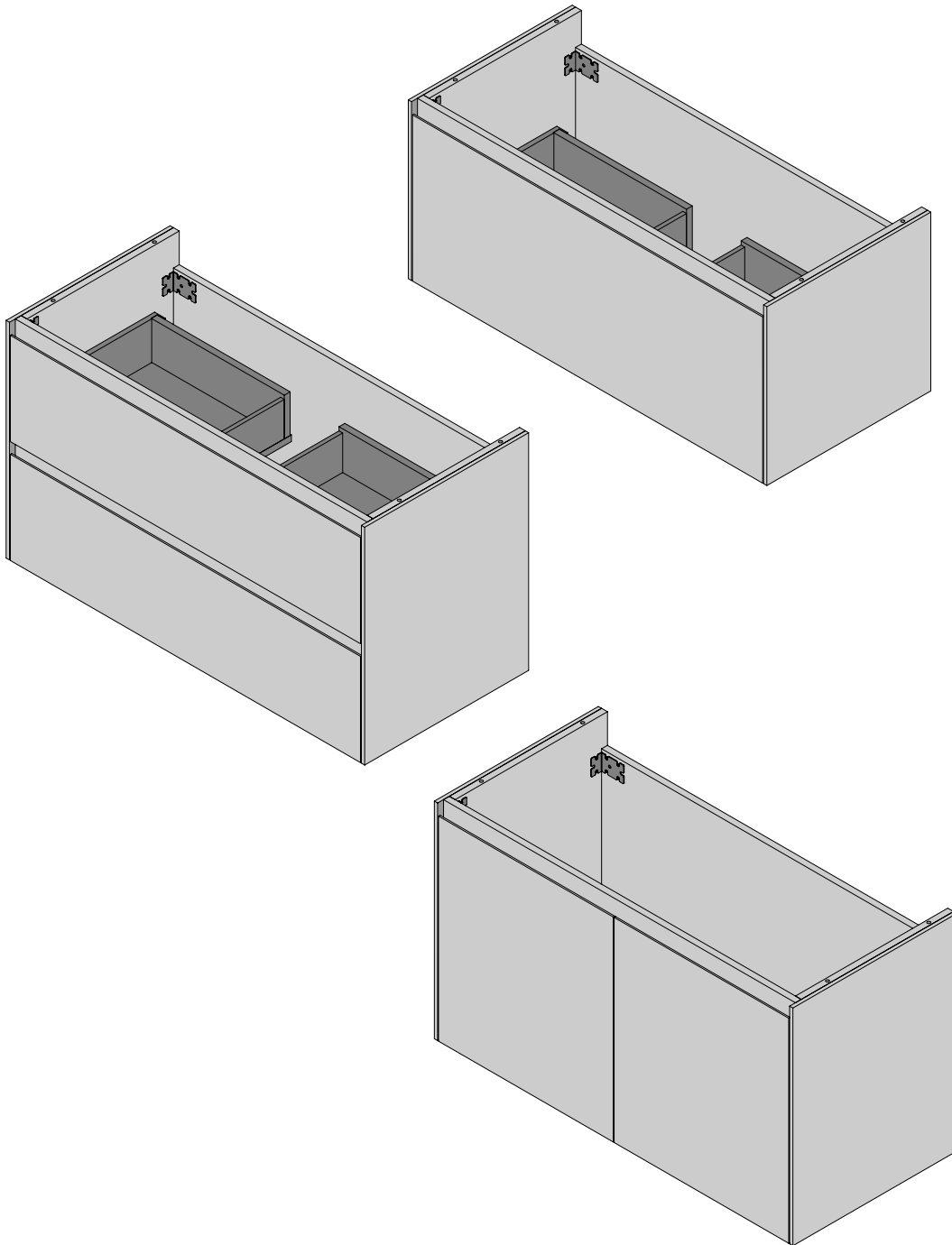



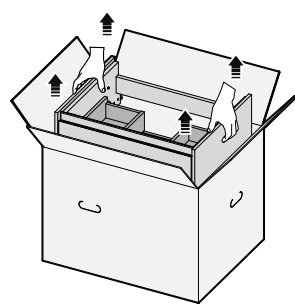


Roca





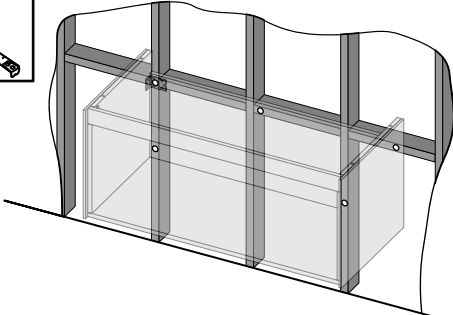
ONA

INSTALLATION INSTRUCTIONS

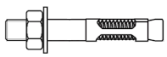
Unpack your product, check for any damage that may have occurred during transit and ensure that there are no missing components. Contact Reece customer service within 48 hours to report any damage or missing components.

Please note: fixing bolts/screws are not supplied for installation.






Wall hung vanities and basins must be securely attached to wall studs. If necessary, install additional support noggins at desired locations prior to sheeting the wall


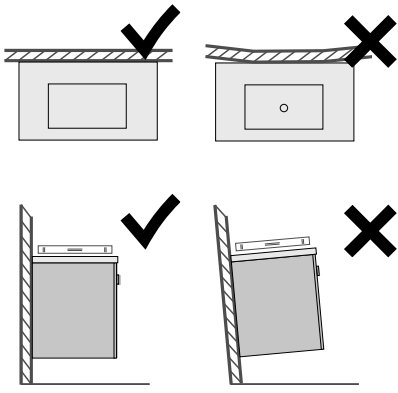
Recommended Fixings



Masonry installation - M10 X 60 (min) sleeve anchor bolts with washer




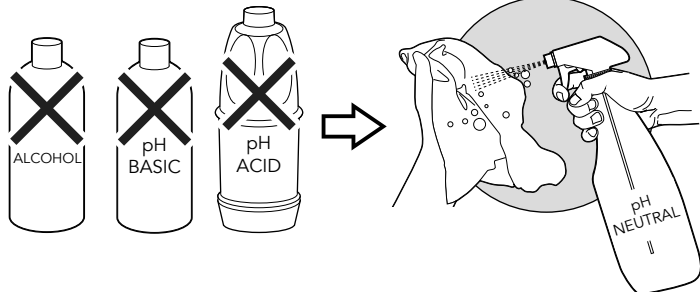
Stud work - M10 X 60 (min) hex lag bolt with a washer.

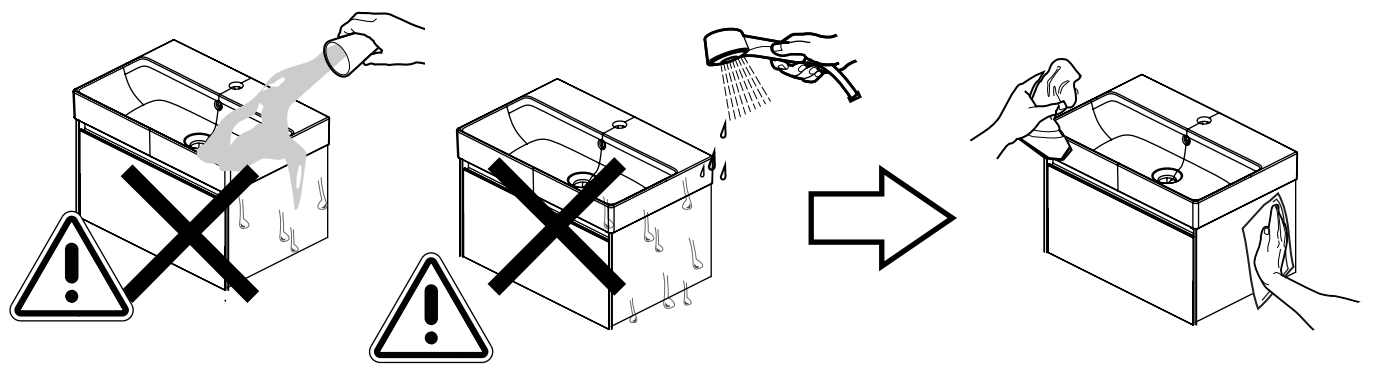
Ensure the wall is plumb and flat. If the vanity is fixed to a wall that is not flat or is out of plumb, there is a risk of drawer / door misalignment. The basin will also not sit level which may cause water to pool.

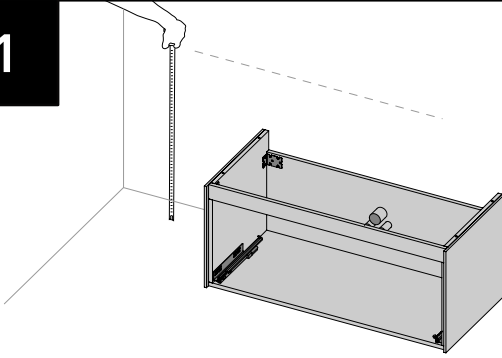
If it is not possible to make the wall plumb and flat, the vanity must be packed appropriately.

Please note: if the vanity is fixed to a bowed wall, the vanity will be put under stress causing your cabinet to twist. Benchtops could therefore crack due to increased stress on joins and materials.

Must be cleaned with NEUTRAL pH cleaning product

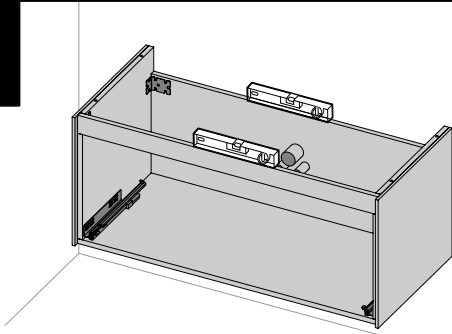



1

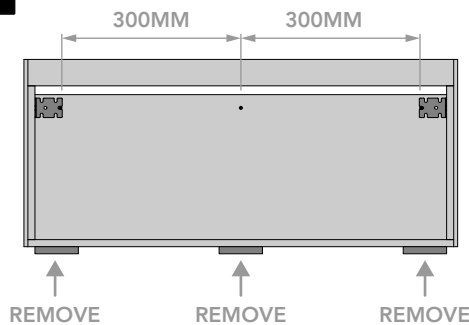
Factor in the thickness of the basin and mark the desired height of the vanity. Mark the vertical support beam locations.

Note: Vanity must attach to a minimum of two support beams. However, we recommend securing the vanity to the wall in four locations.

Remove all drawers or doors and mark the location of all pipes and services. Drill holes in the back panel and / or base of the cabinet with an appropriately sized hole-saw. Pre-drill screw locations for fastening to the wall as per 'Step 4'.

2

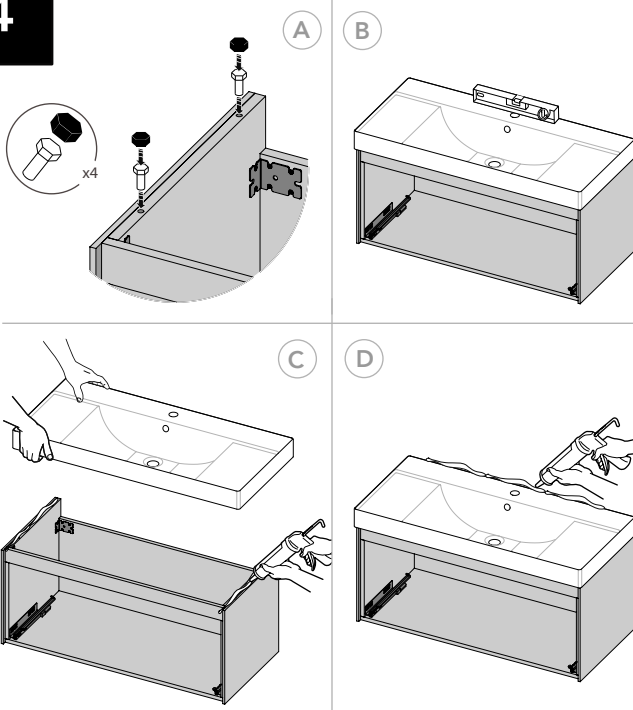
Position the vanity in the correct location and fix with a single central screw into the support beam. Ensure the vanity is completely level.

3

Securely fasten the vanity to the wall using appropriate fasteners. Secure the cabinet to the wall through the top left and right hand brackets. Ensure fixings are no less than 300mm apart. Fixings at the bottom of the cabinet should be no more than 100mm from each end of the cabinet and no more than 50mm from the base panel.

Note: Where a stud or support beam cannot be located, use an appropriately sized hollow wall anchor. The vanity must attach to a minimum of two support beams but we recommend securing the vanity to the wall in four locations. Ensure fixings clear all concealed water and electrical services.

Once the cabinet is secured to the wall carefully, remove transportation blocks from the underside of the cabinet. We recommend using a chisel for this.

4

A) Screw in the basin levelling bolts and push the plastic covers onto the head of the bolts.

B) Check the basin is levelled correctly and adjust the levelling bolts to make any required adjustments.

C) Using a non-acidic silicone, apply a continuous bead of silicone to the top four edges of the vanity and at the back where it meets the wall. Position the basin so it has equal overhang on each side, ensuring the top surface is level.

Note: Seal any visible gaps between the cabinet and the basin with a continuous bead of silicone.

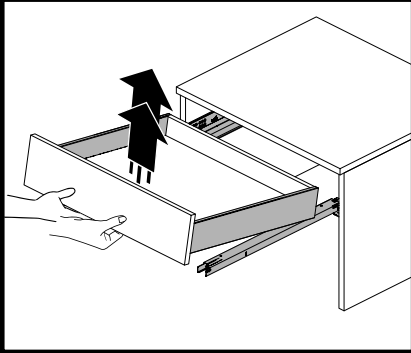
D) Apply non-acidic silicone wherever the vanity is in contact with the wall and / or floor.

Note: Materials used in the construction of this unit are water resistant, NOT water proof. All areas need to be sealed properly to prevent water penetration and damage to the vanity.

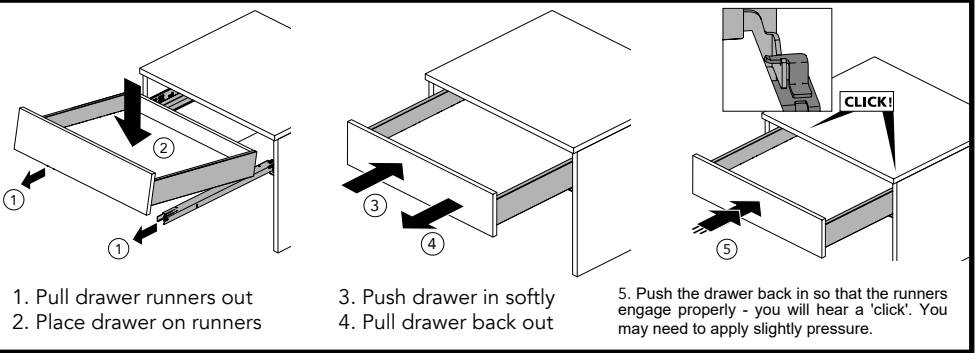
Note: Gap sealant can be used in place of silicone where the vanity is in contact with tiled surfaces.

DRAWER ADJUSTMENTS

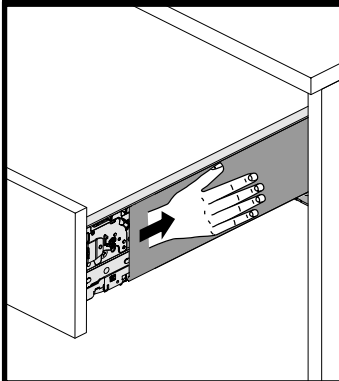
REMOVING DRAWER



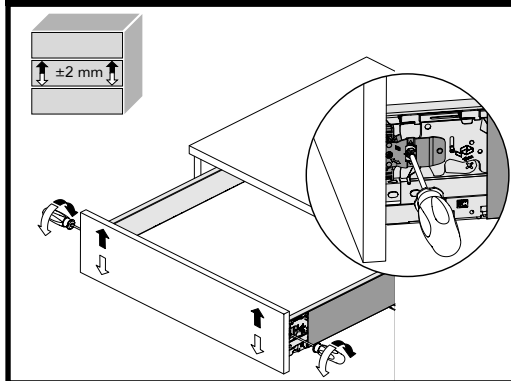
INSERTING DRAWER



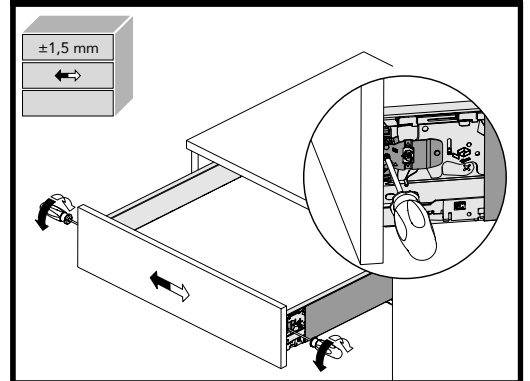
SLIDE DRAWER COVER



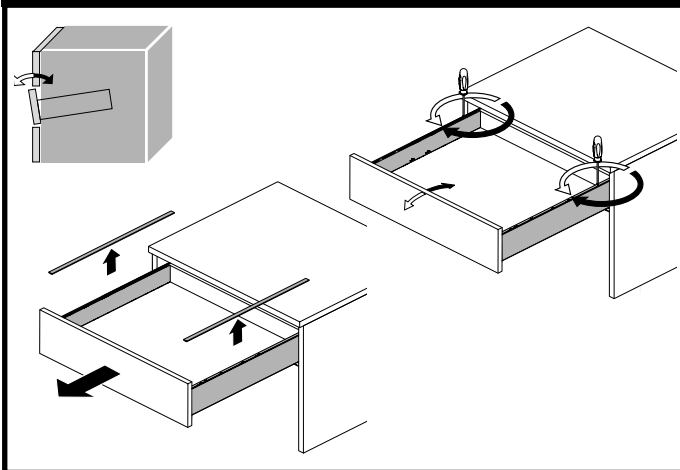
HEIGHT ADJUSTMENT



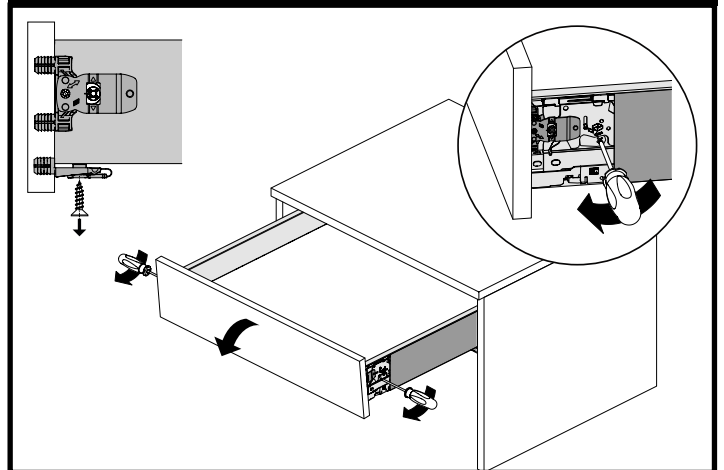
LATERAL ADJUSTMENT



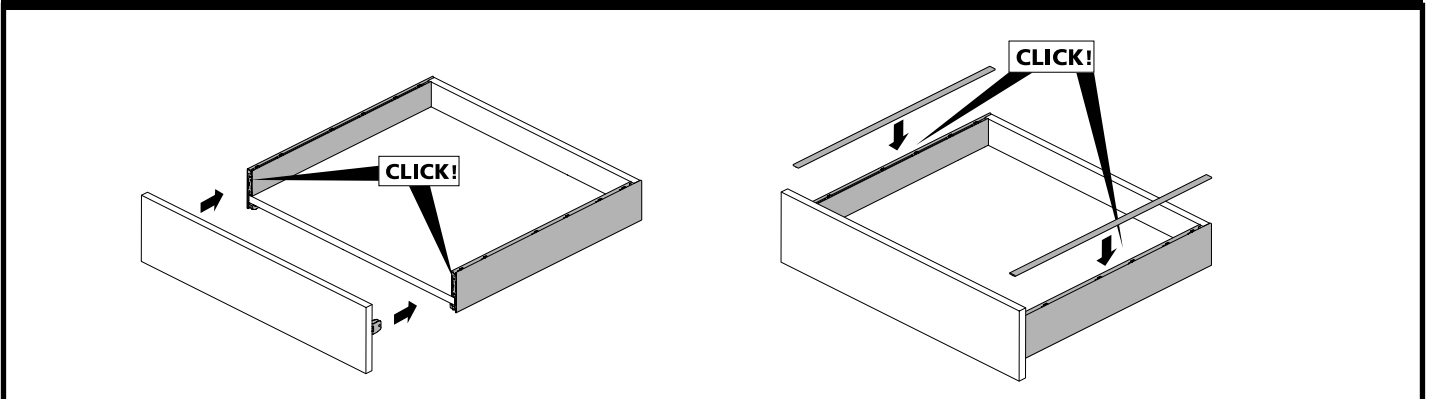
TILT ADJUSTMENT



TILT ADJUSTMENT

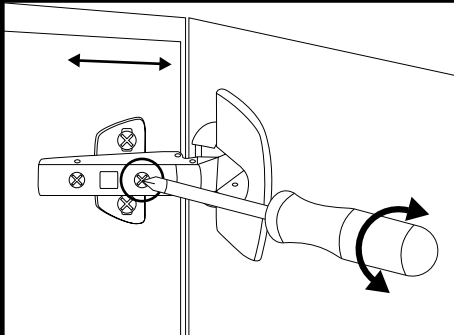


DRAWER FRONT INSTALLATION



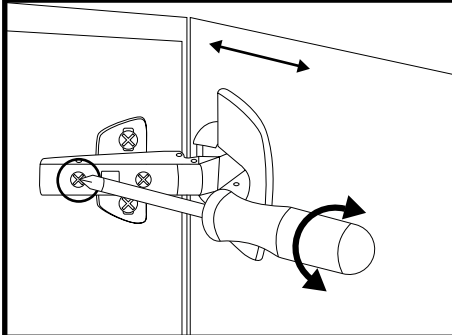
DOOR ADJUSTMENTS

SIDE ADJUSTMENT



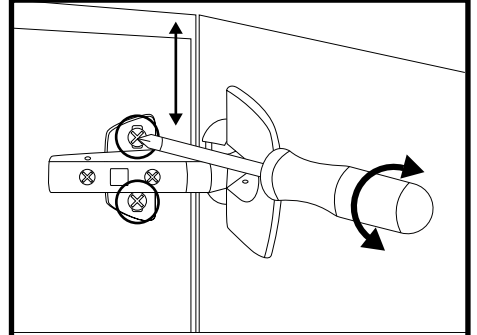
Adjust the screw closest to the door to move the door left or right relative to the carcass, or to level the doors.

DEPTH ADJUSTMENT



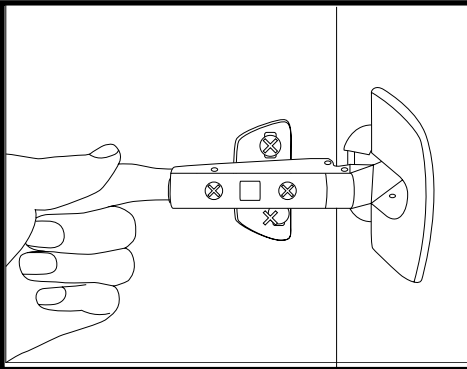
Adjust the screw further away from the door to move the door closer or further away from carcass.

HEIGHT ADJUSTMENT



Loosen the top and bottom screws on the hinge mounting plate and adjust the door height to desired location. Re-tighten the screws to secure the hinge in position.

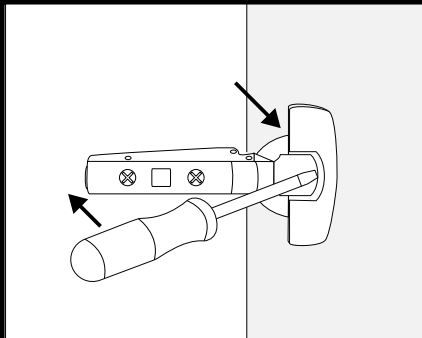
REMOVING AND INSTALLING DOORS



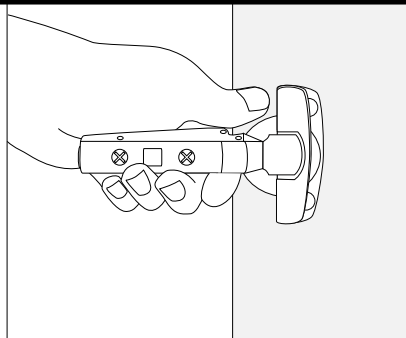
TO REMOVE DOORS: Apply finger pressure to the clip at the back of hinge and pull forward to release.

TO INSTALL DOORS: Align the door hinge with hinge mounting plate and push the back of the hinge towards the side of the carcass. You may need to apply some pressure. Listen for a 'click' which indicates the hinge has been secured in place.

REMOVING HINGE ON DOOR

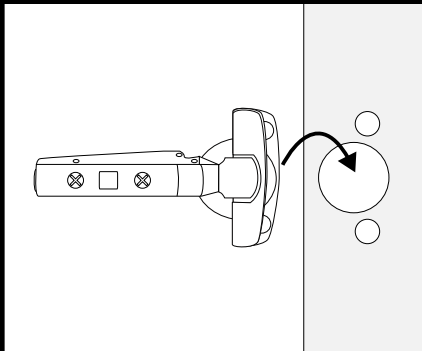


Remove the door from the cabinet and use a flat head screwdriver to lift and release the top hinge cover.

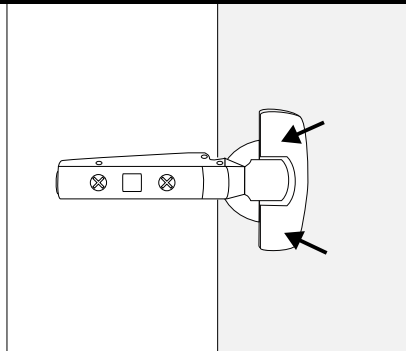


Pull the hinge up and out of the door. You may need to wiggle the hinge slightly to loosen it.

REPLACING HINGE ON DOOR



With the top hinge cover lifted, place the hinge into the hole in the door until it is flush with the door.



Once the hinge is in position, push the hinge cover down to lock it into place.