

RAIN HARVESTING
by Blue Mountain Co

+61 (0)7 3248 9600

rainharvesting.com.au

RAIN HARVESTING
by Blue Mountain Co

Leaf Eater Commercial

with The Hood



Installation and Specification Guide

PRODUCT DETAILS

Keep leaves and insects out of your rainwater system while capturing more rainwater by minimising splashing with The Hood.

RHCL61 150mm/6"

FEATURES AND BENEFITS

- The Hood prevents splashing from the front of the screen, maximising your water catchment
- Designed for commercial applications
- Built to handle flow rates up to and exceeding 25 litres per second
- Easy maintenance
- 0.955mm stainless steel mesh screen keeps out debris, pests, and mosquitoes

Installation

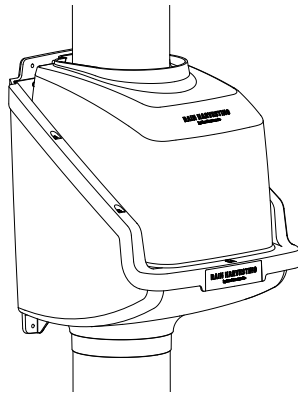
WHAT'S IN THE BOX?

- Leaf Eater Commercial Body
- Leaf Eater Commercial Screen
- Leaf Eater Commercial Hood
- Screws

TOOLS/MATERIALS YOU MAY REQUIRE

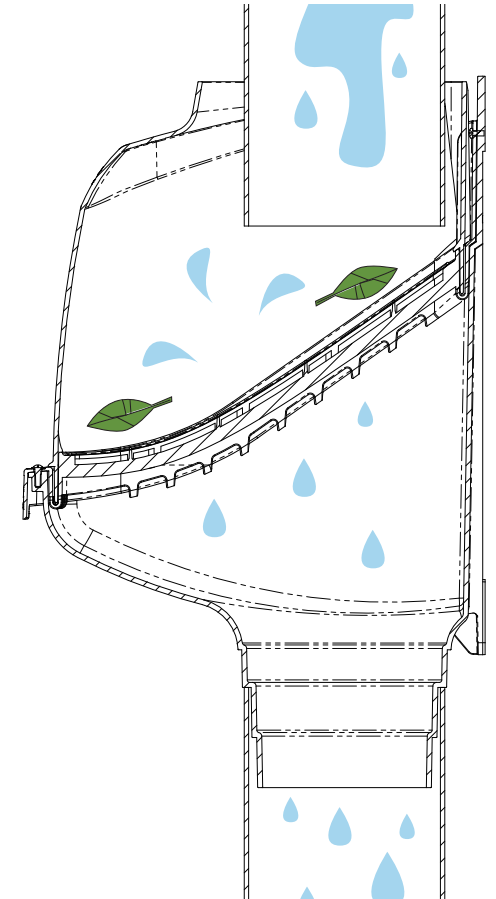
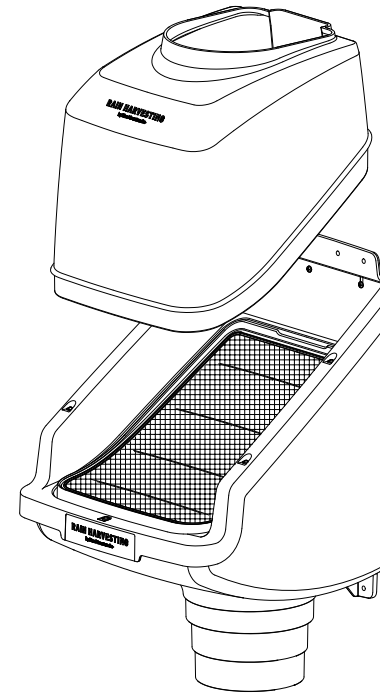
- Tape measure
- Marker pen
- Saw
- Pipe Brackets
- Screws for mounting
- Screwdriver or drill

INSTALLATION



1. Locate the position at which you will be installing your Leaf Eater Commercial with The Hood. Whether this is directly under your eave or midway down your downpipe, it should be a minimum of 500mm above your tank inlet and tank overflow pipe.
2. Cut and bracket your bottom downpipe to the wall, being sure to offset it 30mm from the wall, if it isn't already offset.
3. Insert your Leaf Eater Commercial with The Hood into the pipe and mark the top and bottom flange fastening holes. Remove your rain head and prepare the necessary fastening points. Then reinsert your rain head and fasten it to the wall, ensuring it's adequately supported by the wall structure.
4. Cut your upper pipe so that it will sit at least 20mm below the top of the hood when installed.
5. Slide The Hood cover up the top section of pipe and lower the bottom skirt into the corresponding channel on the screen.

HOW IT WORKS

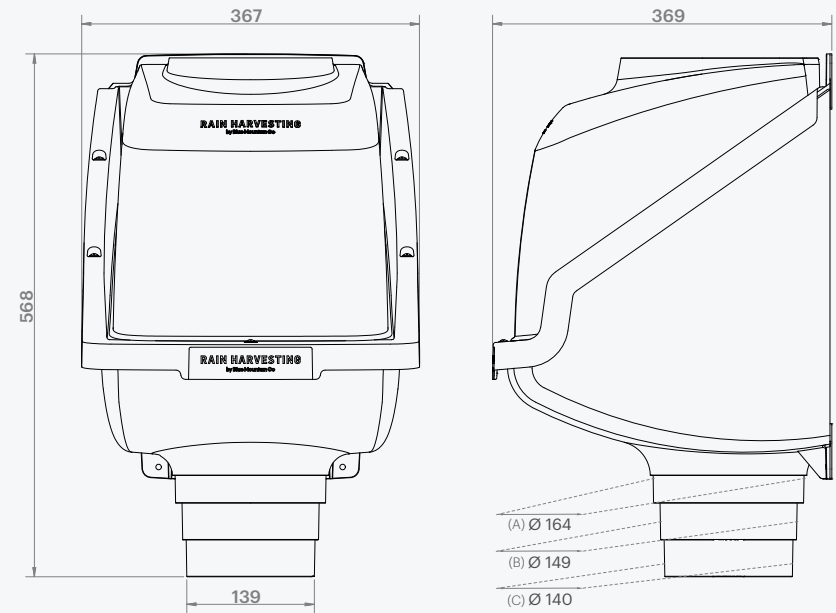


MAINTENANCE

1. Slide The Hood cover up your inlet pipe and undo the screws to remove The Hood screen.
2. With the screen removed, either brush off or wash the debris from the screen.
3. Reinsert the screen into the Leaf Eater Commercial body, making sure it is fully seated all the way around and flush with the body. Secure the screen to the body using the screws.
4. Reinstall the cover, making sure that the skirt around the edge is fully seated in the corresponding channel on the screen.

PRODUCT DIMENSIONS

Leaf Eater Commercial with The Hood
RHCL61 150mm / 6"



ALL DIMENSIONS IN MM UNLESS OTHERWISE STATED.

Pipe Fitment

RHCL61	150mm / 6"	A - For attaching flexible coupling
		B - Fits into DN150 DWV, 6" SCH40 & 6" SDR35
		C - Fits into DN150 Pressure Pipe