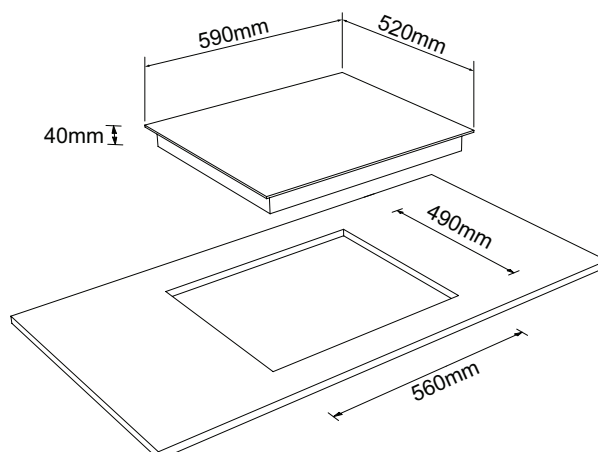


FRANKE

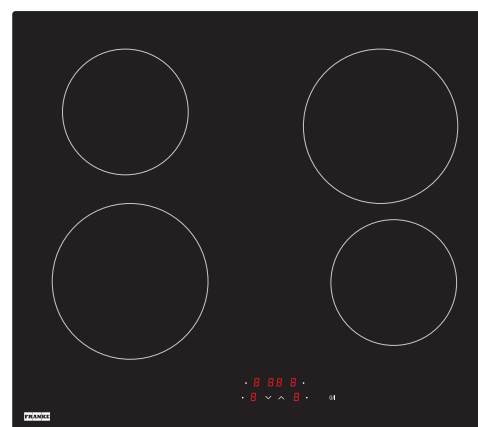
DESIGNER CERAMIC COOKTOP 60 CM



Dimensions are nominal measurements only.

SPECIFICATIONS

Recommended use	Domestic
Material	Black Glass
Colour availability	Black
Weight	9kg
Dimensions	40 x 590 x 520mm
Zones	4
Control type	Touch
Voltage	220-240V/50-60
Max power KW	6.0
FR Capacity (KW)	1.8
BR Capacity (KW)	1.2
FL Capacity (KW)	1.8
BL Capacity (KW)	1.2
Highlight	Yes
Auto shut-off	Yes
Overheat indicator	Yes
Power connection	Hardwired



To see the complete FRANKE range go to www.reece.com.au/bathrooms

CLEANING RECOMMENDATIONS

- Switch-off the appliance before cleaning.
- Do not clean the hob if the glass is too hot because there is a risk of burn.
- Remove light marks with a damp cloth with washing up liquid diluted in a little water. Then rinse with cold water and dry the surface thoroughly.
- Highly corrosive or abrasive detergents and cleaning equipment likely to cause scratches must be absolutely avoided.
- Do not ever use any steam-cleaner or pressure washer.
- Do not use any object that may scratch the ceramic glass.
- Ensure that the pan is dry and clean. Ensure that there are no grains of dust on your ceramic hob or on the pan. Sliding rough saucepans will scratch the surface.
- Spillages of sugar, jam, jelly, etc. must be removed immediately. You will thus prevent the surface being damaged.
- Damage caused by any improper treatment is not covered by the product warranty. Refer to Warranty Conditions.

FRANKE

DESIGNER CERAMIC COOKTOP 60CM

INSTALLATION INSTRUCTIONS

The installation comes under the exclusive responsibility of specialists.

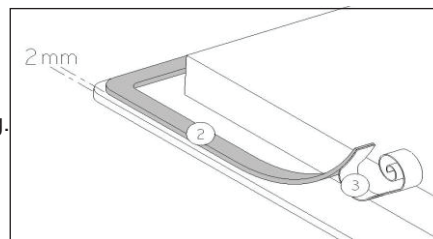
The installer is held to respect the legislation and the standards enforce in his home country.

How to stick the gasket:

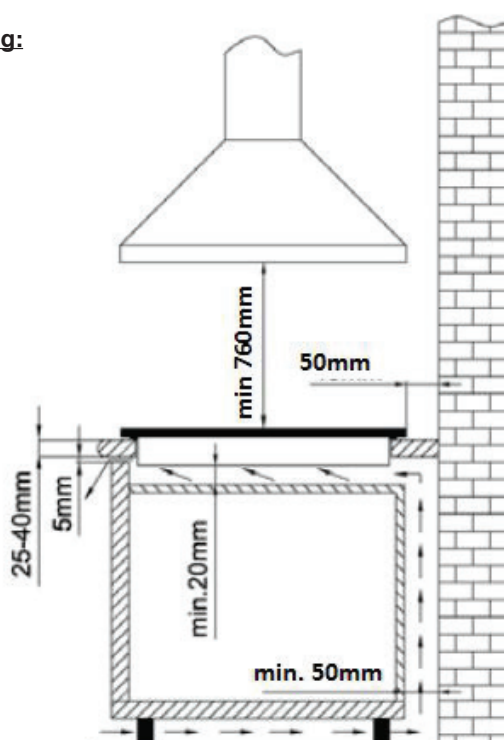
The gasket supplied with the hob avoids all infiltration of liquids in the cabinet.

This installation has to be done carefully, in conformity of the following drawing.

- Stick the gasket (2) two millimetres from the external edge of the glass, after removing the protection sheet (3)



Fitting - installing:



The cut out sizes are:

Ref.	Cut size		Cut size flush mounting			Glass size		
	Width	Depth	Width	Depth	Radius	Width	Depth	Thickness
FRE604B1	560	490	596	526	8	590	520	4

- Ensure that there is a distance of 50 mm between the hob and the wall or sides.
- The hobs are classified as “Y” class for heat protection. Ideally the hob should be installed with plenty of space on either side. There may be a wall at the rear and tall units or a wall at one side. On the other side, however, no unit or divider must stand higher than the hob.
- The piece of furniture or the support in which the hob is to be fitted, as well as the edges of furniture, the laminate coatings and the glue used to fix them, must be able to resist temperatures of up to 100 °C.
- The mural rods of edge must be heat-resisting.
- Do not install the hob to the top of a non ventilated oven or a dishwasher.
- To guarantee under the bottom of the hob casing a space of 20 mm to ensure a good air circulation of the electronic device.
- If a drawer is placed under the work, avoid to put into this drawer flammable objects (for example: sprays) or not heat-resistant objects.

Plumbers, please ensure a copy of the installation instructions is left with the end user for future reference

FRANKE

DESIGNER CERAMIC COOKTOP 60CM

INSTALLATION INSTRUCTIONS

- Materials which are often used to make worktops expand on contact with water. To protect the cut out edge, apply a coat of varnish or special sealant. Particular care must be given to applying the adhesive joint supplied with the hob to prevent any leakage into the supporting furniture. This gasket guarantees a correct seal when used in conjunction with smooth work top surfaces.
- The safety gap between the hob and the cooker hood placed above must respect the indications of the hood manufacturer. In case of absence of instructions respect a distance minimum of 760 mm.
- The connection cord should not be subjected to mechanical constraint, for example a drawer.
- **WARNING:** Use only hob guards designed by the manufacturer of the cooking appliance or indicated by the manufacturer of the appliance in the instructions for use as suitable or hob guards incorporated in the appliance. The use of inappropriate guards can cause accidents.

ELECTRICAL CONNECTION

- The installation of this appliance and the connection to the electrical network should be entrusted only to an electrician perfectly to the fact of the normative regulations and which respects them scrupulously.
- Protection against the parts under tension must be ensured after the building-in.
- The data of connection necessary are on the stickers placed on the hob casing near the connection box.
- The connection to the main must be made using an earthed plug or via an omnipolar circuit breaking device with a contact opening of at least 3 mm.
- The electrical circuit must be separated from the network by adapted devices, for example: circuit breakers, fuses or contactors.
- If the appliance is not fitted with an accessible plug, disconnecting means must be incorporated in the fixed installation, in accordance with the installation regulations.
- The inlet hose must be positioned so that it does not touch any of the hot parts of the hob.

CAUTION!

This appliance must only be connected to a network 230 V~ 50/60 Hz.

Always connect always the earth wire.

Respect the connection diagram.

The connection box is located underneath at the back of the hob casing. To open the cover use a medium screwdriver. Place it in the slits and open the cover.

We cannot be held responsible for any incident resulting from incorrect connection or which could arise from the use of an appliance which has not been earthed or has been equipped with a faulty earth connection.

CONNECTION OF THE HUB FOR:

Mains	Connection	Supply Cord	Supply Cord	Circuit Braker
230V~ 50/60Hz	1 Phase + N	3 x 2,5mm ²	H 05 VV - F H05 RR - F	25 A *
400V~ 50/60 Hz	2 Phases + N	4 x 1.5 mm ²	H 05 VV - F H 05 RR - F	16 A *

* calculated with the simultaneous factor following the standard EN 60 335-2-6

Connection of the hob

For the various kinds of connection, use the brass bridges which are in the box next the terminal

Monophase 230V~1P+N

Put the 1st bridge between terminal 1 and 2

Attach the earth to the terminate "earth", the neutral N to terminal 4, the Phase L to one of the terminals 1 or 2.

Biphase 400V~2P+N

Attach the earth to the terminate "earth", the neutral N to terminal 4, the Phase L1 to the terminals 1 and the Phase L2 to the terminal 2.

