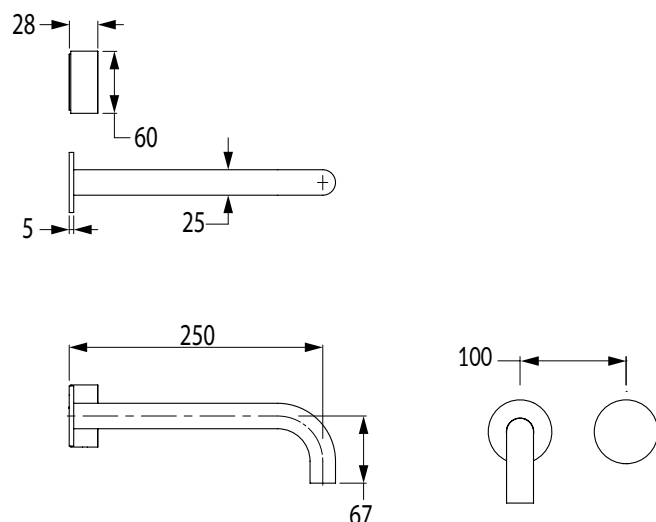


MILLI

PURE PROGRESSIVE BATH MIXER SYSTEM 250MM



Dimensions are nominal measurements only.

SPECIFICATIONS

Recommended Use	Domestic, Hotel and Commercial
Finish	Chrome, Matt Black, Rose Gold, Brushed Gunmetal
Pressure Rating	Recommended working pressure 300 - 500Kpa
Temperature Rating	Max continuous working temperature 65 deg. C
Suitable Hot Water Units	Storage Tank: Yes Continuous Flow: Yes Gravity Feed: Not recommended



To see the complete MILLI range go to
www.reece.com.au/bathrooms

CLEANING RECOMMENDATIONS

We recommend the use of soapy water or approved cleaners.

This product should not be cleaned with abrasive materials.

Damage caused by any improper treatment is not covered by the product warranty. Refer to Warranty Conditions.

MILLI

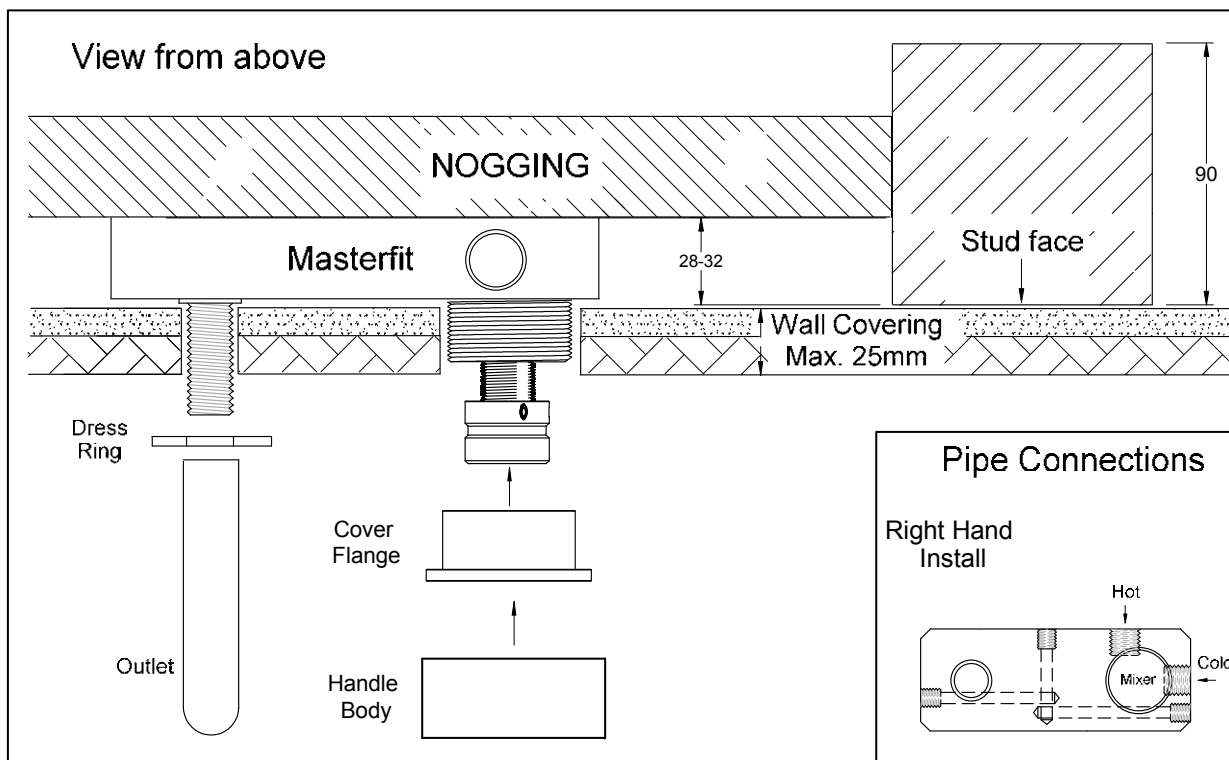
PURE PROGRESSIVE BATH MIXER SYSTEM 250MM

INSTALLATION INSTRUCTIONS

Tapware is to be installed by a Licensed Plumber in accordance with AS/NZS 3500:2003

Recommended working water pressure 300 - 500 Kpa.
Maximum water temperature is 65 deg.C.

ROUGH IN



ROUGH IN PLUMBING

Prior to installing, calculate the finished wall thickness to ensure enough adjustment is available when fitting the Handle.

The Masterfit is supplied with a plastic cover to protect the Mixer during Plastering and Tiling. The Hot/Cold Ports are marked on the shoulder of the Masterfit body to indicate the correct connection.

Note: The Masterfit is engraved as a right hand mount but can be mounted Left hand or Vertically provided the Hot and Cold connections are not altered.

Always connect the Hot/Cold to the indicated Ports even changing to Left hand or vertical arrangement. (See Pipe Connections)

Set a Nogging between 28 - 32mm back from the face of the wall stud. (see Fig. 1).

Using the screws provided, fix the Mixer to the Nogging.

Ensure the Masterfit is aligned square and well secured.

Flush all water feed lines. Pipes and fittings must be free from any dirt and debris before connecting to the Mixer.

Once all water fittings are connected, check Hot/Cold water flow by operating the Mixer.

Check for any water leaks.

Once all checks have been made, leave the Mixers in the closed position and replace the protective cover.

Store remaining parts in a safe place until wall coverings have been completed and final fit-off is required (see Dress finishing).

Plumber please note:

On-site high pressure line testing must be conducted with the Mixer in the closed position. (STATIC TEST ONLY)

Under no circumstances is the Mixer to be opened when exceeding the maximum stated water pressure.

At the completion of the testing, do not relieve any high pressure by opening the Mixer.

Exposing the internals of the Mixer Cartridge to higher than specified water pressures, will void the manufacturer's warranty.

Plumbers, please ensure a copy of the installation instructions is left with the end user for future reference

MILLI

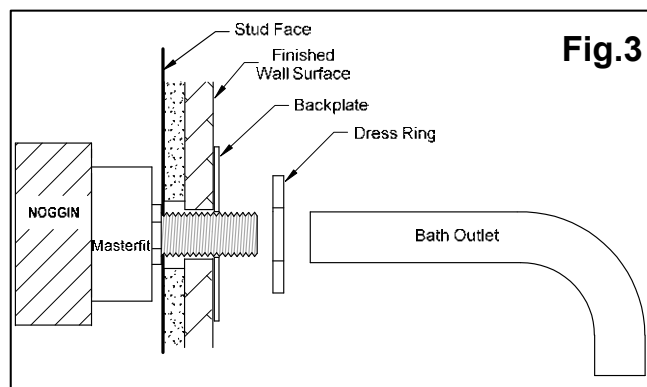
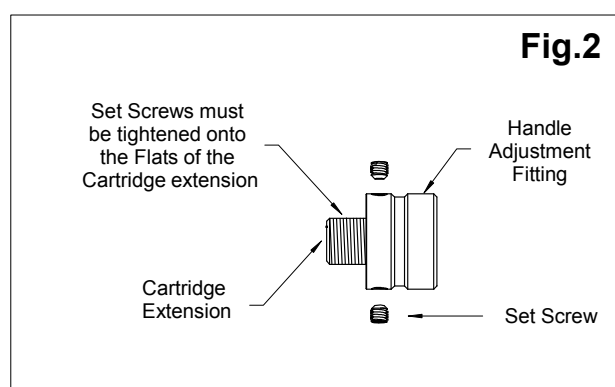
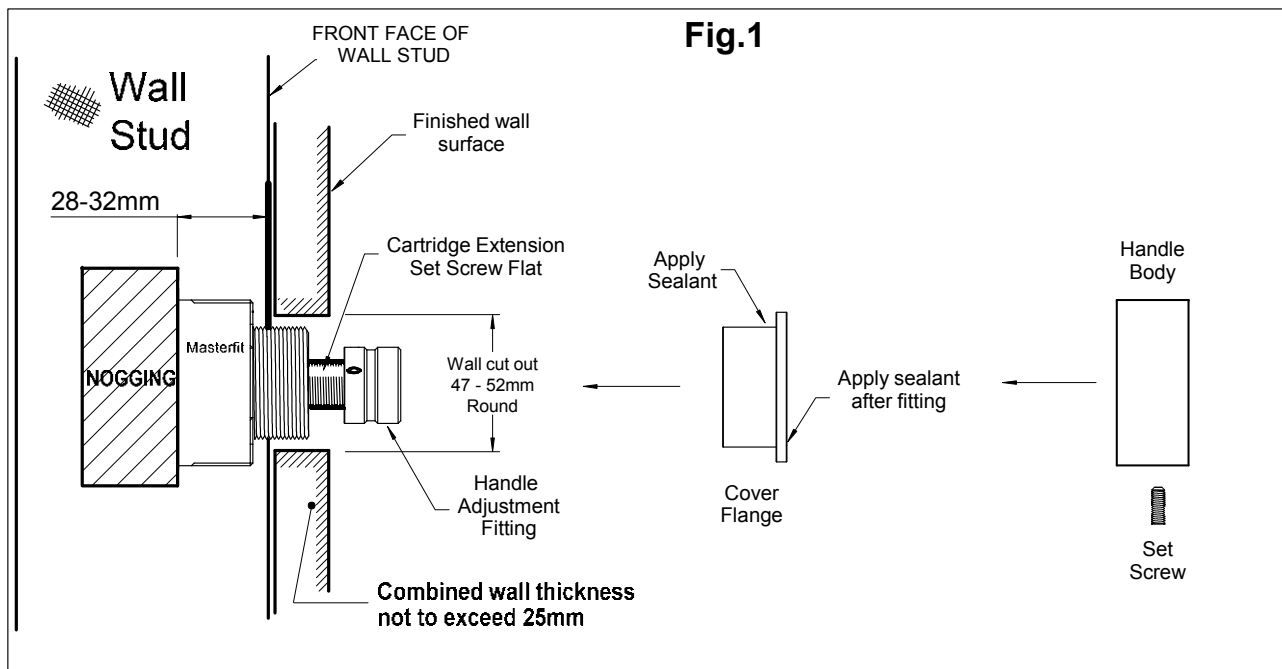
PURE PROGRESSIVE BATH MIXER SYSTEM 250MM

INSTALLATION INSTRUCTIONS

Tapware is to be installed by a Licensed Plumber in accordance with AS/NZS 3500:2003

Recommended working water pressure 300 - 500 Kpa.
Maximum water temperature is 65 deg.C.

FIT OFF



DRESS FINISHING AND HANDLE ADJUSTMENT

Prior to fit off ensure the correct size cut out around the Mixer has been achieved. (see Fig.1)
Apply sealant to the Cover Flange and fit to the Mixer until the shoulder meets the wall.
Once the Cover Flange has been fitted, apply a small amount of sealant to the inside of the Cover flange to water prove the installation.

Fit the Handle onto the Adjustment Fitting.
If adjustment is required, remove the Handle and loosen the Set Screws of the Adjustment Fitting.
Wind the Adjustment Fitting to reduce or increase the gap between the Wall and the Handle. (see Fig.2)

Once the gap from the Wall to the Handle is between 2-3mm, remove the Handle and tighten the Set Screws of the Adjustment Fitting.
When securing the Handle adjustment Fitting, ensure the Set Screws are tightened onto the flats of the Cartridge Extension. (see Fig.2)
Do not tighten the Set Screws on the threads of the Cartridge Extension.
Fit the Handle so the Set Screw is positioned at the bottom. (tighten well)
Note the Set screw must engage in the groove of the Adjustment Fitting.

OUTLET FIT OFF (see Fig.3)

Apply sealing tape (Teflon) to male thread.
Place Dress Ring over prepared male thread.
Fit and align the Outlet.

To complete installation, operate the Mixer(s) checking the flow of both hot and cold water from the Outlet.
Check all fittings and fixtures for water leaks

Plumbers, please ensure a copy of the installation instructions is left with the end user for future reference