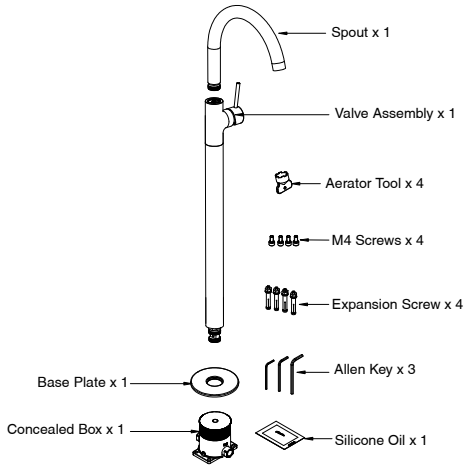
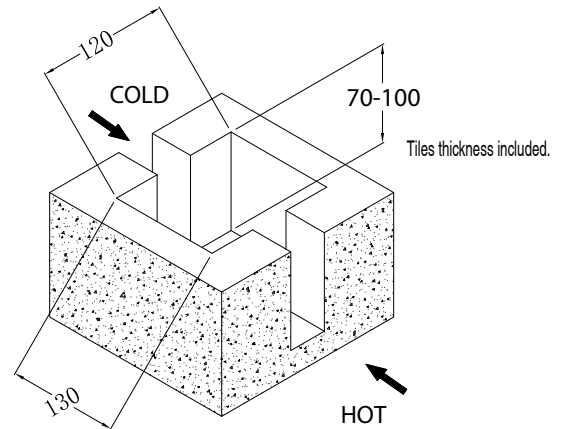


Mizu Drift Floor Mounted Bath Mixer Kit

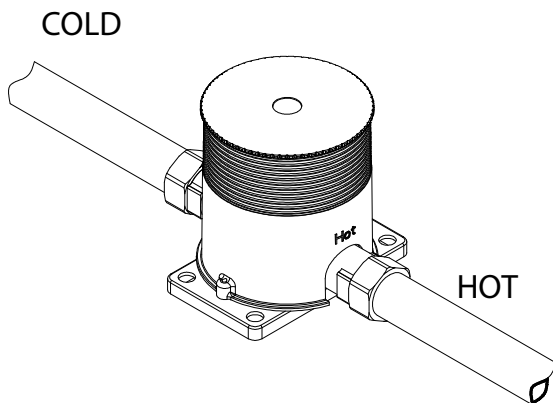
1. Prior to installation, please check if all the parts are complete.



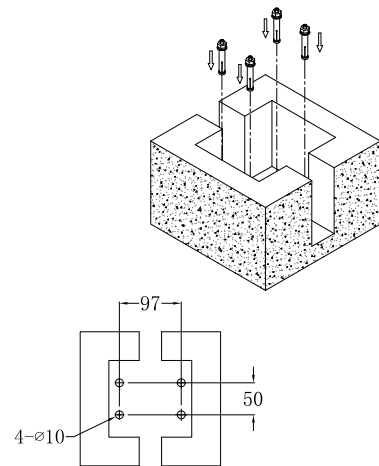
2. Cut slots according to the diagram below, note the depth includes tiles' thickness.



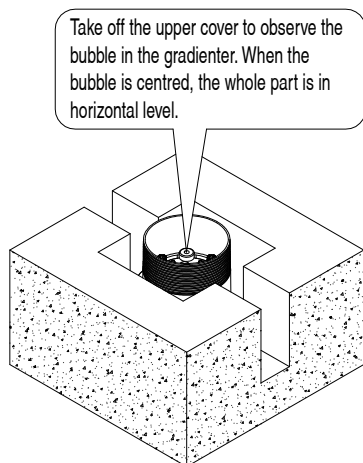
3. Connect the pipes with concealed box and then open the water supply to check if there is leakage.



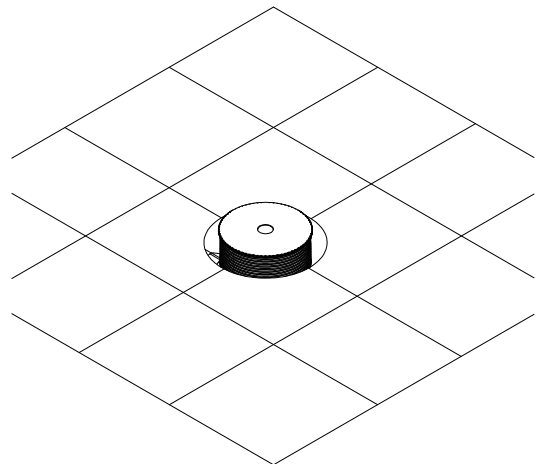
4. According to diagram below, drill 4 holes of 10mm on the ground. Then fit the expansion screws into the holes.



5. Make sure the concealed box is perfectly horizontal and then lock it up with expansion screws.



6. Put on the upper cover and tile the floor.



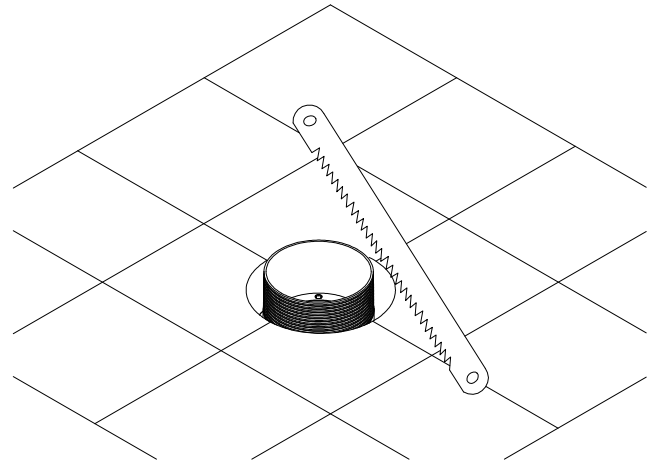
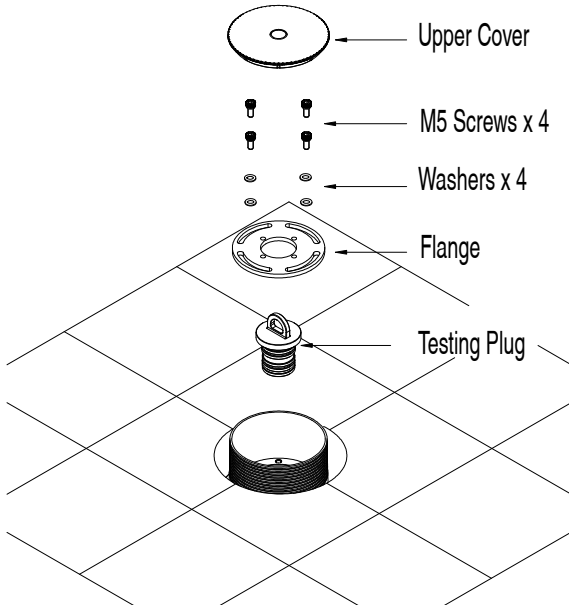
Please ensure a copy of the installation instructions is left with the end user for future reference.

Published 19/07/2024

Mizu Drift Floor Mounted Bath Mixer Kit

7. Take off the upper cover, M5 screws, washers, flange and testing plug. Carefully keep them for later use.

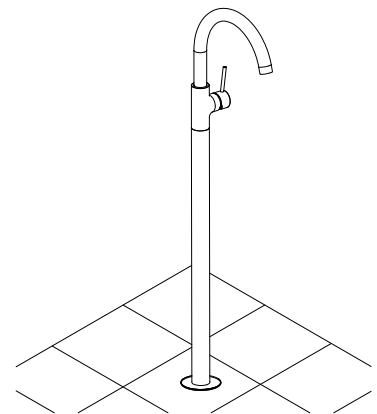
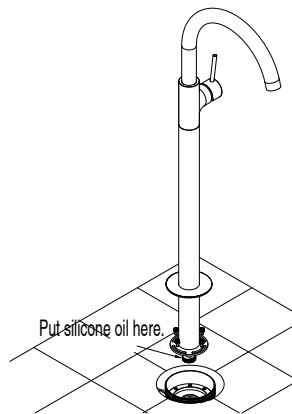
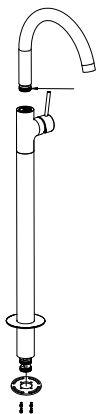
8. Use a saw or knife to cut off the unwanted part of the plastic sleeve, so that the box is flush with the floor.



9. Grease the spout end with silicone oil and then connect it with the valve body. Insert the valve body through the base plate and then secure the flange to the bottom of valve body with M4 screws.

10. Grease the bottom of valve assembly with silicone oil and then connect it with the concealed box with M5 screws.

11. Installation completed.



Please ensure a copy of the installation instructions is left with the end user for future reference.

Published 19/07/2024