

# Posh

## Posh Canterbury Hob Kitchen Set Lever (4\*)

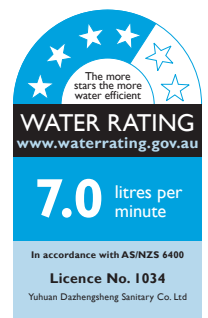
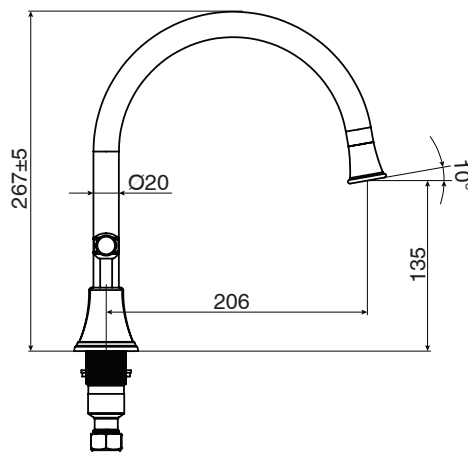
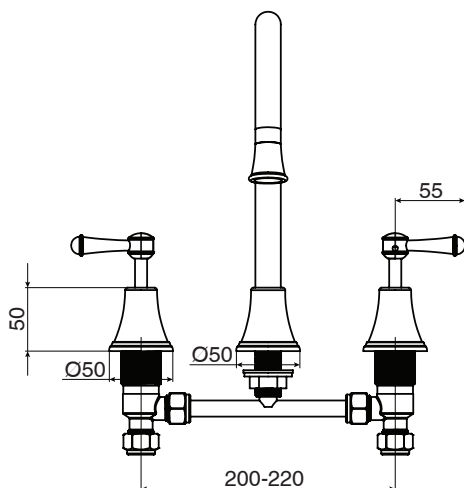
### SPECIFICATIONS

Recommended Use	Domestic, hotel and commercial
Colour	Chrome
Colour Availability	Chrome, Brass Gold
Material	Brass - DR
Recommended Pressure Range	150 - 500 kPa
Max Continuous Working Pressure	500 kPa
Max Continuous Working Temperature	80 deg C
Suitable for Storage Tank Hot Water	Yes
Suitable for Continuous Flow Hot Water	Yes
Suitable for Gravity Feed Hot Water	No

### WARRANTY

Warranty - Domestic Use	10 Years
Spare Parts & Labour	12 Months

*Please refer to Warranty Page for full Terms and Conditions*



Dimensions are nominal measurements only.

### CLEANING RECOMMENDATIONS:

We recommend the use of soapy water or approved cleaners. This product should not be cleaned with abrasive materials. Damage caused by any improper treatment is not covered by the product warranty. Refer to Warranty Conditions

**Disclaimer:** Products in this specification manual must by regulation be installed by licensed and registered trade people. The manufacturer/distributor reserves the right to vary specifications or delete models from their range without prior notification. Dimensions are nominal measurements only. Dimensions and set-outs listed are correct at time of publication however the manufacturer/distributor takes no responsibility for printing errors.

Published 14/08/2018

To see the complete Posh range go to [www.reece.com.au/bathrooms](http://www.reece.com.au/bathrooms)

