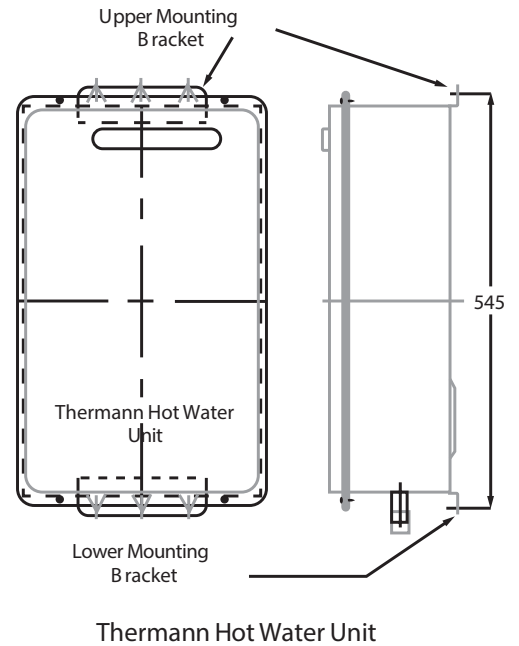
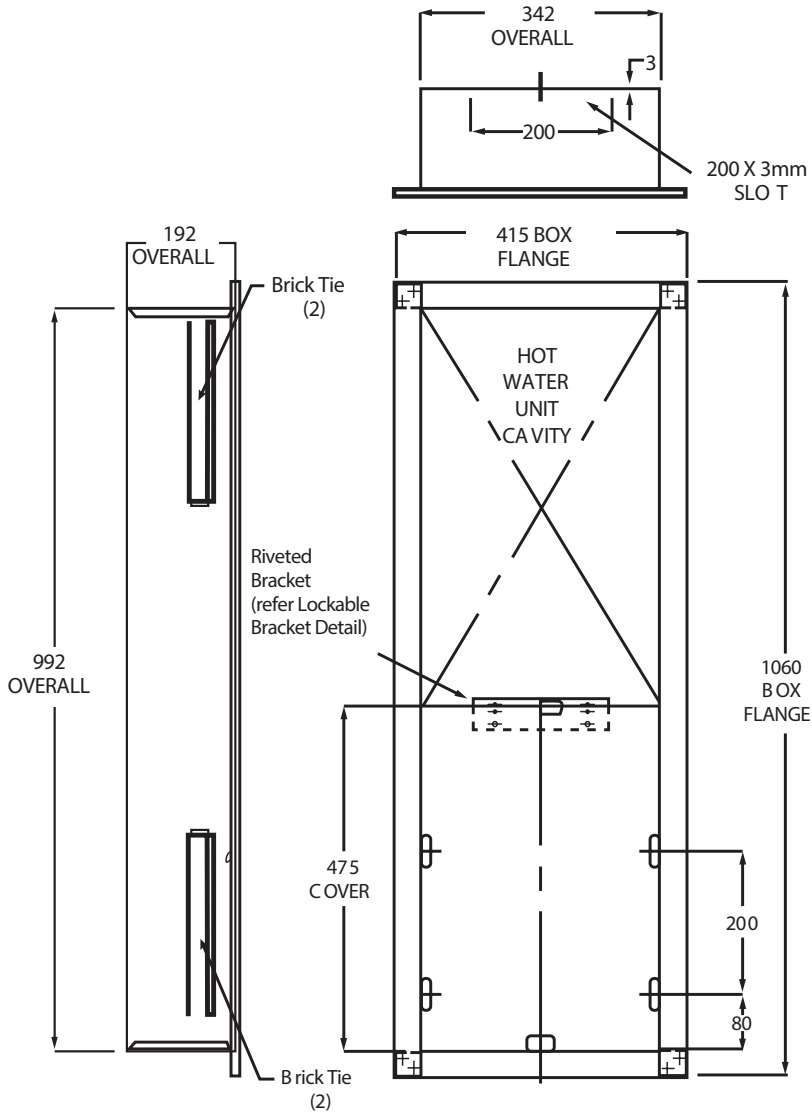


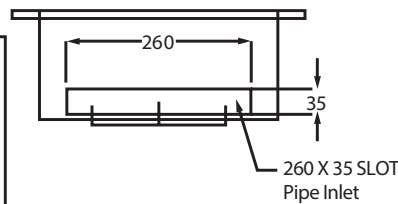
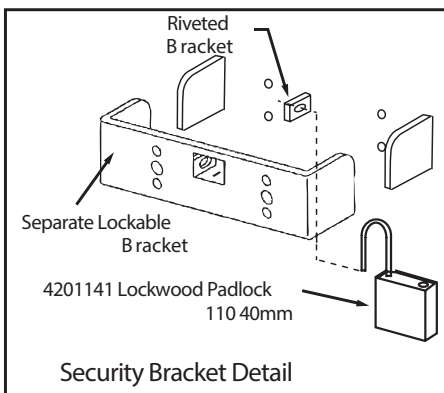
RECESS BOX WITH SECURITY BRACKET

For Thermann 6*Gas Continuous Flow Water Heater

Models: - 16NG50-6/16LP50-6, 16NG60-6/16LP60-6, 20NG50-6/20LP50-6, 20NG60-6/20LP60-6, 26NG50-6/26LP50-6, 26NG60-6/26LP60-6



The location of the Recess Box installation must comply with AS 5601



Model number

20NG50-6 / 20LP50-6 EXTERNAL GAS WATER HEATER			
SAIG APPROVAL No.		GSCS20021	
		NAT.G	LPG
INPUT	MJ/h	158	158
OUTPUT	kW	35.5	35.5
TEST POINT PRESSURE HIGH	kPa	0.80	1.40
TEST POINT PRESSURE LOW	kPa	0.160	0.195
GAS INJECTORS	mm	0.95/1.45	0.65/0.95
WEIGHT	kg	15	15
MAX. WATER PRESSURE	kPa	1200	1200
MIN. WATER PRESSURE	kPa	90	90
WATER HEATING CAPACITY	12.5L/min RAISED 40°C		
VOLTAGE AC240V 50Hz	0.45AMPS		
INGRESS PROTECTION RATING	IPX4		



N15519

SERIAL No. 0000.00-0000000

20767150

Serial number

NOTE: Before installing your hot water unit, copy the serial number and model number information from the rating label located on the side of the water heater to the inside page of the *Thermann Installation manual* for future reference.

Installation Instructions

Fitting Recess Box into a new masonry wall:

When the masonry wall is laid, the Thermann Recess Box can be installed in position:

- Snap out the 4 brick ties and fold them out.
- Fit Recess Box into the brickwork opening.
- Bend and fix brick ties into masonry joints with mortar while masonry is being laid and check box is level.
- Allow mortar to thoroughly cure before fitting hot water unit into Recess Box.

Fitting Recess Box into an existing wall:

- Prepare the opening in the wall for the Recess Box with 2mm clearance around it (cavity size = 346 wide x 996mm high).
- Position Recess Box into wall cavity.
- Drill holes in both sides of the Recess Box at pre-determined fixture points.
- Anchor Recess Box firmly into position using suitable fasteners.

Fitting Thermann Water Heater into Recess Box:

1. Run hot and cold water supplies, gas and power up into the Recess Box through 260x35mm inlet slot in bottom panel of box.
2. Fit the hot water heater into the Recess Box by sliding Upper Mounting Bracket through the 200 x 3mm slot in the top panel. Locate the Lower Mounting Bracket over the centre protruding tongue and sides of the riveted bracket.
3. Fitting separate, security bracket to the hot water heater:
 - The lower mounting bracket of the heater is already fitted over the riveted bracket (previous step) supporting the hot water heater.
 - Fit the separate lockable security bracket over the riveted bracket, lining up the holes in the tongues.
 - Padlock (Reece code 4201141 - Lockwood Padlock 110 40mm) can be fitted through the tongues of both brackets for security.
4. Connect hot and cold water and gas services to the Thermann Continuous Flow Water Heater. Refer to Thermann Installation Instructions for connection details.
5. A weatherproof power outlet can be fitted inside Thermann Box. Refer to Thermann Installation Instructions for more details.
6. Weatherproof the Recess Box if required, along external joints and around pipework where it enters the bottom of the box. Use a weatherproof sealant.
7. Check for gas and water leaks. Test the hot water heater, refer to Thermann Installation Instructions for detail.
8. Fit the access cover to the Recess Box.