



## Mizu Drift Heated Towel Rail 850 x 550 Polished Stainless Steel

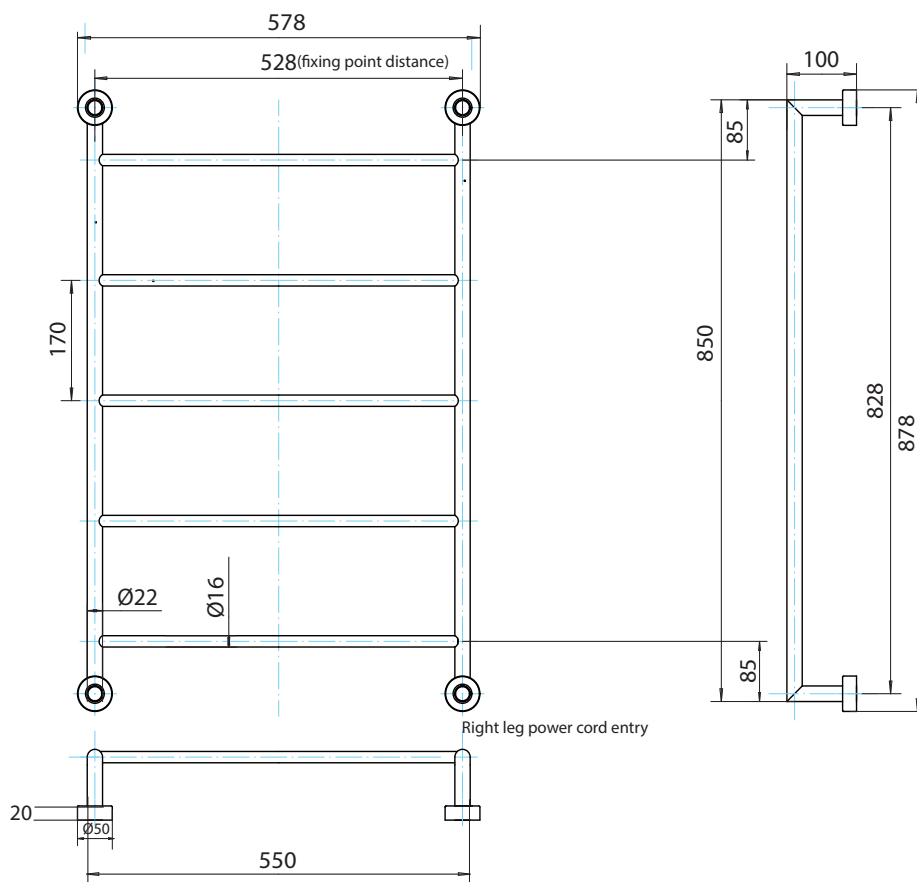
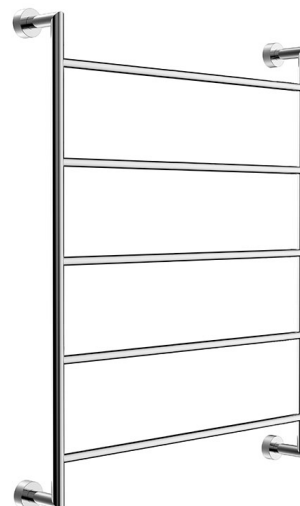
### SPECIFICATIONS

Recommended Use	Domestic, Hotel & Commercial
Material	Polished stainless Steel (304)
Options	Hardwired Only
Heating Method	Dry Element
Power Entry	Right leg bottom
Voltage	230V AC 50Hz
Wattage	55 watts
IP Rating	IP45
Standard	AS/NZ 60335.1 AS/NZS 60335.2.43 EN 55014-1

### WARRANTY

Warranty - Domestic Use	7 Years
Spare Parts & Labour	12 Months

*Please refer to Warranty Page for full Terms and Conditions*



Dimensions are nominal measurements only.

**Disclaimer:** Products in this specification manual must by regulation be installed by licensed and registered trade people. The manufacturer/distributor reserves the right to vary specifications or delete models from their range without prior notification. Dimensions are nominal measurements only. Dimensions and set-outs listed are correct at time of publication however the manufacturer/distributor takes no responsibility for printing errors.

Published 09/03/2018

To see the complete Mizu range go to  
[www.reece.com.au/bathrooms](http://www.reece.com.au/bathrooms)

