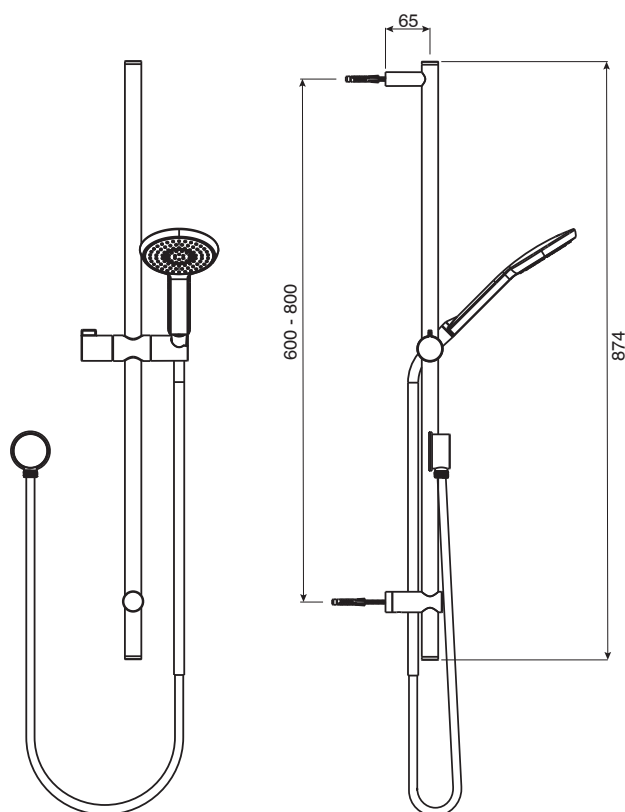


NIKLES

PEARL RAIL SHOWER



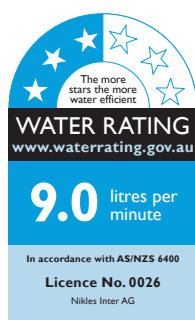
To see the complete Nikles range go to www.reece.com.au/bathrooms

SPECIFICATIONS

Recommended use	Domestic, hotel and commercial
Colour availability	Chrome
Pressure rating	Suitable for high pressure applications and has been WELS certified to the following: Minimum operating pressure 150kPa Maximum operating pressure 500kPa
Temperature rating	Maximum hot temperature 60°C (recommended 42°C) Minimum temperature 1°C
WELS	Stars: 3 Flow rate: 9 L/min
Suitable Hot Water Units	Gravity Fed: No
Standards	AS/NZS 3662

CLEANING RECOMMENDATIONS

This product should not be cleaned with abrasive materials. Damage caused by any improper treatment is not covered by the product warranty - refer to Warranty Condition.



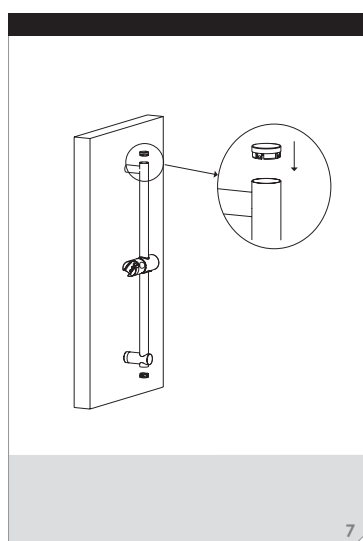
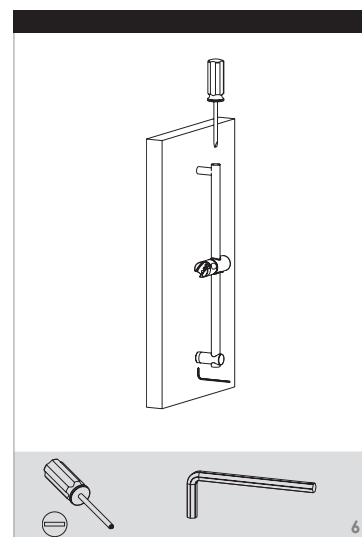
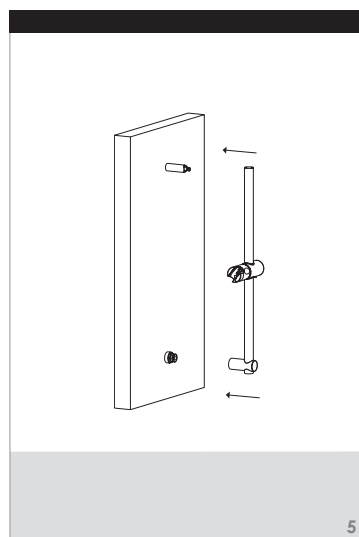
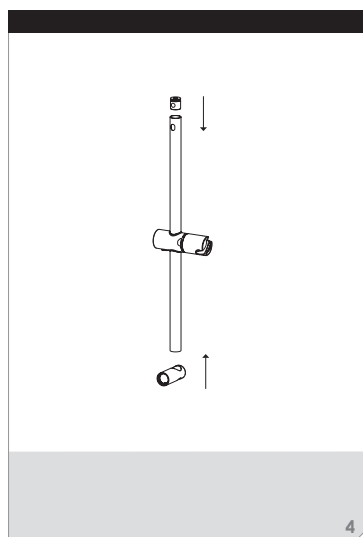
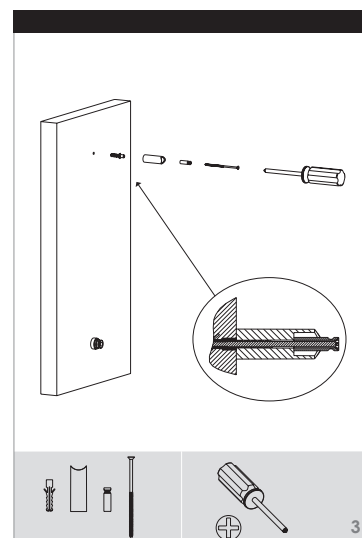
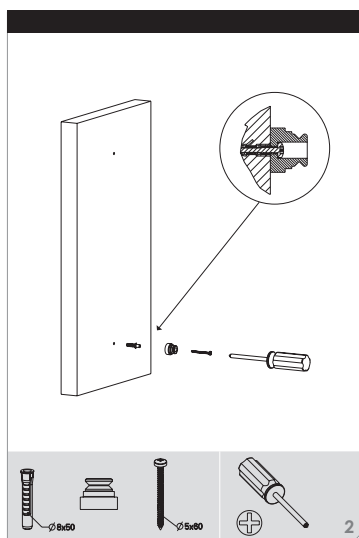
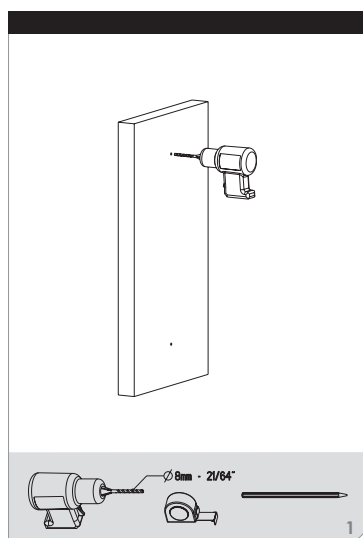
Disclaimer: Products in this specification manual must by regulation be installed by licensed and registered trade people. The manufacturer/distributor reserves the right to vary specifications or delete models from their range without prior notification. Dimensions are nominal measurements only. Dimensions and set-outs listed are correct at time of publication however the manufacturer/distributor takes no responsibility for printing errors.

Tech Page Version 2



NIKLES PEARL RAIL SHOWER

INSTALLATION INSTRUCTIONS



Plumbers, please ensure a copy of the installation instructions is left with the end user for future reference

