

# ZH-6195L

## HYDRAULIC CONCEALED FLUSH VALVE

Dimensional Data (mm) are Subject to Manufacturing Tolerances and Change Without Notice



### ENGINEERING SPECIFICATION

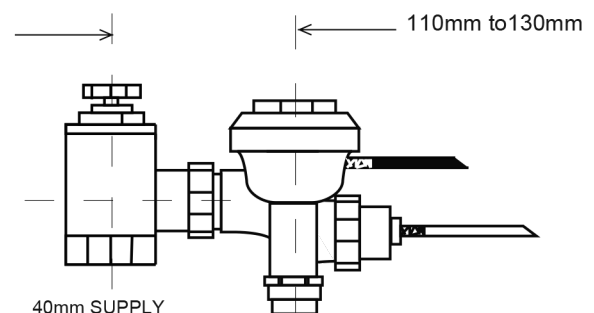
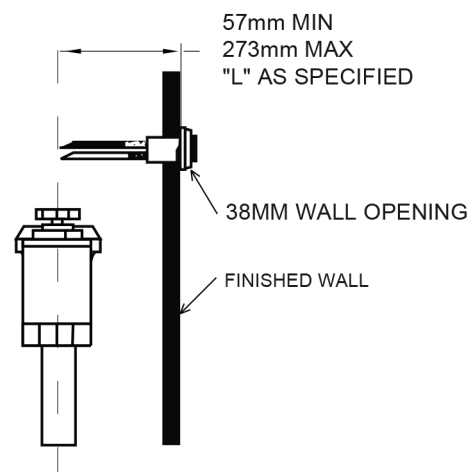
- Suits back entry toilet pans - ZH-6152L
- Suits wall hung urinals - ZH-6195L
- Min water supply pressure - 40kPa
- Max water supply pressure - 300kPa
- Flush volume - 6L toilet pans / 2L urinals
- Inlet connection - 40mm BSP female
- Flush valve outlet suits 40mm flush pipe

### PRODUCT INFORMATION

The Aquaflush valve is diaphragm operated rough brass flush valve. The valve incorporates a non-hold open type feature with a push button actuator that may be located up to 900mm from the valve and a 40mm wheel operated stop valve. The valve is furnished complete with 40mm flush tube nut.

### STANDARDS COMPLIANCE

- Watermarked Approved - WM-000307
- WELS Registration No. U00469
- WELS – 3 Star – 1.1L



### OPTIONS

CODE	DESCRIPTION
ZH-6152BX12	300x300mm stainless steel panel and frame
SS-300H18	300x300mm stainless steel panel w/ 18mm centre hole
SSP-300	300x300mm stainless steel panel and frame w/ concealed fixings
FPCP-40	40x450x450mm chrome plated copper flush pipe