

Liano Nexus

Ceramic Wall Basin

Basin Size: 450mm x 400mm (nominal)

Ceramic Shroud



Tapware shown not included.

The **Liano Nexus** wall basin is part of an extensive range of co-ordinated basins that allows continuity of design throughout the project where basins of matching design for different applications are required. Available with optional shroud, this basin is suitable for domestic, commercial and accessible applications complying to AS 1428.1-2009 Amd. 1.*

Tap Holes: Basin available in: No taphole Code No.665605 and one taphole Code No.665615.

Waste Outlet: The basin has been designed for the Caroma Chrome Flush Fitting Waste (supplied) which is suitable for a 40mm trap connection. Alternative waste options are available — Chrome Waste Code No.687328C, Vandal Resistant Flush Fitting Chrome Waste Code No.687141, Covered Chrome Plug and Waste Code No.687142, Vandal Resistant Covered Chrome Plug and Waste Code No.687143 and Chrome Pop-Up Plug and Waste Code No.687329C.

Shroud: **Optional Liano Nexus Shroud**, Code No.812270 completely conceals P-trap waste pipe fittings, concealed fixing bracket supplied. 40mm Caroma short plastic P-trap is required for correct installation Code No.102115.

Note: It is essential for the installation of the shroud to the basin that clearance is provided for the shroud in the plumbing setout from water inlet pipes and connections.

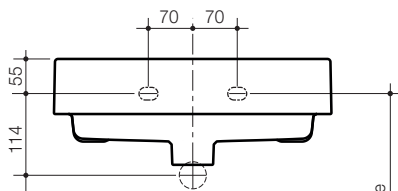
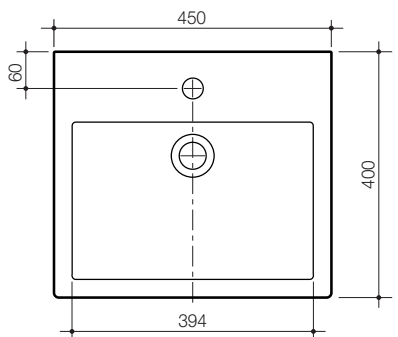
Bowl Capacity: 5 litres to overflow

Overflow: Overflow available only. Designed for maximum tap flow rate of 15 litres/minute.

Fixing: **D.200 Basin Fixing Kit** – Supplied. Bolts directly to the finished wall.

Colours: White only.

Dimensions: All dimensions are in millimetres and are subject to normal manufacturing variations. Caroma pursues a policy of continuing improvement in design and performance of its products. The right is therefore reserved to vary specifications without notice.



40mm Caroma Plastic Short P-trap outlet centre Code No. 102115

775 approx. D.200 Fixing Centre

Finished Floor

* Reference must be made to the AS 1428.1-2009 Amd. 1 to confirm installation requirements.

All dimensions are in millimetres and are subject to normal manufacturing variations. Caroma pursues a policy of continuing improvement in design and performance of its products. The right is therefore reserved to vary specifications without notice.



D.200 Basin Fixing Kit included with basin

