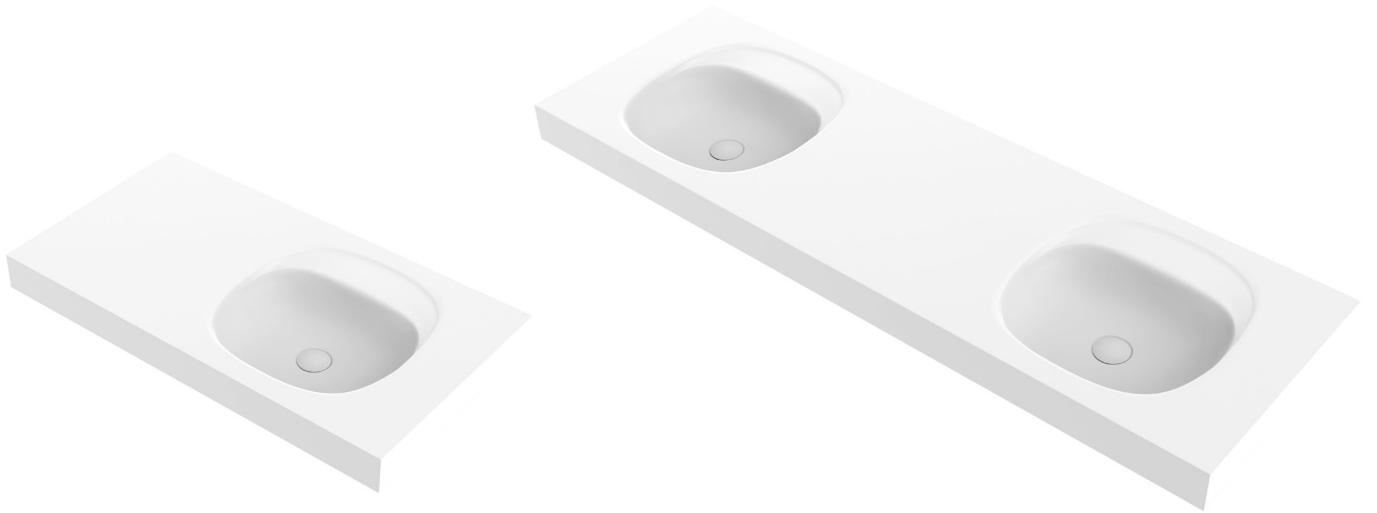


# KADO

## Lussi Basin - Rear Shelf



SPECIFICATIONS	
<b>Recommended Use</b>	Domestic, Hotel & Commercial
<b>Material</b>	Solid Surface
<b>Finish</b>	Matte
<b>Colour</b>	White
<b>Basin Type</b>	Wall Mounted
<b>Basin Configuration</b>	CENT Bowl, LH Bowl, RH Bowl or DBL Bowl
<b>Fixing</b>	Bolted/screwed to wall by licensed trades person Basin fixing kit supplied
<b>Tap Hole Availability</b>	Single basin: 0 or 1 tap hole Double basin: 0 or 2 tap holes
<b>Overflow</b>	Yes
<b>Waste</b>	Supplied with 32-40mm waste with white s/surface plug
<b>Trap</b>	Sold separately

STANDARD SIZES	700	900	1200	1500 SGL	1500 DBL	1800 DBL
<b>Width (mm)</b>	700	900	1200	1500	1500	1800
<b>Depth (mm)</b>	480	480	480	480	480	480
<b>Height (mm)</b>	80	80	80	80	80	80
<b>Weight (kg)</b>	16	20	26	32	31	38
<b>Capacity (lt)</b>	4.4	4.4	4.4	4.4	4.4 (x2)	4.4 (x2)
<b>Bowl Configuration</b>	Centre	Left/Right	Left/Right	Left/Right	Double	Double
<b>Tap Hole</b>	0 or 1	0 or 1	0 or 1	0 or 1	0 or 2	0 or 2
<b>DDA Compliant</b>	Yes	Yes	Yes	Yes	Yes	Yes

Dimensions are nominal measurements only.

Disclaimer: Products in this specification manual must by regulation be installed by licensed and registered trade people. The manufacturer/distributor reserves the right to vary specifications or delete models from their range without prior notification. Dimensions are nominal measurements only. Dimensions and set-outs listed are correct at time of publication however the manufacturer/distributor takes no responsibility for printing errors.

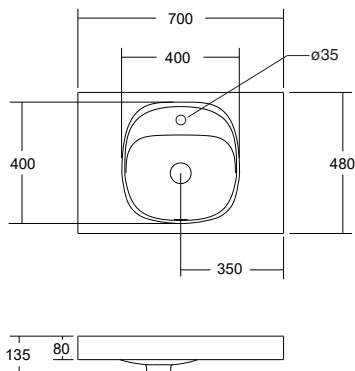
Published 12/09/2022



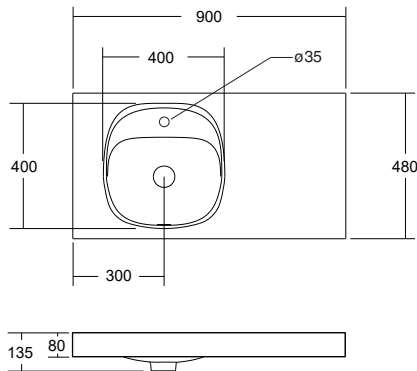
## Lussi Basin - Rear Shelf

Please note: drawings of basins with single left hand bowls are also available with right hand bowls. Reverse details for right hand bowls.

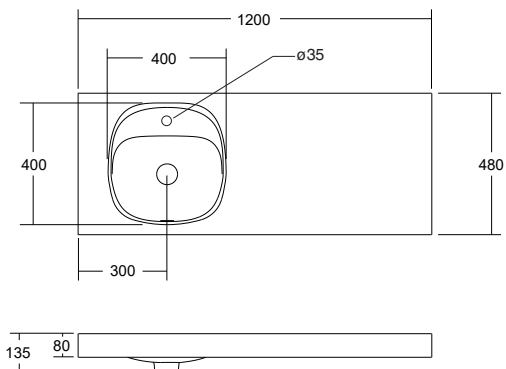
**Lussi 700 Basin**



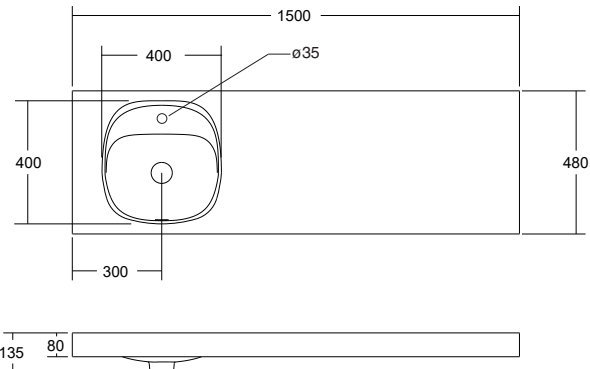
**Lussi 900 Basin**



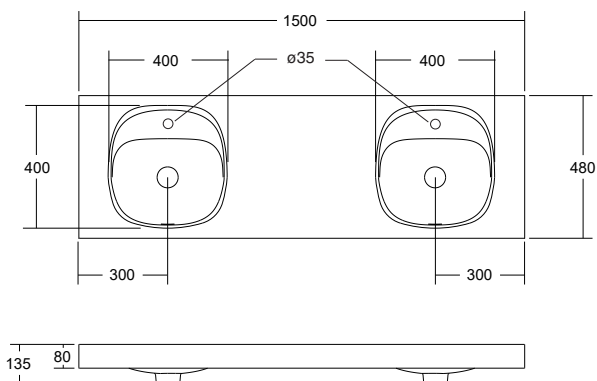
**Lussi 1200 Basin**



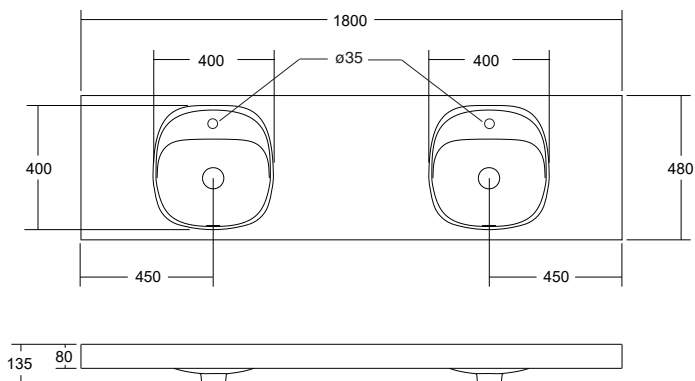
**Lussi 1500 SGL Basin**



**Lussi 1500 DBL Basin**



**Lussi 1800 DBL Basin**



Dimensions are nominal measurements only.

Disclaimer: Products in this specification manual must by regulation be installed by licensed and registered trade people. The manufacturer/distributor reserves the right to vary specifications or delete models from their range without prior notification. Dimensions are nominal measurements only. Dimensions and set-outs listed are correct at time of publication however the manufacturer/distributor takes no responsibility for printing errors.