



**ARTCO**

**100%** made in **spain**  
original

# Specialists in design and production of water, gas and heating installation systems around the world.



Unsurpassed quality



International presence



41 patents in 5  
decades of innovation



End-to-end  
production control

More than **40 core innovations** in garden, water and gas market segments.



# Arco, a **world-renowned specialist** in designing and manufacturing control and regulation systems for plumbing, gas and heating installations.

While preserving the values of the family business, the company is internationally renowned for its innovation capacity, the high quality of its products and the reliability of all its processes.

In 2022, a new strategic plan is launched in order to consolidate Arco's growth over the next 4 years based on 3 solid pillars: customers, staff and products.

## OUR VALUES:

- Responsibility
- Trust
- Commitment to one's word
- Pursuit of mutual benefit
- Proximity
- Respect for people and environment







ARCO has actively contributed to the progress of the plumbing industry around the world, thanks to its spirit of constant innovation and its desire to efficiently and simply solve the needs and demands of installers and users alike.



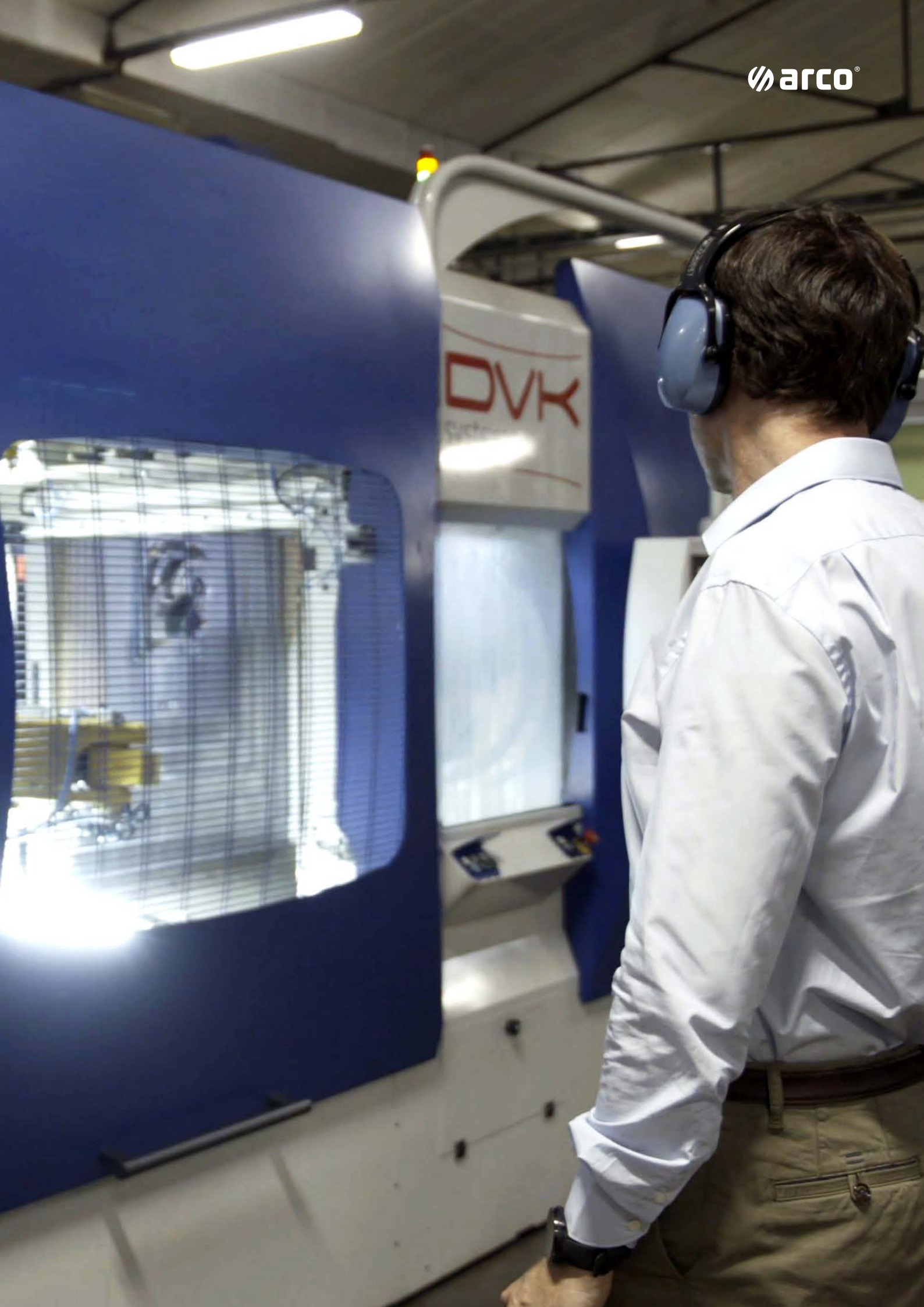


## Our **quality standard** gains the trust of professionals: 8 out of 10 installers choose us.

We apply the total quality concept when designing and manufacturing our products, in order to guarantee a level of performance that exceeds the regulatory requirements in force in the most demanding markets.

All our products are manufactured with the best certified raw materials and undergo continuous leak testing to guarantee zero leakage under normal conditions of use.





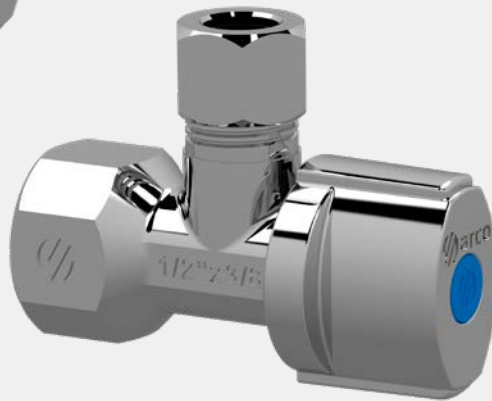
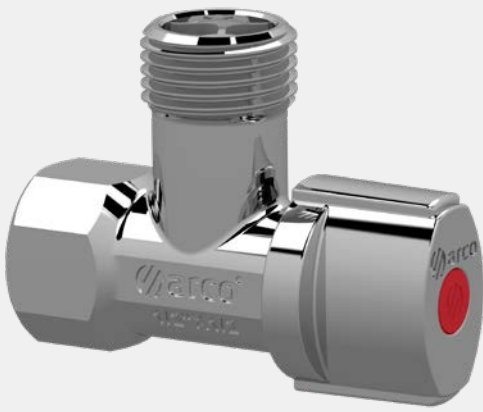
## Products designed to improve efficiency and life quality for people and our planet.

We are committed to sustainability and the circular economy, which is why we design and manufacture products whose main objective is to improve the efficiency and overall performance of installations while safeguarding people's health. To this end, we develop specific initiatives aligned with the SDGs (Sustainable Development Goals) such as:

- **Developing nickel-free and low-lead** products to improve water safety.
- **Minimising the impact of our activity** by reducing water consumption in manufacturing processes.
- **Using recycled and recyclable materials** in the packaging of our products.
- **Extending the life cycle of our products**, with greater durability and resistance over time as for example the patented VITAQ range.

### ALIGNMENT WITH OBJECTIVES:



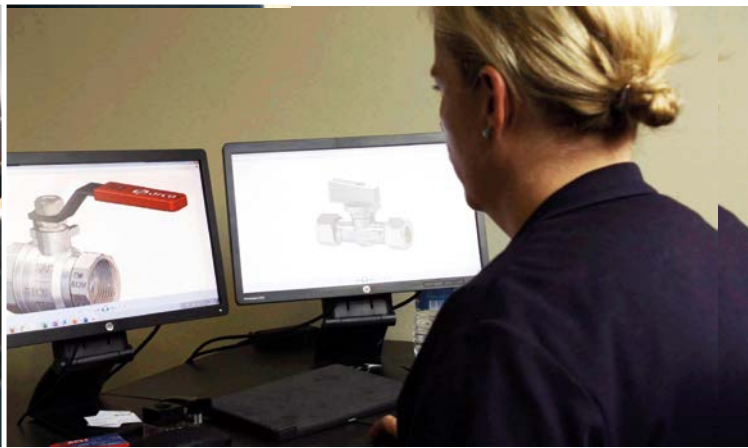




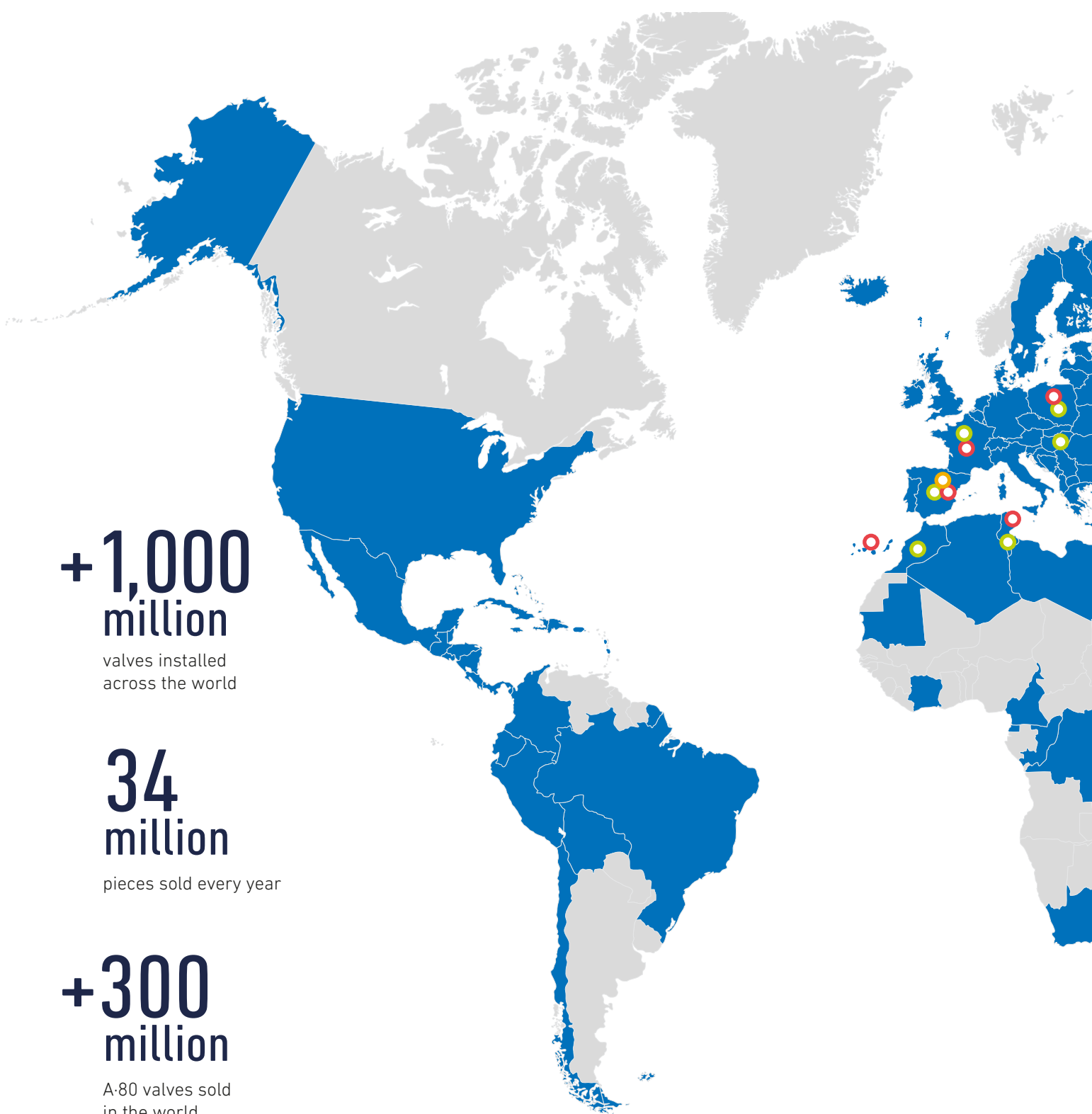
**The real engine: a team of more than 500 professionals that are highly-qualified and committed.**

ARCO is a professional family business with professional specialists in each of its disciplines, from design to after-sales and customer service.

We are certified as a Family Responsible Company (FRC), which recognises our commitment to work-life balance and equal opportunities as key elements of our corporate culture.



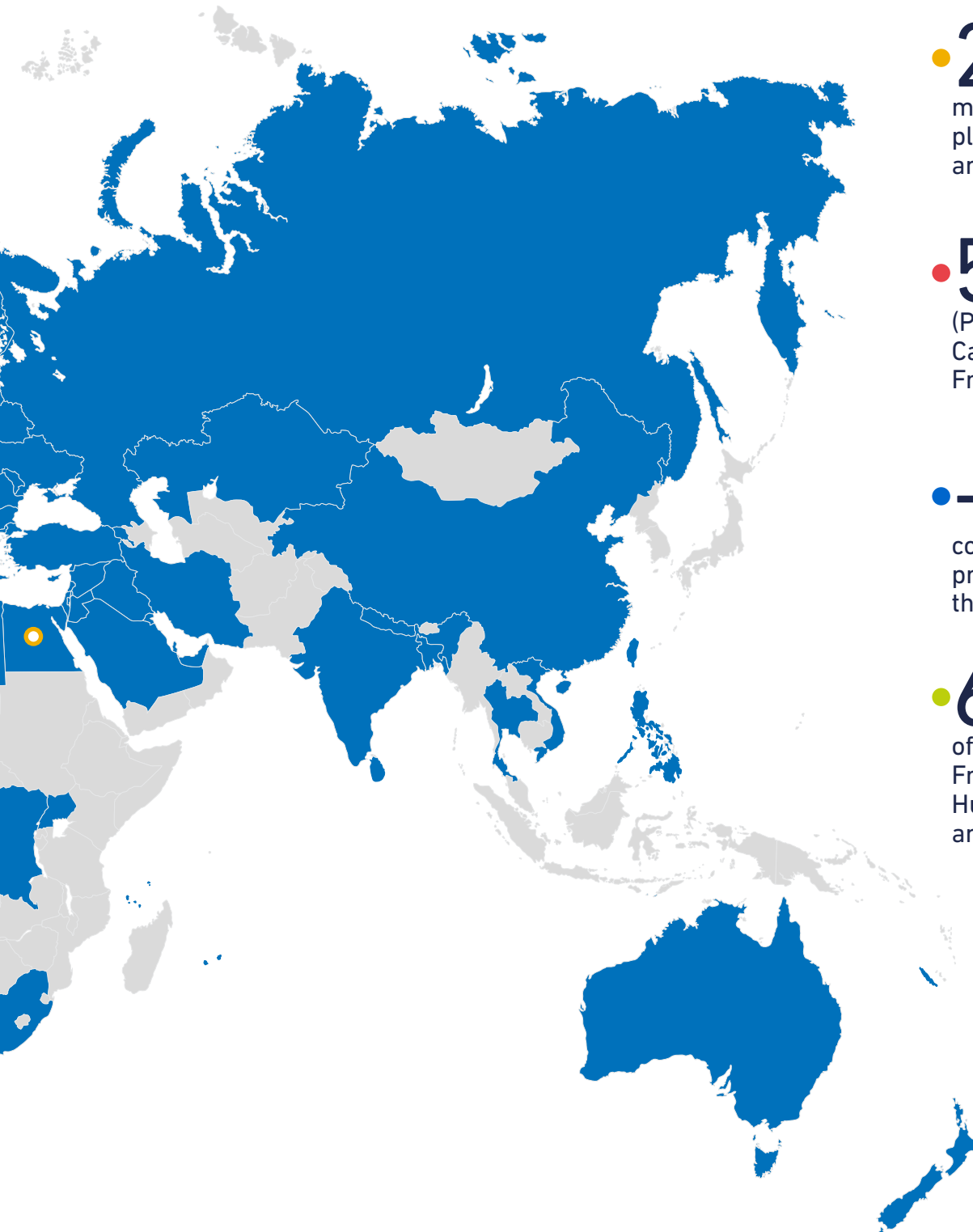
# Arco is present in +90 countries



**+1,000  
million**  
valves installed  
across the world

**34  
million**  
pieces sold every year

**+300  
million**  
A-80 valves sold  
in the world



● **2** Arco owned manufacturing plants (in Spain and Tunisia)

● **5** logistics centres (Peninsula (Valencia), Canary Islands, Poland, France and Tunisia)

● **+90** commercial presence in more than 90 countries

● **6** commercial offices (in Spain, France, Poland, Hungary, Morocco and Tunisia)

## **We boost the talent of our youngsters.**

ARCO sponsors the Polytechnic University of Valencia competition team, comprising young people from the ARCO- MotoR University Team, engineering students from different degrees, who compete in the WorldSBK World Championship in the ssp300 category and in the Spanish Championship in ESBK Junior and in the university MotoStudent championship alike.

### **2021 MILESTONES**

**- 2 riders at the top:**

**Spanish ESBK Junior Yamaha Challenge bLlu cRu champions and runners-up.**

**- Álvaro Díaz and his engineers:**

**P7 in the French race and P7 in the Spanish race. WorldSBK World Championship, Yamaha Team.**

**General position: 20th out of 55 riders.**







# VITAQ SYSTEM

A system created to solve problems of limescale in installations.

Válvulas ARCO, S.L. has developed and launches an anti-limescale system for angle and ball valves.

The **VITAQ system offers more guarantees to your installation**, protecting your valve from limescale build-up and **extending its service life**.

## WHY VITAQ SYSTEM?

- 1. VITA means LIFE** in Latin.
- 2.** This highlights its main quality: **TO PROVIDE LIFE.**
- 3.** The letter "**Q**" **stands worldwide for QUALITY**, our key corporate value.
- 4. It is a SYSTEM in itself** due to its engineering and functional contribution.
- 5. Longer product lifespan.**

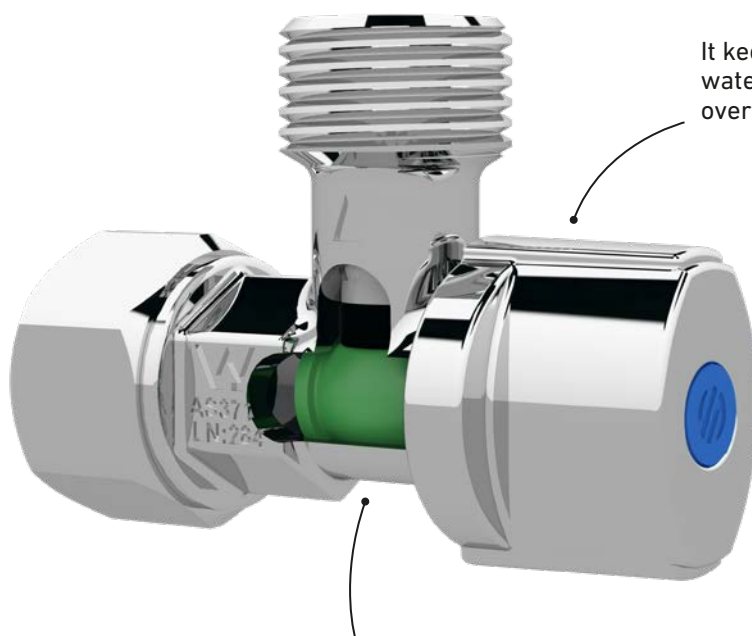


# VITAQ System

ARCO develops and brings to market an anti-calcium system for angle and ball valves. The **VITAQ System** has great advantages over normal fittings for any installation, **protecting valves from limescale, thus extending their useful life.**

The patented **VITAQ®** System, **the one-piece stem-ball is made from a special polymer.** Even with the added benefits, The VITAQ system still maintains the same strength properties as the brass design. This design increases resistance, facilitates smooth operation and most importantly, prevents limescale from forming.

- Suitable for drinking water.
- Ecological, high-tech materials for longer life.
- Keeps water flow constant over time.
- 100% recyclable and non-toxic.



It keeps a constant water flow rate over time.

The anti-limescale VITAQ system operates under the same pressure and temperature conditions as a brass stem.



More life, no lime



## Hard water in Australia

Types of water	mg/l	° TH
Soft	< 17	< 1,7
Slightly hard	< 60	< 6,0
Moderately hard	< 120	< 12,0
Hard	< 180	< 18,0
Very hard	< 250	< 25,0
Extremely hard	> 250	> 25,0

### European standards for drinking water: Max. 50°TF.

Limescale builds up in pipes, taps, fittings, and sanitary ware, and it can eventually block them completely. It causes damage to electrical appliances, heating elements and obstructs water pumps. Sometimes the whole installation needs to be removed.



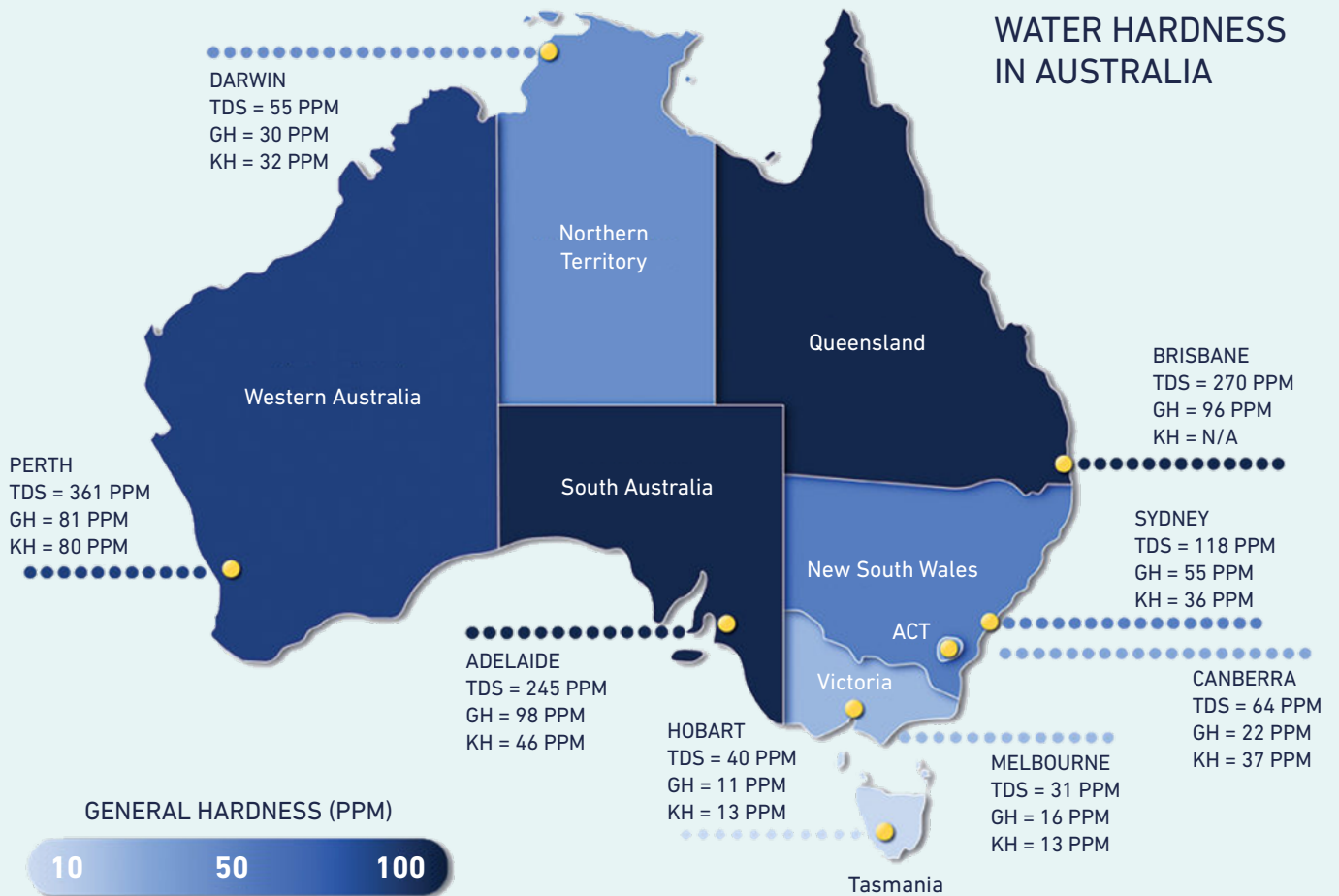
### SIGNS THAT WATER CONTAINS CALCIUM:

- Decreased water flow through faucets.
- Filters filled with small stones.
- Lower power of water heaters.
- Lime on heating elements affects energy consumption up to 64% more.
- Dishwashers affected by limescale require more detergent.

# Hard water in Australia

Calcium in water is directly linked to the geological properties of the soil. Water filtered through limestone holds more calcium than water passing through rocky soil.

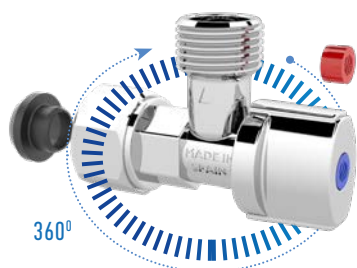
Water hardness is measured by the amount of calcium and magnesium ions it contains.





### Arco Giro Mini Stop

Ensures an installation with the valve outlet in the desired position.



**NEW**

CODE	SIZE
112017 →	ARCO GIRO QUICK TURN MINI STOP 15X15



Temperature range: 0 — 95°  
Body material: DR Brass.

### Arco Lipstick Black Mini Stop



CODE	SIZE
1120019 →	ARCO LIPSTICK MINI STOP BLACK



Temperature range: 0 — 95°  
Body material: DR Brass.

### Arco Lipstick Chrome Mini Stop



CODE	SIZE
1120018 →	ARCO LIPSTICK MINI STOP CHROME



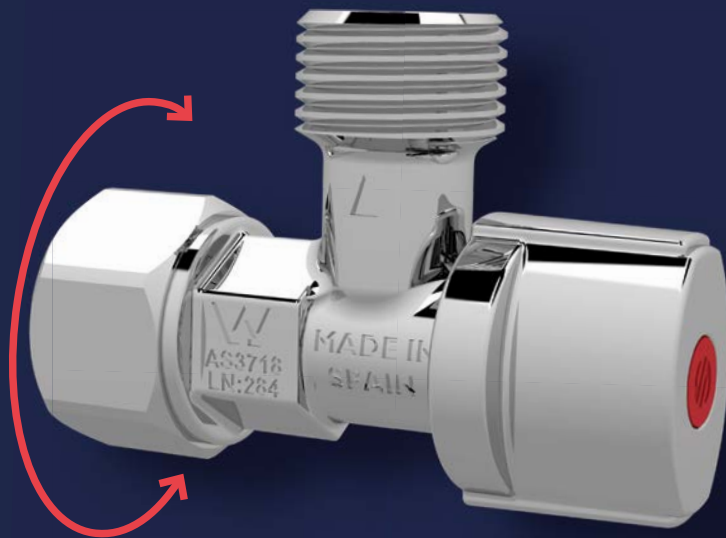
Temperature range: 0 — 95°  
Body material: DR Brass.



# GIR

MINI STOP

# SAVES TIME IN TIGHT SPACES



LOOSE NUT AND COMPACT  
DESIGN FOR QUICK INSTALL



**Arco Right Angle Ball Valve Mini Stop with Non Return Check Chrome**



CODE	SIZE
103511 →	ARCO RA BV MINI STOP CW NRC CP 15MM



WaterMark  
Certificate No:  
WMKA00284

Temperature range: 0 — 95°  
Body material: DR Brass.

**Arco Right Angle Ball Valve Mini Stop with Non Return Check Chrome**



CODE	SIZE
103513 →	ARCO RA BV MINI STOP LEVER CP 15MM



WaterMark  
Certificate No:  
WMKA00284

Temperature range: 0 — 95°  
Body material: DR Brass.

**Arco Right Angle Ball Valve Mini Stop Cross Chrome Plated**



CODE	SIZE
103512 →	ARCO RA BV MINI STOP CROSS CP 15MM



WaterMark  
Certificate No:  
WMKA00284

Temperature range: 0 — 95°  
Body material: DR Brass.



### Arco Giro Washing Machine Stop



CODE	SIZE
112016 →	ARCO GIRO WASHING MACHINE STOP 15X20






WaterMark  
Certificate No:  
WMKA00284

Temperature range: 0 — 95°  
Body material: DR Brass.

### Arco Right Angle Washing Machine Stop



CODE	SIZE
100812 →	ARCO RA W/M STOP & NRV 20 X 15 C/P




WaterMark  
Certificate No:  
WMKA00284

Temperature range: 0 — 95°  
Body material: DR Brass.

### Arco Conekta Mini Stop



CODE	SIZE
1120105	ARCO CONEKTA MINI STOP 15X15X15MM
1120089	ARCO CONEKTA MINI STOP 15X15X20MM




WaterMark  
Certificate No:  
WMKA00284

Temperature range: 0 — 95°  
Body material: DR Brass.



**Angle check valve dual DR brass with double nut PN16 Thread Metallic nova handle - Washing machine Combi**



Temperature range: 0 — 95°  
Body material: DR Brass.

CODE	SIZE
100833 →	ARCO COMBI VALVE



Certificate No:  
WMKA00284

**Angle check valve DR brass Extra polished chrome PN16 F-M Thread ABS tech handle - Washing machine**



Temperature range: 0 — 95°  
Body material: DR Brass.

CODE	SIZE	
100831 →	ARCO RA W/M STOPS LEVER HANDLE COLD CP	Blue indicator
100832 →	ARCO RA W/M STOPS LEVER HANDLE HOT CP	Red indicator



Certificate No:  
WMKA00284

WATER - BALL VALES

**Arco Ball Valve**

Forget about corrosion, for example, from the beach.



Temperature range: -20 — 140°  
Body material: DR Brass.

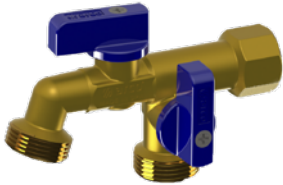
CODE	SIZE
1003690	ARCO BALL VALVE F&F (WATER) 15MM
1003691	ARCO BALL VALVE F&F (WATER) 20MM
1003692	ARCO BALL VALVE F&F (WATER) 25MM
1003693	ARCO BALL VALVE F&F (WATER) 32MM
1003694	ARCO BALL VALVE F&F (WATER) 40MM
1003695	ARCO BALL VALVE F&F (WATER) 50MM



Certificate No:  
WMKA00276



### Arco Double Grifo Tap W/NRC Female

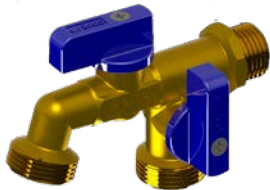


CODE	SIZE
2131532 →	ARCO DOUBLE GRIFO TAP W/NRC FEMALE 15MM

			Certificate No: WMKA00284

Temperature range: 0 — 90°  
Body material: DR Brass.

### Arco Double Grifo Tap W/NRC Male



CODE	SIZE
2131531 →	ARCO DOUBLE GRIFO TAP W/NRC MALE 15MM
2131533 →	ARCO DOUBLE GRIFO TAP W/NRC MALE 20MM

			Certificate No: WMKA00284

Temperature range: 0 — 90°  
Body material: DR Brass.

### Arco Double Grifo Tap W/NRC Female



CODE	SIZE
2131538 →	ARCO DOUBLE GRIFO W/NRC C/P FEMALE 15MM

		Certificate No: WMKA00284

Temperature range: 0 — 90°  
Body material: DR Brass.



### Arco Double Grifo W/NRC Chrome Plated Male



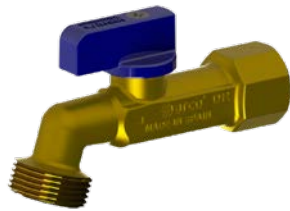
CODE	SIZE
2131537 →	ARCO DOUBLE GRIFO W/NRC C/P MALE 15MM
2131539 →	ARCO DOUBLE GRIFO W/NRC C/P MALE 20MM



Certificate No:  
WMKA00284

Temperature range: 0 — 90°  
Body material: DR Brass.

### Arco Grifo Tap W/NRC Female



CODE	SIZE
2131529 →	ARCO GRIFO GARDEN TAP W/NRC FEMALE 15MM



Certificate No:  
WMKA00284

Temperature range: 0 — 90°  
Body material: DR Brass.

### Arco Grifo Tap W/NRC Male



CODE	SIZE
2131528 →	ARCO GRIFO GARDEN TAP W/NRC MALE 15MM
2131530 →	ARCO GRIFO GARDEN TAP W/NRC MALE 20MM



Certificate No:  
WMKA00284

Temperature range: 0 — 90°  
Body material: DR Brass.

### Arco Grifo W/NRC Chrome Plated Female



CODE	SIZE
2131535 →	ARCO GRIFO TAP W/NRC C/P FEMALE 15MM



Certificate No:  
WMKA00284

Temperature range: 0 — 90°  
Body material: DR Brass.

### Arco Grifo W/NRC Chrome Plated Male



CODE	SIZE
2131534 →	ARCO GRIFO TAP W/NRC C/P MALE 15MM
2131536 →	ARCO GRIFO TAP W/NRC C/P MALE 20MM



Certificate No:  
WMKA00284

Temperature range: 0 — 90°  
Body material: DR Brass.



**Arco Gas Cock**



CODE	SIZE	NUT
107532	ARCO GAS COCK (CXC) 15MM	1/2
107533	ARCO GAS COCK (CXC) 20MM	3/4



Certificate No:  
5592

Temperature range: -20 — 60°  
Body material: Brass.

**Arco Gas Ball Valve Male**



CODE	SIZE
1003531	ARCO BALL VALVE M&F (GAS) 15MM
1003532	ARCO BALL VALVE M&F (GAS) 20MM



Certificate No:  
5587

Temperature range: -20 — 60°  
Body material: Brass.

**Arco Gas Ball Valve Female**



CODE	SIZE
1003479	ARCO BALL VALVE F&F (GAS) 10MM
1003480	ARCO BALL VALVE F&F (GAS) 15MM
1003485	ARCO BALL VALVE F&F (GAS) 20MM
1003490	ARCO BALL VALVE F&F (GAS) 25MM
1003495	ARCO BALL VALVE F&F (GAS) 32MM
1003500	ARCO BALL VALVE F&F (GAS) 40MM
1003505	ARCO BALL VALVE F&F (GAS) 50MM
1003510	ARCO BALL VALVE F&F (GAS) 65MM

Temperature range: -20 — 60°  
 Body material: Brass.

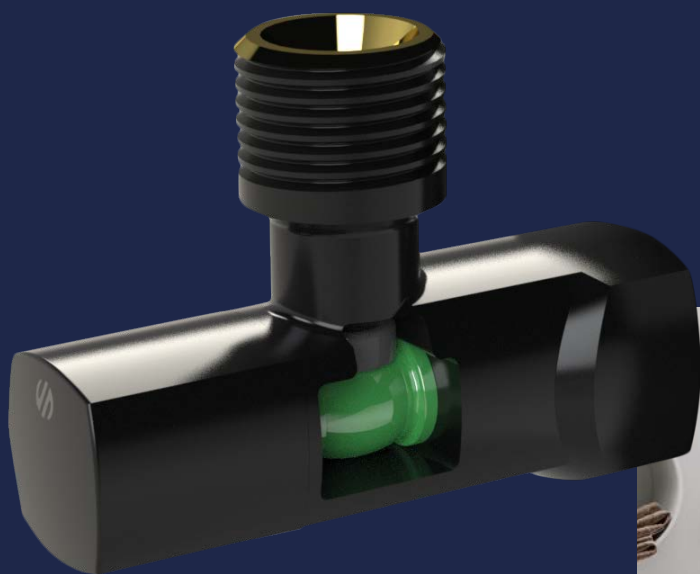


Certificate No:  
 5587

# ARCO LIPSTICK

UNIQUE DESIGN. MAXIMUM PERFORMANCE.

ARCO LIPSTICK is the only anti-scale valve on the market that combines elegant design and maximum performance to suit the style of every bathroom.



- Easy installation.
- ¼ turn system.
- Maximum watertightness, 100% tested.
- Low pressure loss thanks to its VITAQ anti-scale system.

NEW FINISHES!



BLACK



CHROME



made in  
**spain**  
original