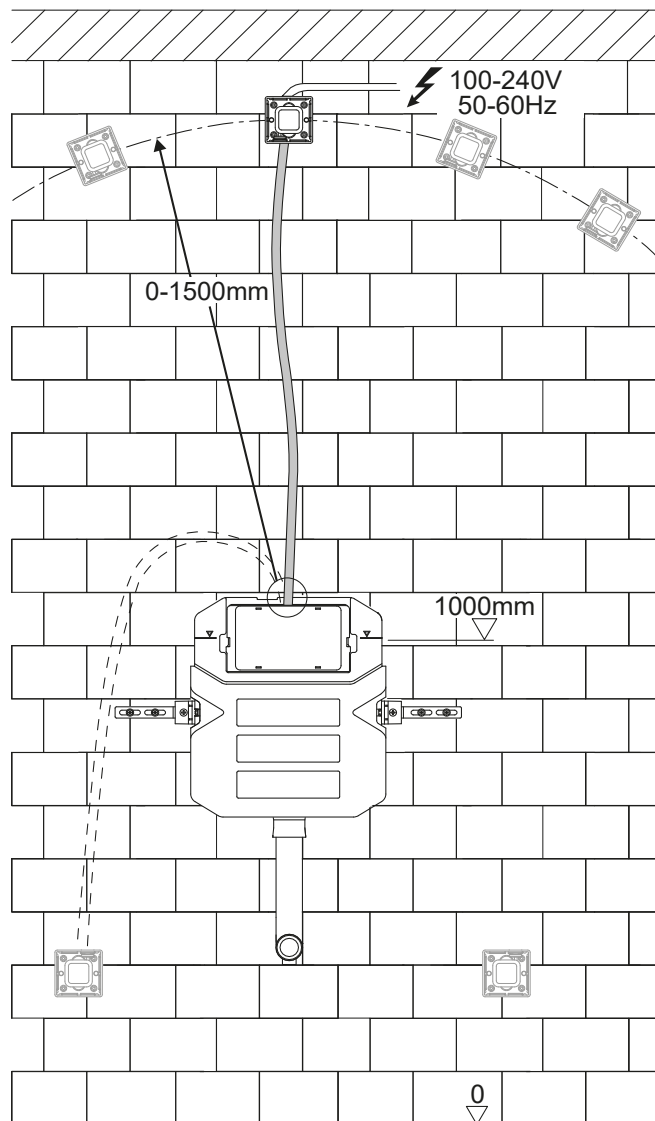
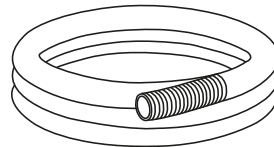
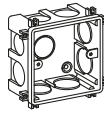


hideaway+

Hideaway+ Sensor Button / Plate Inwall Black

Installation

**Note:**

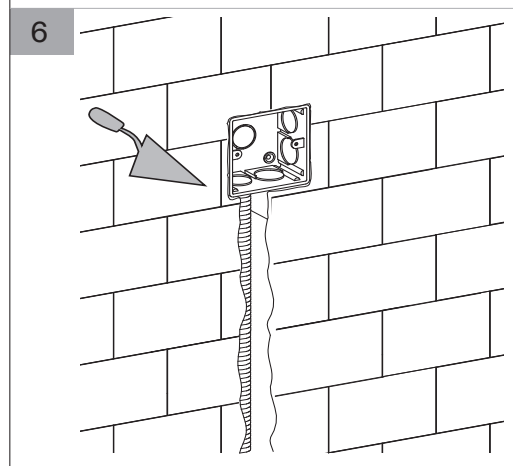
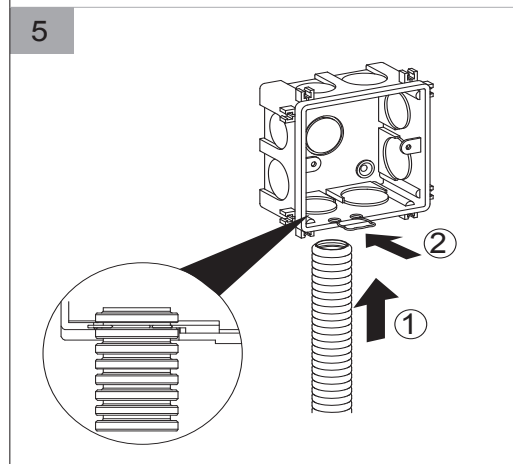
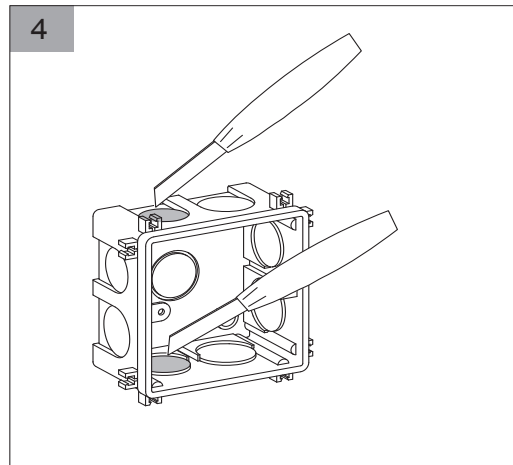
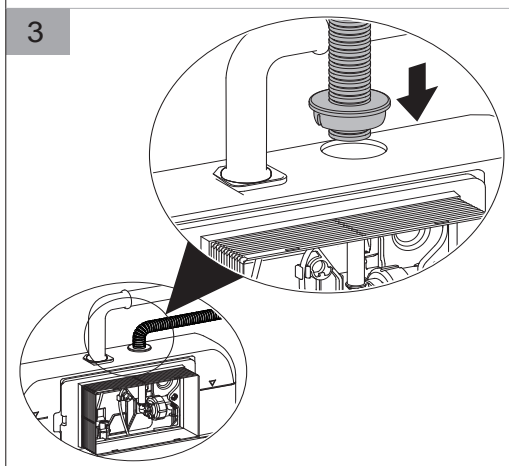
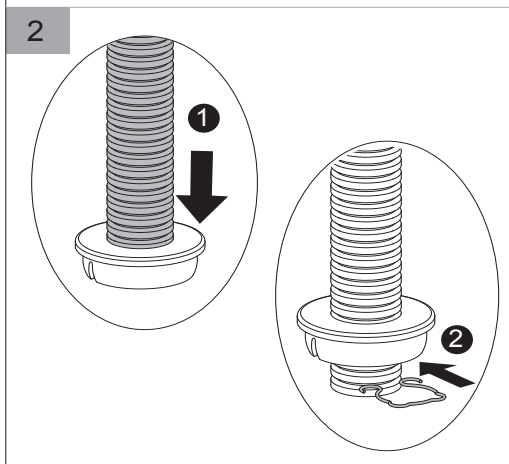
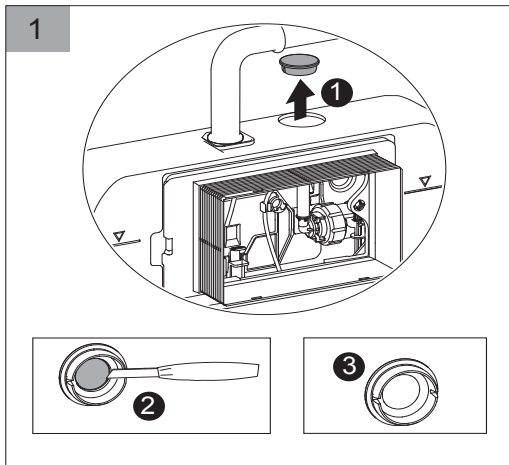
Any electrical work connected on this project must be installed by qualified personnel, in accordance with AS/NZS 3000 Wiring Rules.

Please ensure a copy of the installation instructions is left with the end user for future reference

hideaway+

Hideaway+ Sensor Button / Plate Inwall Black

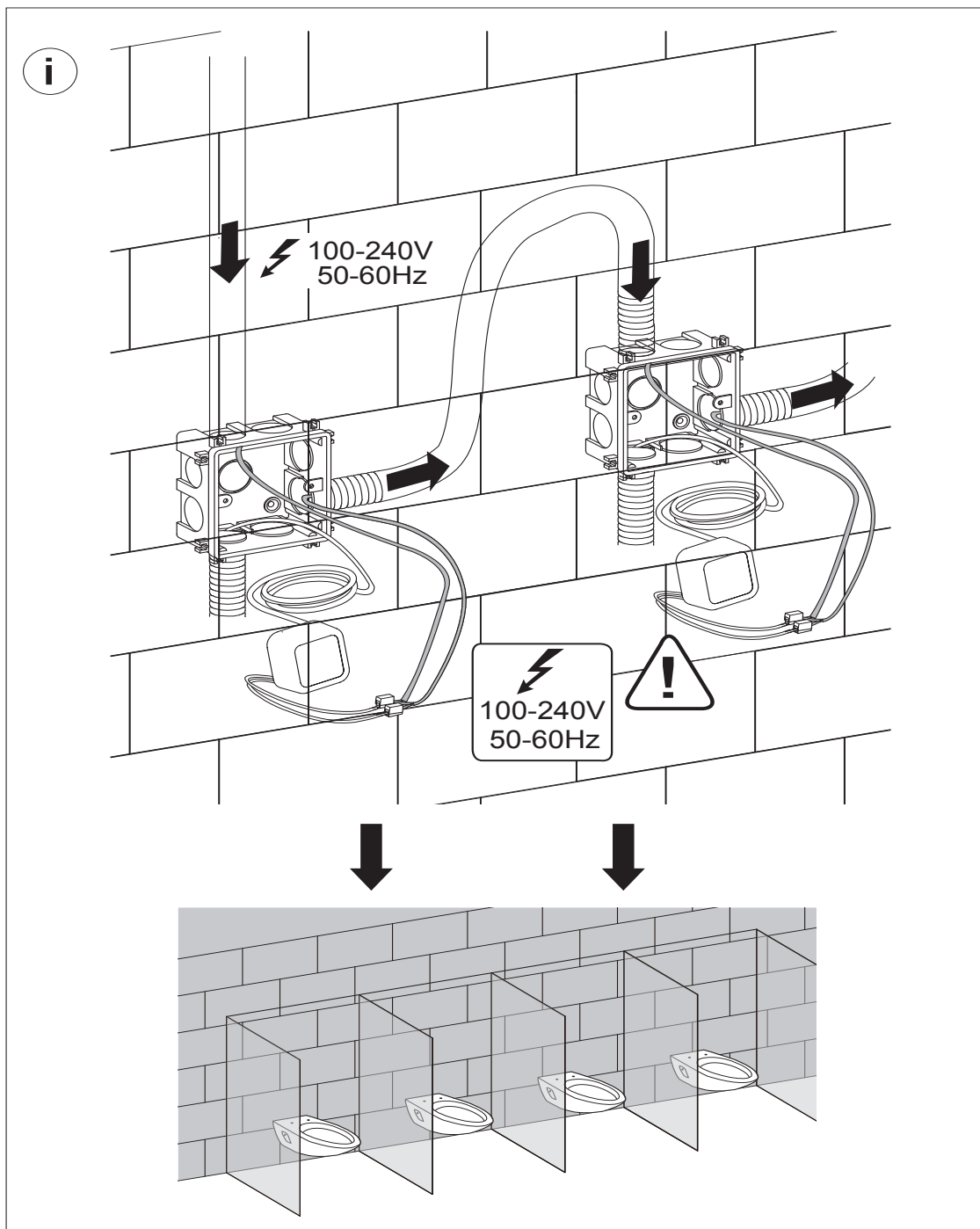
Installation



hideaway+

Hideaway+ Sensor Button / Plate Inwall Black

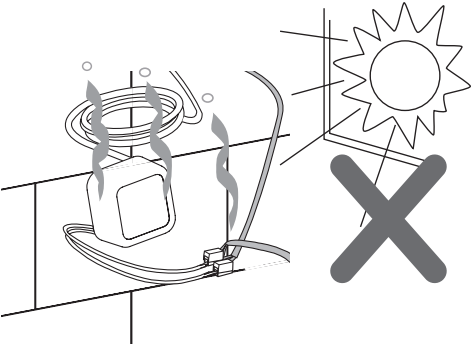
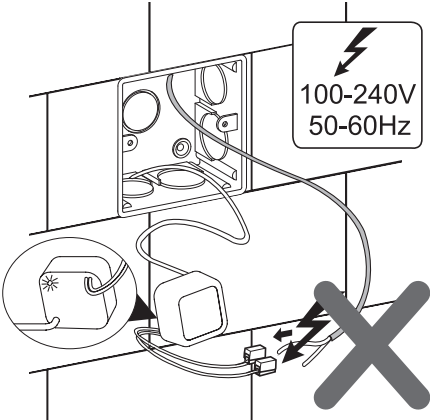
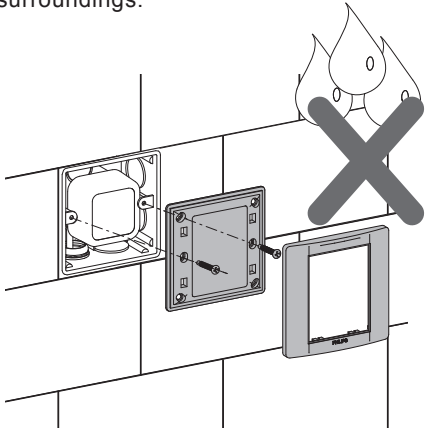
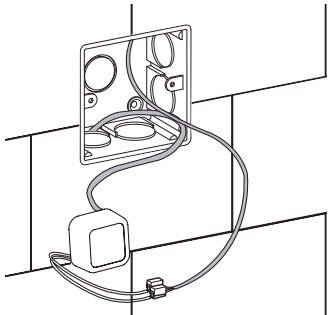
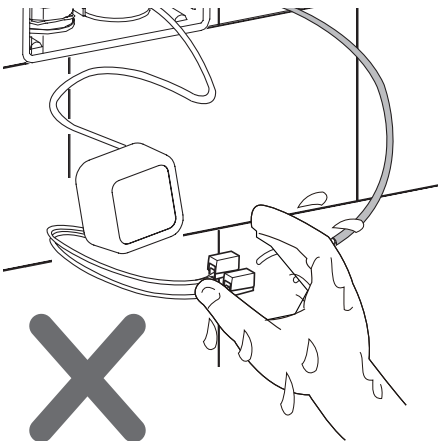
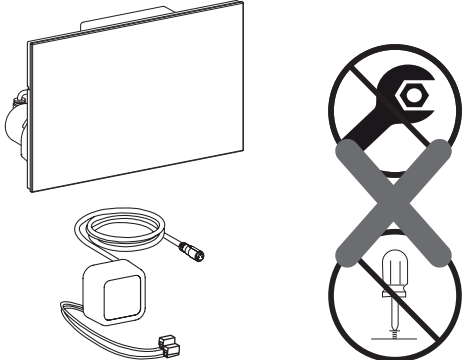
Installation



hideaway+

Hideaway+ Sensor Button / Plate Inwall Black

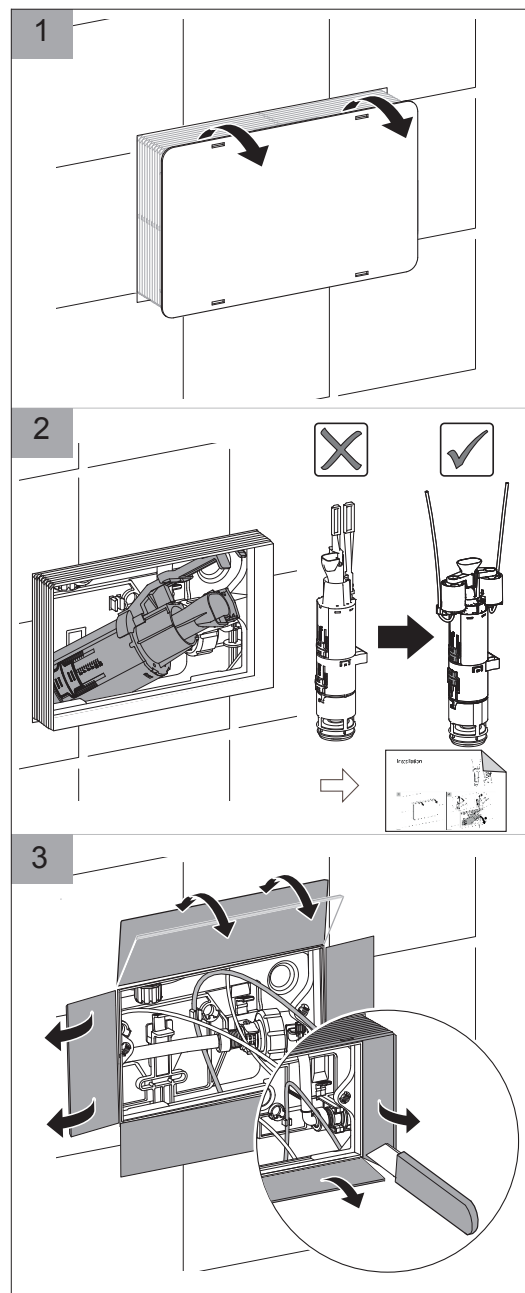
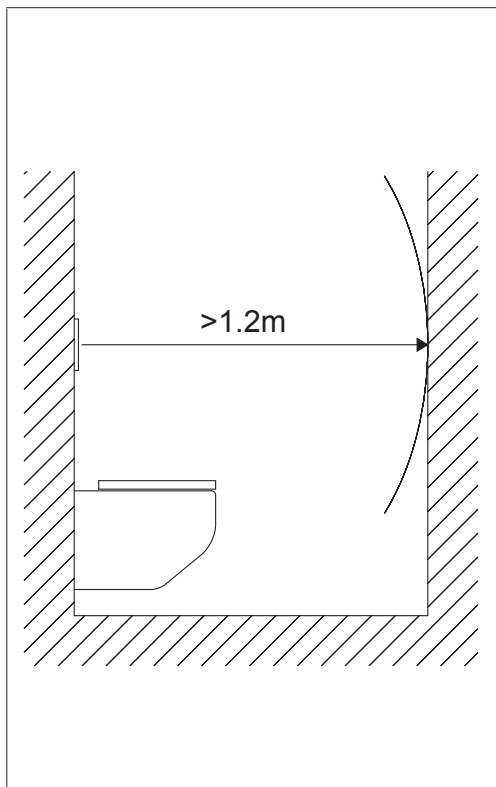
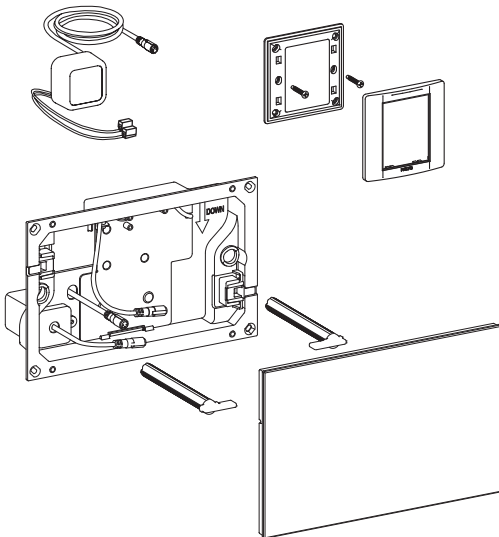
Safety instruction

<p>The adaptor can't be installed exposed, especially under the sunlight.</p> 	<p>Any operation is disallowed when adaptor is connected to power supply.</p> 
<p>The adaptor can't be installed in wet surroundings.</p> 	<p>The size of cable should be 1.0-2.5mm² and the wire connector should be connected firmly.</p> <p>CAUTION: Be sure not to place adaptor in an inflammable box (for example a wooden box).</p> 
<p>Operation with wet hands is forbidden.</p> 	<p>Disassembly of the product is forbidden.</p> 

hideaway+

Hideaway+ Sensor Button / Plate Inwall Black

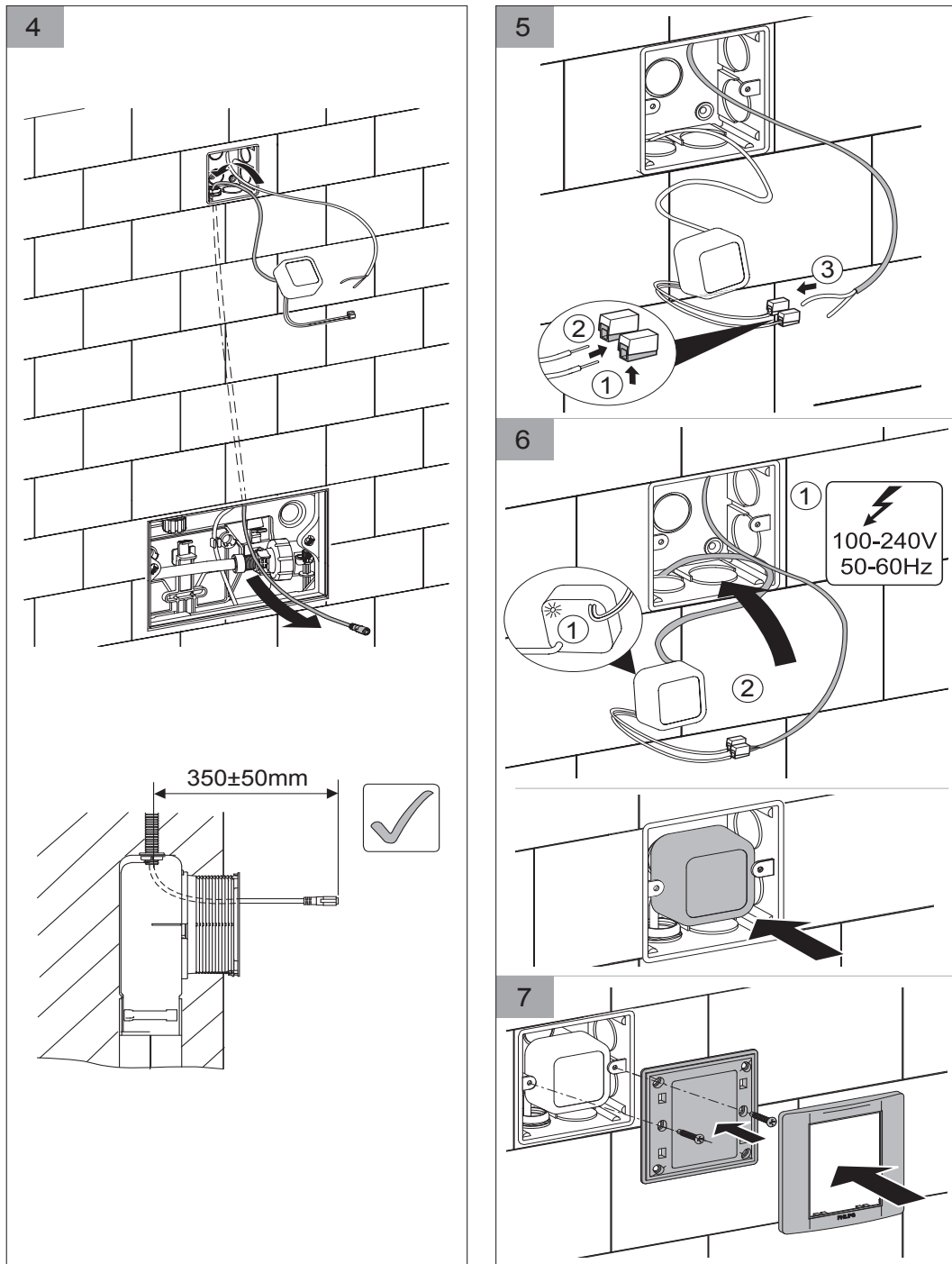
Installation



hideaway+

Hideaway+ Sensor Button / Plate Inwall Black

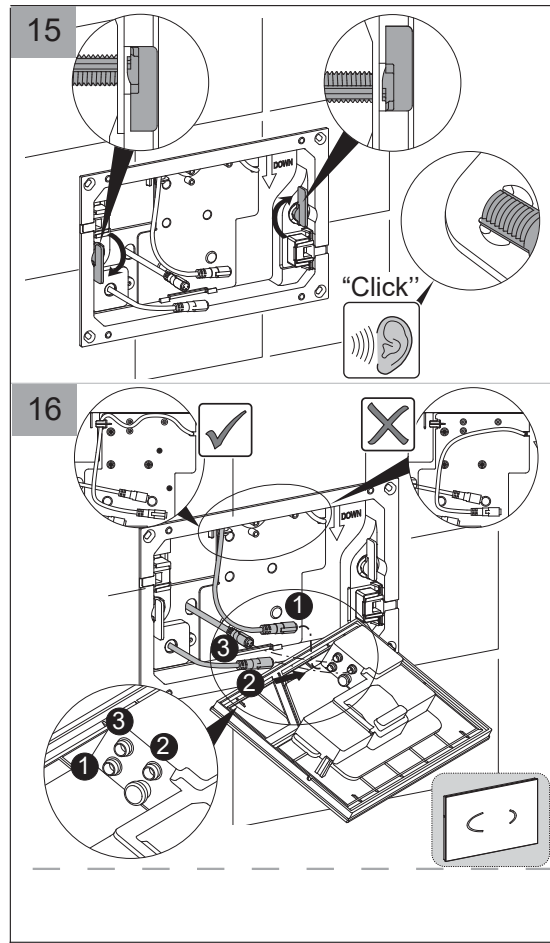
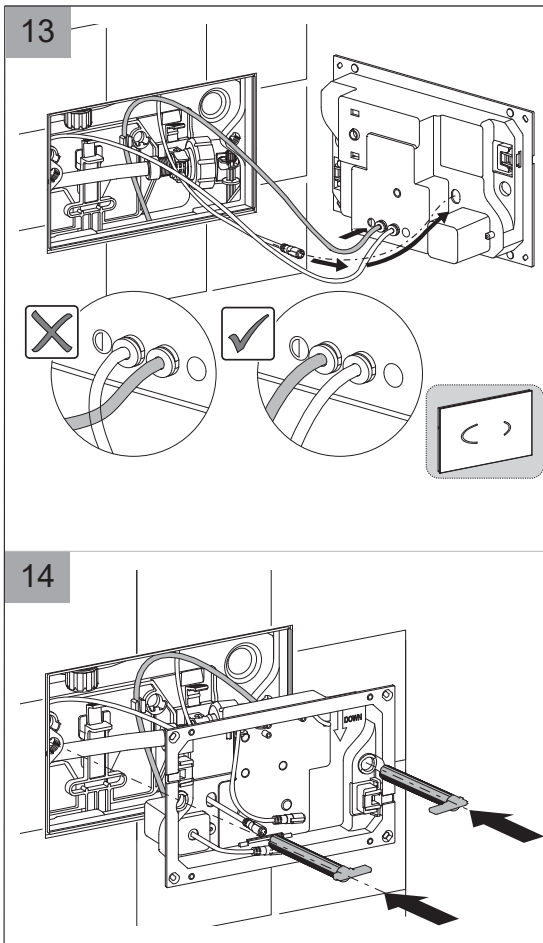
Installation



hideaway+

Hideaway+ Sensor Button / Plate Inwall Black

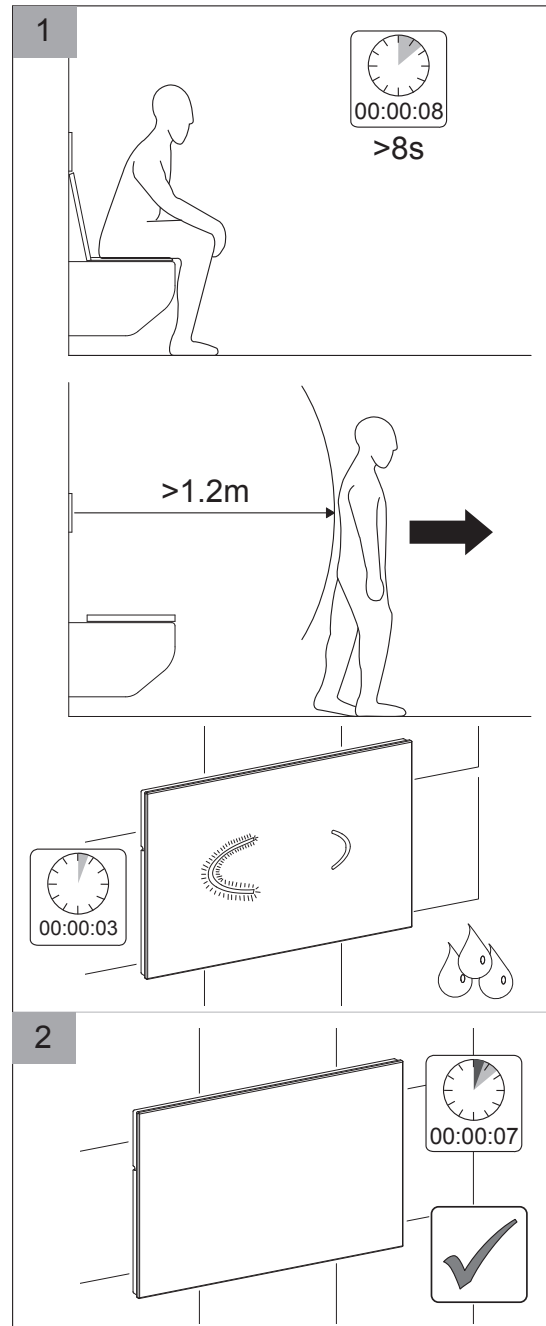
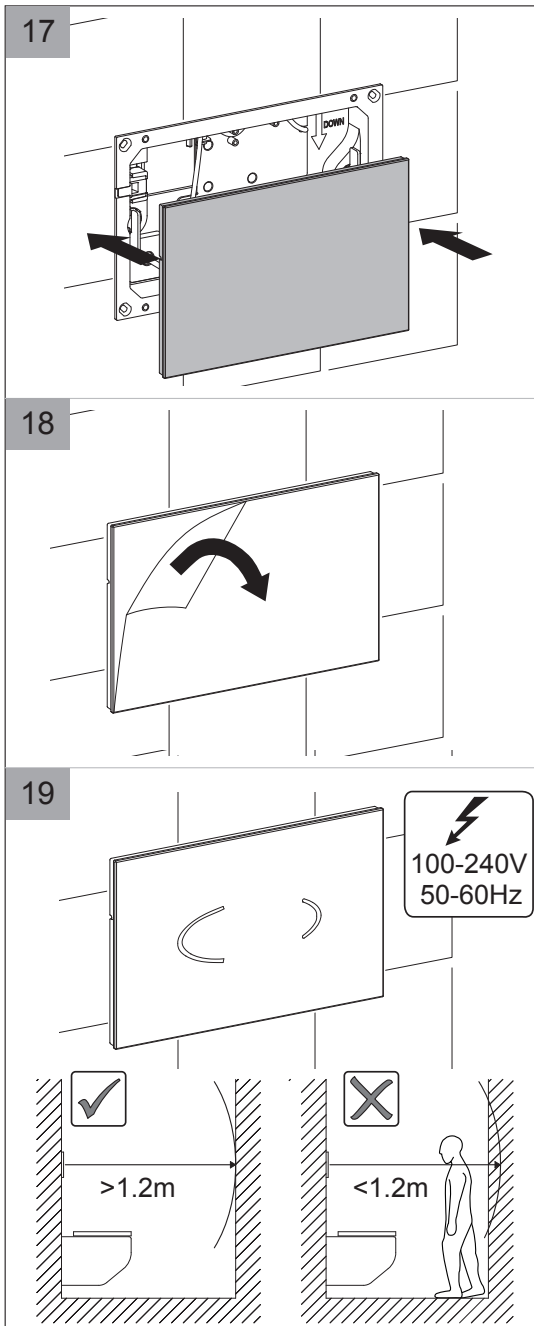
Installation



hideaway+

Hideaway+ Sensor Button / Plate Inwall Black

Installation



hideaway+

Hideaway+ Sensor Button / Plate Inwall Black

Installation

