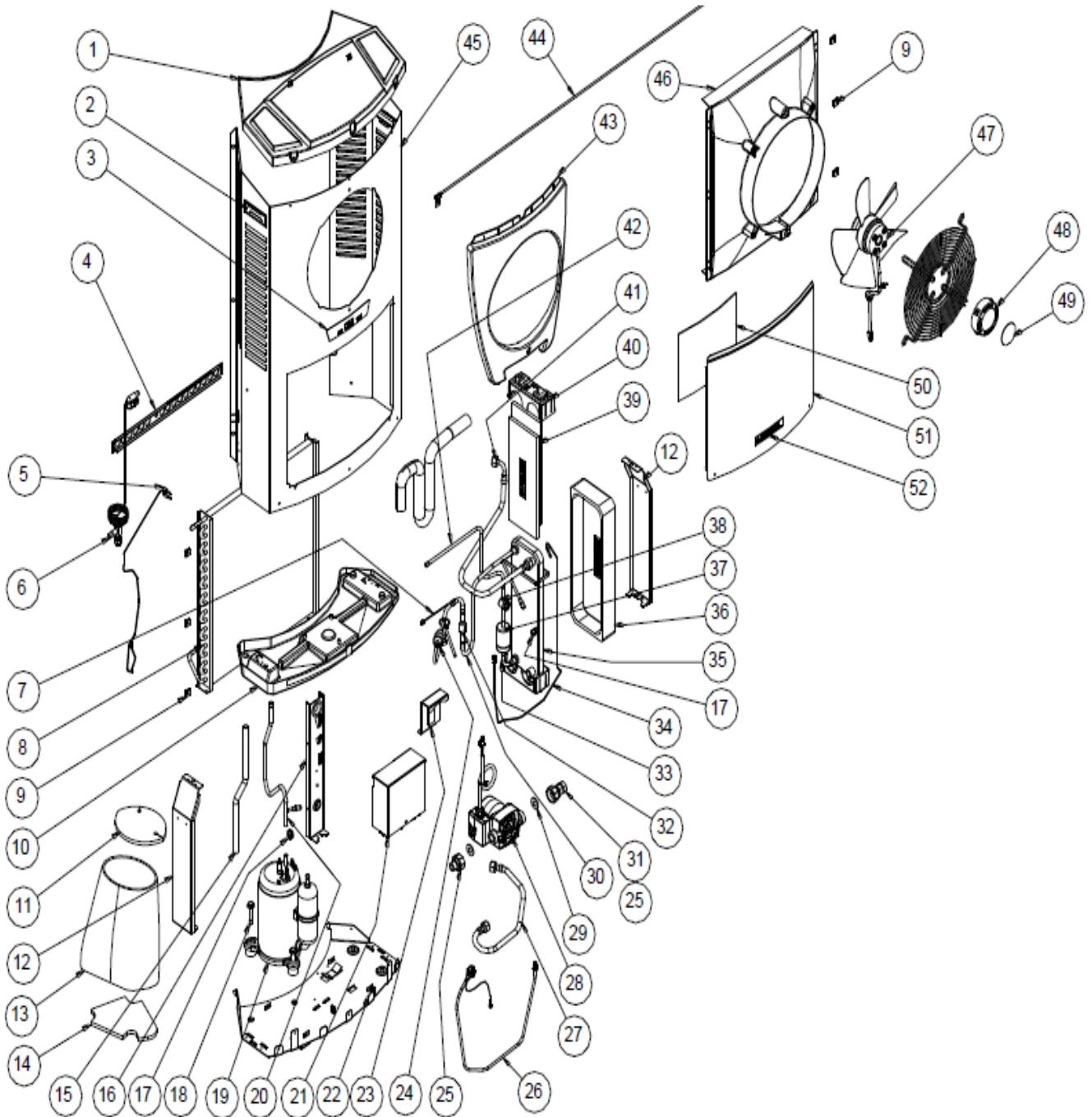


Rheem Spare Parts

Heat Pump A55132507 - 325i Series II Heat Pump Module



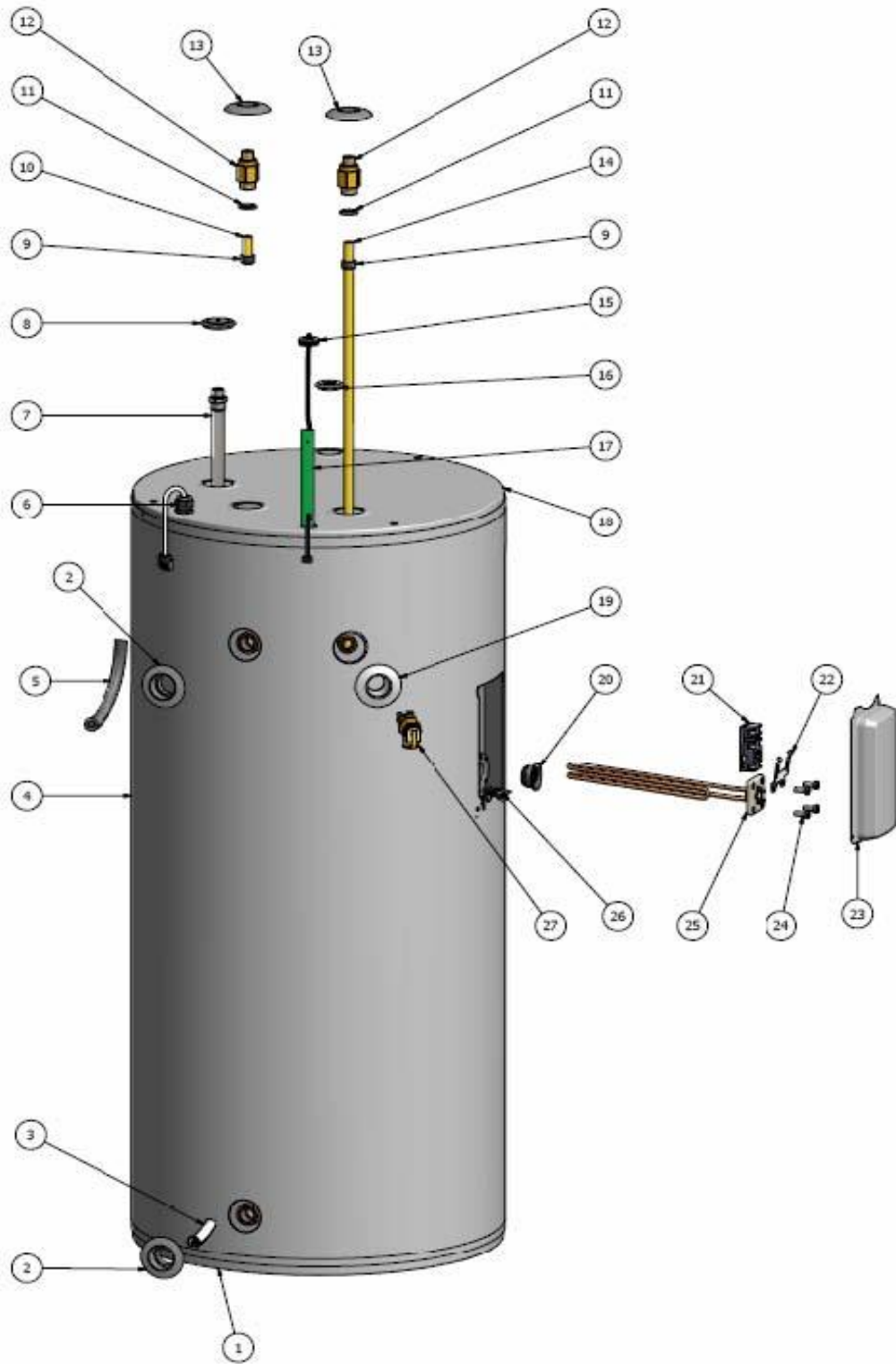
Rheem Spare Parts

Heat Pump A55132507 - 325i Series II Heat Pump Module

Item	Part Number	Description	Item	Part Number	Description
1	104796	Jacket Top	29	087075	Washer - Circulator
2	080193	Handgrip	30	181018	Pipe Assembly – Discharge Line
3	126108	Operating Status LED Decal	31	088237	Union – Circulator to Heat Exchanger
4	144842	Suction Line Pipe Brace	32	088247	Discharge - Non return Valve
5	056053	Sensor Evaporator	33	181023	Pipe Liquid Line
	056022	Sensor Clip - Evaporator	34	056054	Sensor Heat Exchanger Water Outlet
6	180079	TX Valve TDN1		080305	Heat Exchanger Water outlet Sensor Nut
7	056046	Sensor – Compressor	35	180087	Heat Exchanger (Condenser)
8	180034	Evaporator Coil	36	090249	Insulation Back - Heat Exchanger
9	088090	Trim Clip – Fan shroud	37	088252	Filter Drier
10	104795	Drip Tray	38	088253	Sight Glass
11	090260	Compressor Insulation - Top	39	090250	Insulation Front - Heat Exchanger
12	140123	Chassis – Side	40	180078	Bracket - Heat Exchanger (Condenser)
13	090257	Compressor Insulation - Jacket	41	088267	Braided Hose – Hot Water
14	090258	Compressor Insulation - Bottom	42	181022	Pipe – Liquid Line (TX Valve End)
15	220522	Drain Tube	43	104767	Dress Cover
16	140134	Chassis – Controller Support	44	052243	Operating Status LED
17	181012	Service Valve Cap nut	45	109242	Jacket Assembly
18	080206	Bolt Compressor	46	180052	Fan Shroud
19	180036	Compressor	47	299266	Fan Motor Assembly
20	181024	Pipe Assembly – Suction line	48	104794	Fan Cover
21	052240	Controller	49	126116	Fan Cover Label
22	140144	Chassis – Base Assembly	50	090259	Insulation – Access Panel
23	140145	Bracket – Circulator	51	051707	Access Panel Assembly
24	053099	Refrigerant High Pressure Switch	52	122515	Danger Label
25	080311	Union Assembly – Circulator	Not shown		
26	051726	Compressor Wiring Assembly		056041	Element Plug
27	088159	Braided Hose – Cold Water		299265	Service Technicians Kit
28	299362	Circulator- GRUNDFOS PUMP		080156	Module Fastener Kit M6x12 - Bolt
				299276	Kit Fasteners & Cover

Rheem Spare Parts

Heat Pump A55132507 - 325i Series II Storage Cylinder



Rheem Spare Parts

Heat Pump

A55132507 - 325i Series II Storage Cylinder

Item	Part No.	Description
1	100633	Jacket bottom
2	221418	Inlet/outlet pipe seal
3	220516	Inlet diffuser
4	120512	Name band
5	225601	Dip tube (outlet)
7	221904	Anode (black) 1153mm
	221924	Anode (blue) 1153mm
	222024	Anode (Green) 1153mm
8	221720-1	Anode cover
9	087027	Dropper tube seal
10	220558	Dropper tube (short) (manufactured prior to 8/8/2013)
	220520	Hot water return diffuser (manufactured from 8/8/2013)
11	087023	Dropper tube O-ring
12	088040	Brass fitting 3/4" x 1/2"
13	221233	Dropper tube pipe seal
14	220559	Dropper tube (long)
15	080149	Sensor strip grommet
16	221735	Foam cover
17	299306	Sensor strip
18	108375	Jacket top
19	221420	TPRV Seal
20	050704	Element gasket
21	052063	R/Shaw thermostat EWT 1L2-561
	Can use a EWT 1L2-551 set it to 70Deg	
22	102501	Thermostat clamp
23	100703-1	Access cover
24	051404	Element bolts
25	050324	Element 2.4 kW
25	319111	Element 3.6 kW (old 050323)
26	051521	Terminal Block
27	220641	TPR Valve HTE55-1 1/2 x 1000kPa