

TIDE Basin Mixer VTD20

TECHNICAL DETAILS:

W WaterMark Certified

Fixed Spout

All Pressures

Max Pressure: 500kPa (As per AS/NZ 3500.1)

Min. Pressure: 35kPa

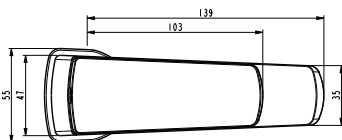
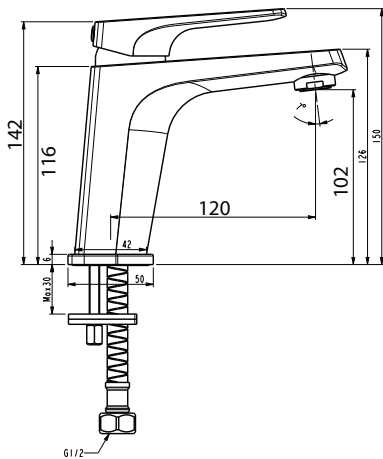
Max. Temp: 65deg.C

WELS Rating: Mains: 4 Star; 7.0 L/min

Low/Unequal: 3 Star; 8.5 L/min

10 Year Warranty (Labour, Parts & Replacement)

5 Year Warranty on PVD Finishes



FINISH		CODE
Brushed Brass (PVD)	VTD20BB	2217428
Brushed Gunmetal (PVD)	VTD20BG	9511905
Brushed Nickel (PVD)	VTD20BN	9511907
Matte Black	VTD20BK	9511906
Chrome	VTD20CH	9511904

*Specifications and dimensions correct at time of publication and are subject to change without notice.

Please refer to physical product prior to installation.

PROUD PARTNER AND SUPPORTER OF MASTER PLUMBERS, GASFITTERS AND DRAINLAYERS

