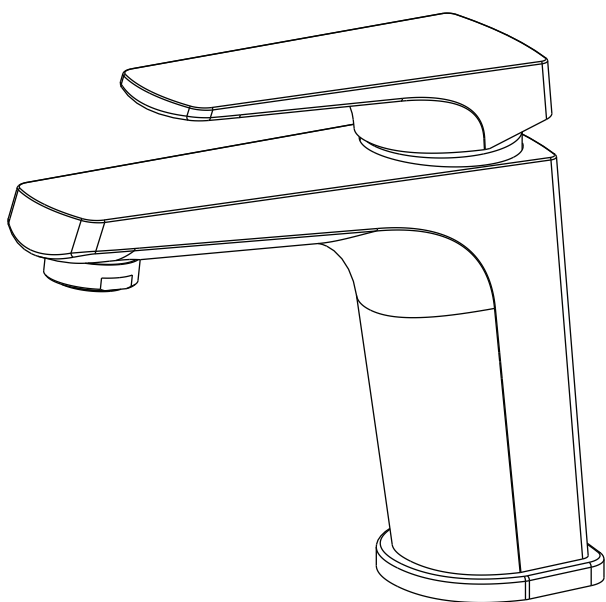


TIDE Basin Mixer VTD20



TECHNICAL DETAILS:

 WaterMark Certified

Fixed Spout

All Pressures

Max Pressure: 500kPa (As per AS/NZ 3500.1)

Min. Pressure: 35kPa

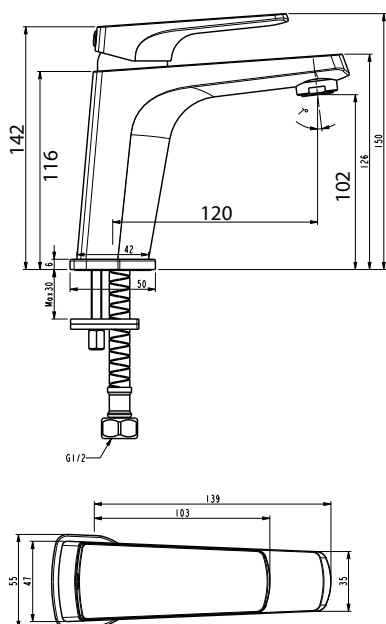
Max. Temp: 65deg.C

WELS Rating: Mains: 3 Star; 9.0 L/min

Low/Unequal: 3 Star; 8.0 L/min

10 Year Warranty (Labour, Parts & Replacement)

5 Year Warranty on PVD Finishes



FINISHES:

PRODUCT CODE:

Brushed Gunmetal (PVD)

VTD20BG

Brushed Nickel (PVD)

VTD20BN

Matte Black

VTD20BK

Chrome

VTD20CH

*Specifications and dimensions correct at time of publication and are subject to change without notice.

Please refer to physical product prior to installation.

PROUD PARTNER AND SUPPORTER OF MASTER PLUMBERS, GASFITTERS AND DRAINLAYERS

