



## CONEKTA METAL HANDLE VALVE

CONEKTA METAL HANDLE is a quarter turn angle valve with anti-lime system inside.

- **VITAQ system:** more life less lime scale at higher temperatures:
  - Increase your installation life span.
  - Smoother open/close operation.
  - Eliminating lime scale from building up over time.
- Brass body made of one single piece, which assures tightness.
- Metallic handle for a longer resistance.
- Thanks to the 15 female loose nut, the valve can be rotated 360° and fixed in the desired position.
- Both, handle and outlet are on an inclined plane for easier access and connection.



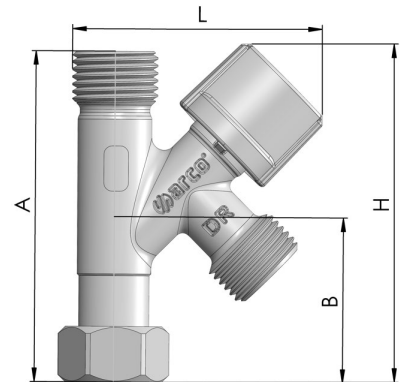
## TECHNICAL DATA SHEET CONEKTA METAL HANDLE VALVE

### PRODUCT SCOPE

Quarter turn valve designed to be used in domestic plumbing installations. It can be connected to any 15 male thread and thus obtaining an additional water outlet (15 or 20) in a very simple way, such as washing machine, dishwasher, hose,...It includes VITAQ system for preventing lime scale problems.

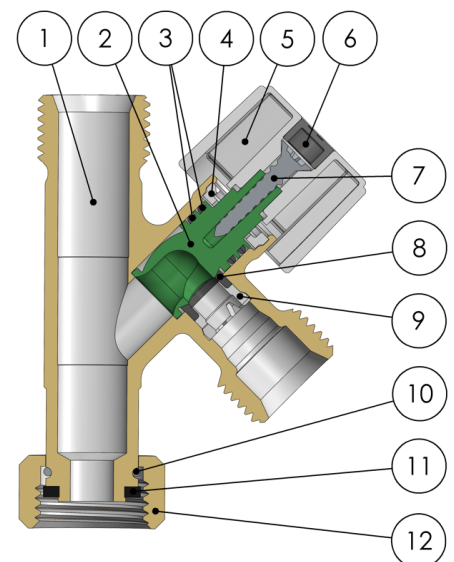
### GENERAL DIMENSIONS, PRESSURE AND TEMPERATURE:

Code	Size	A (mm)	B (mm)	L (mm)	H (mm)	PN (KPa)	Temp. range (°C)
AS516	1/2F x 1/2M x 3/4M	80	40	62	82	1.600	0 up to 80
AS518	1/2F x 1/2M x 1/2M	80	40	62	82	1.600	0 up to 80



### MATERIALS

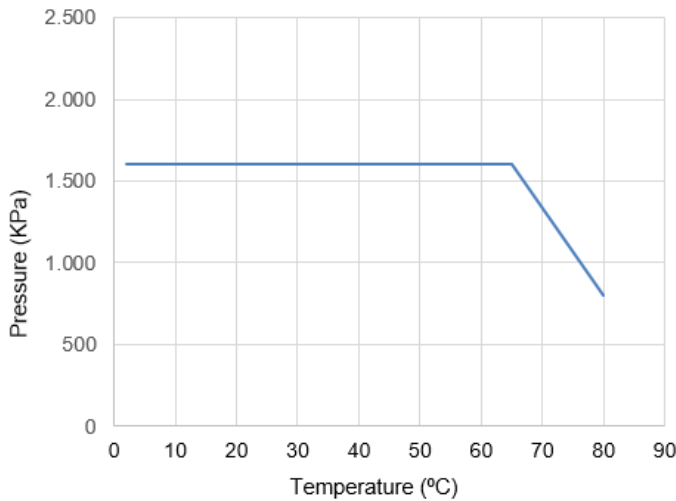
Item	Component	Material	Finishing
1	Body	CW511L Brass	Chrome plated
2	Ball-Stem	Anti-lime polymer	VITAQ
3	O-ring	EPDM	-
4	Supporting clip	POM	-
5	Handle	ZAMAK	Chrome plated
6	Index	ABS	Grey
7	Screw	Stainless steel	-
8	Seat	NBR	-
9	Supporting clip	POM	-
10	Metal ring	Stainless steel	-
11	Washer	NBR	-
12	Nut	CW617N Brass	Chrome plated



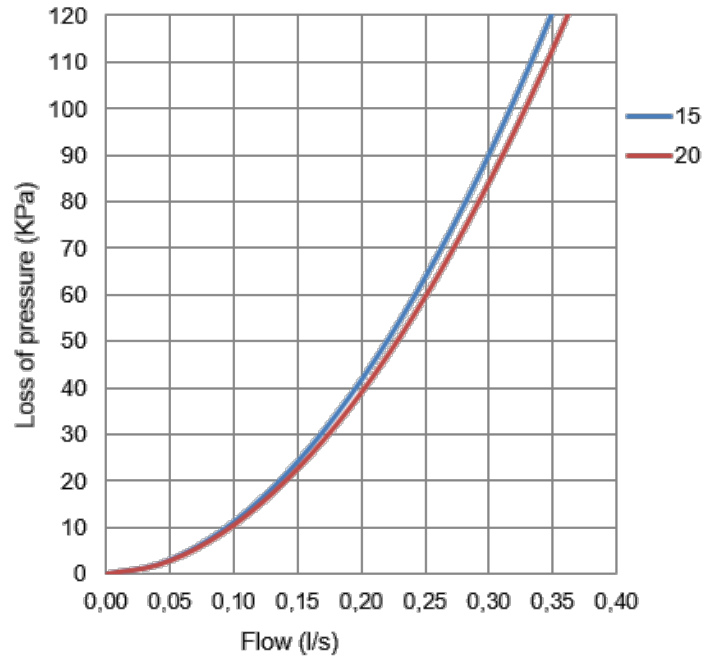


## TECHNICAL DATA

### Pressure vs temperature



### Hydraulic features. Flow vs Loss of pressure



### Compatibility with fluids

Fluid	Compatibility
Drinking water	Excellent

For any other fluid, please contact Arco technical Service.

Size	15	20
Kv	1,14	1,18

Kv (m<sup>3</sup>/h), cubic meters per hour that flow through the valve generating a loss of pressure of 1 bar.

## INSTALATION INSTRUCTIONS

This product is designed to be used in drinking water supply, in compliance with the Lead-Free requirements of the National Construction Code Volume 3. For installation refer to AS/NZS 3500.

Nominal Pressure 1.600 Kpa. Temperature range 0 to 80°C excluding freezing.

1. Switch off flow of water to the installation area.
2. Do not apply sealing material tape to the thread of the inflow pipe, include a flat joint.
3. Thread the valve onto the inflow pipe. Do not apply excessive torque, it can damage the washer.
4. Connect hose to fixture and to the outflow connection of the valve, ensure that connections are watertight.
5. Check operation of valve by turning handle a full quarter turn to ensure connections are watertight.



All products have an enviromental impact during its life cicle, even once retired. All the components of this product can be recycled. Once the use is over, leave the valve in any recicling green point. Válvulas Arco reserves the right to change the product or any of its technical specifications without prior notice.

FT02540ING – Edition 2024-07