

KADO

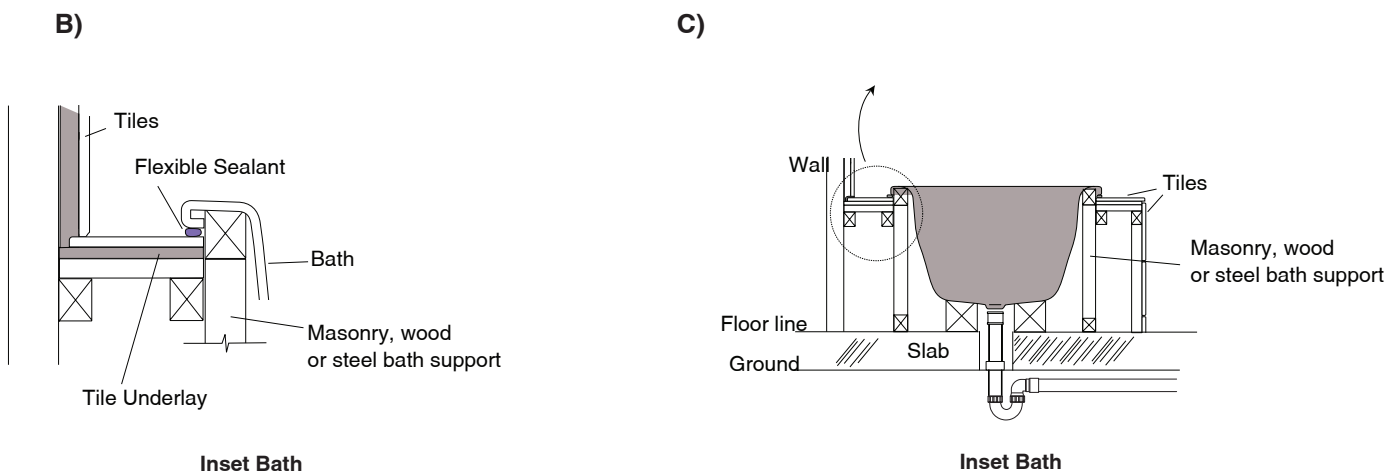
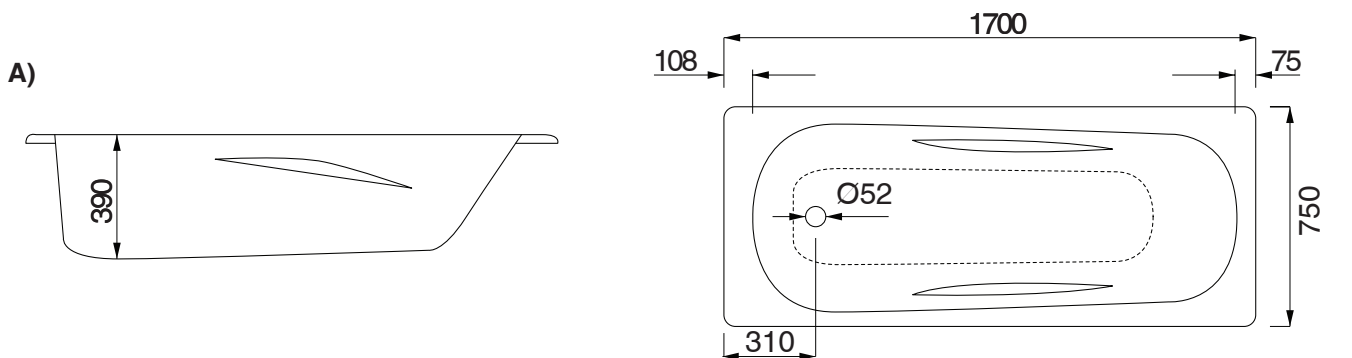
Kado Lux Bath Pressed Steel 1700mm x 750mm White

NOTE:

This installation guide does not include details of waterproofing or waste connection. Final decision about installation should be taken by a suitably qualified person.

Please check surface thoroughly before installing. Installation of the bath will be taken as acceptance of the product. Also, it is important to install the product in accordance with the installation instructions below.

1. Install waste pipe in accordance with the set out (Diagram A). Check the waste pipe will align accurately with bath waste. It may be necessary to use a flexible coupling or length of unrestrained waste pipe to absorb strain on the bath due to misaligned waste setup (see Diagram C).
2. This bath is not self-supporting and does require a support at the base via masonry, steel or timber. It is important that the full rim of the bath rests on a support frame constructed from wood, masonry or steel.
3. Bath installation shall incorporate waterproofing under the bath to AS3740 requirements.
4. To accommodate for any flex in the bath, adequate clearance should be maintained between the floor and the bath.
5. Place bath in position and connect waste. Fill bath and then release, checking seals for leaks and that the bath drains successfully.
6. Apply flexible sealant to the exposed edges.



Plumbers, please ensure a copy of the installation instructions is left with the end user for future reference.