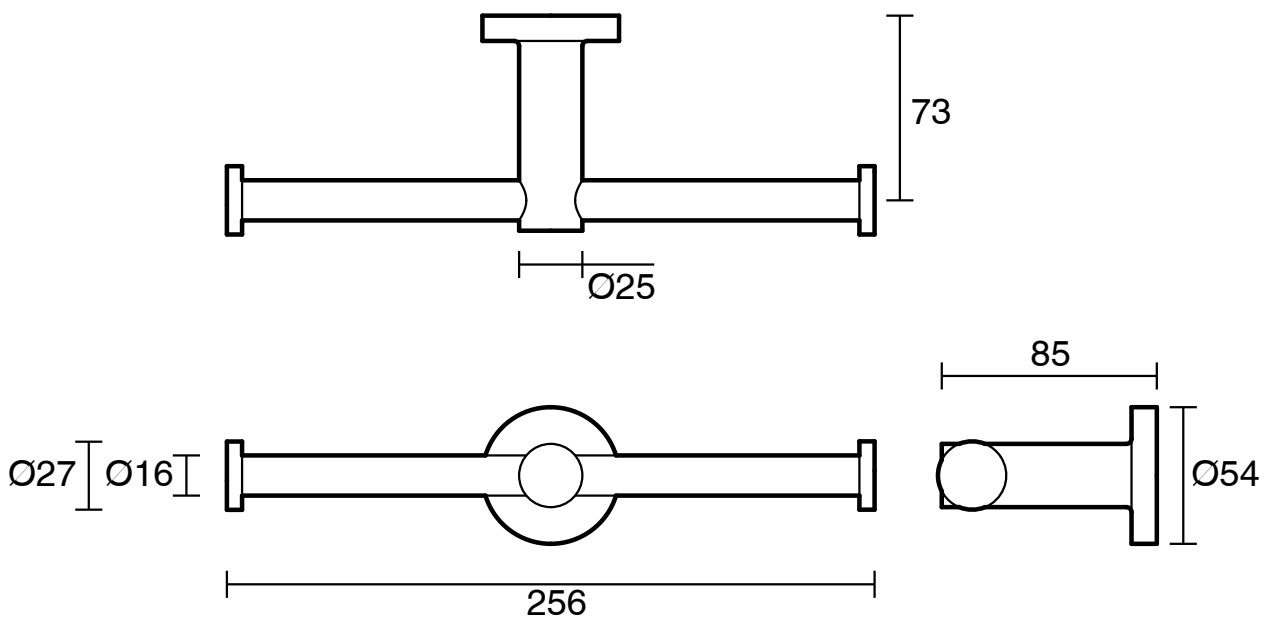


S U S S E X

Sussex Scala Double Toilet Roll Holder Chrome

2262934

SPECIFICATIONS	
Recommended Use	Domestic;Hotel;Commercial
Colour Finish	Polished Chrome
Primary Material	Brass
WARRANTY	
Replacement Only - Domestic Use (Years)	15
Parts Replacement Only (Years)	15
<i>Please refer to Warranty Page for full Terms and Conditions</i>	



Dimensions are nominal measurements only.

CLEANING RECOMMENDATIONS:

We recommend the use of soapy water or approved cleaners. This product should not be cleaned with abrasive materials. Damage caused by any improper treatment is not covered by the product warranty. Refer to Warranty Conditions

Disclaimer: Products in this specification manual must by regulation be installed by licensed and registered trade people. The manufacturer/distributor reserves the right to vary specifications or delete models from their range without prior notification. Dimensions are nominal measurements only. Dimensions and set-outs listed are correct at time of publication however the manufacturer/distributor takes no responsibility for printing errors.

Published 12/03/2025

To see the complete Sussex range go to www.reece.com.au

