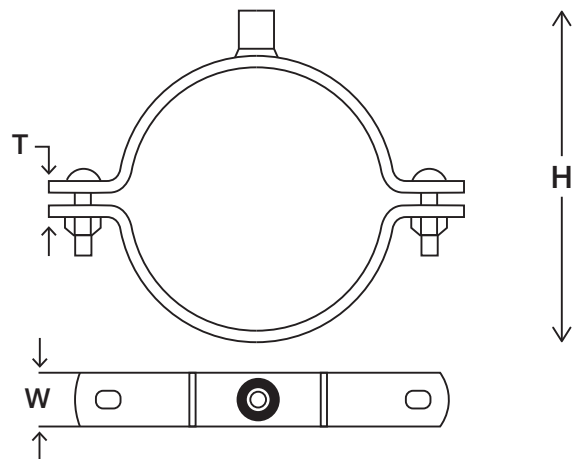




Silverback Bolted Copper Clip 12-150mm

SPECIFICATIONS

Suitable for	Copper Pipe
Product Type	Bolted Nut Clip
Rec. Max Load Rating	1400 N
Warranty	12 Months
Size Range	40 mm - 225 mm
Thread Size	M10
Material	Plain Steel
Finish	Powder Coated
Colour	Brown



DIMENSIONS

Product Codes	Product Description	Size	Pipe OD	H	T	W	Box Qty.
		mm	mm	mm	mm	mm	
510857	Silverback Bolted Clip - CU 15mm	12	12.7	37	2	20	50
510858	Silverback Bolted Clip - CU 20mm	20	19	46	2	20	50
510859	Silverback Bolted Clip - CU 25mm	25	26	49	2	20	50
510860	Silverback Bolted Clip - CU 32mm	32	32	57	2	20	50
510861	Silverback Bolted Clip - CU 40mm	40	38	65	2	20	50
510862	Silverback Bolted Clip - CU 50mm	50	52	77	2	20	50
510863	Silverback Bolted Clip - CU 65mm	65	65	91	2	20	50
510864	Silverback Bolted Clip - CU 80mm	80	76	96	2	20	50
510865	Silverback Bolted Clip - CU 100mm	100	102	127	3	20	50
510866	Silverback Bolted Clip - CU 125mm	125	127	153	3	20	20
510867	Silverback Bolted Clip - CU 150mm	150	153	173	3	20	20

Dimensions are nominal measurements only.

Disclaimer: Products in this specification manual must by regulation be installed by licensed and registered trade people. The manufacturer/distributor reserves the right to vary specifications or delete models from their range without prior notification. Dimensions are nominal measurements only. Dimensions and set-outs listed are correct at time of publication however the manufacturer/distributor takes no responsibility for printing errors.

Published 21/03/18

