

Roca The Gap Wall Bidet without Cover

SPECIFICATIONS

Recommended Use	Domestic, Hotel & Commercial
Material	Vitreous China
Colour	White
Weight of Bidet	18 kg
Fixing	To wall using solid or cavity wall brackets (not supplied)
Overflow	Intergrated Overflow
Taphole	1 Taphole
Bidet Cover	Sold Separately
Tapware	Sold Separately
Standards	AS 3494

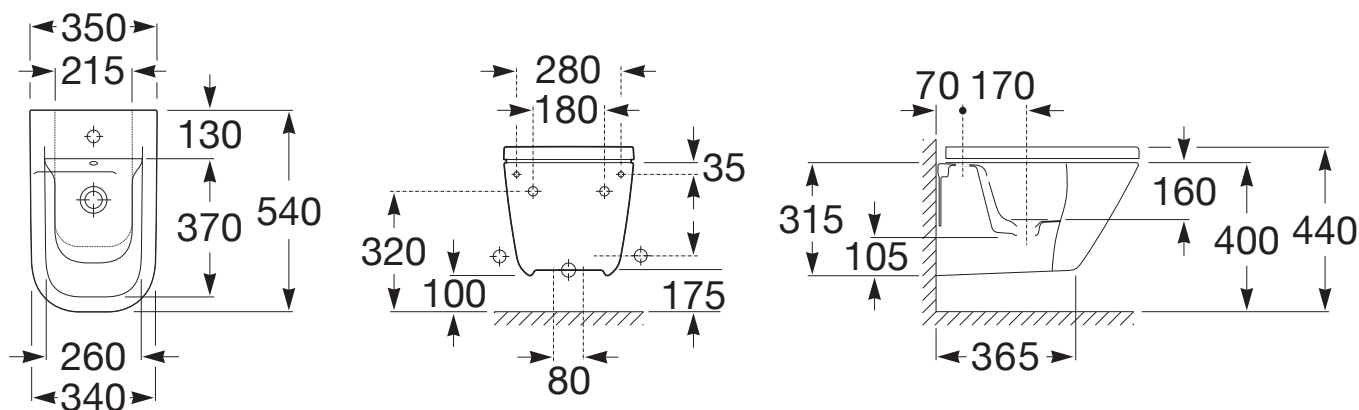
WARRANTY

Warranty - Domestic Use	15 Years
Parts & Labour	12 Months

Please refer to Warranty Page for full Terms and Conditions



Image shown with bidet cover is product 9509649



CLEANING RECOMMENDATIONS:

We recommend the use of soapy water or approved cleaners. This product should not be cleaned with abrasive materials. Damage caused by any improper treatment is not covered by the product warranty. Refer to Warranty Conditions.

Dimensions are nominal measurements only.

Disclaimer: Products in this specification manual must by regulation be installed by licensed and registered trade people. The manufacturer/distributor reserves the right to vary specifications or delete models from their range without prior notification. Dimensions are nominal measurements only. Dimensions and set-outs listed are correct at time of publication however the manufacturer/distributor takes no responsibility for printing errors.

Published 16/06/2023