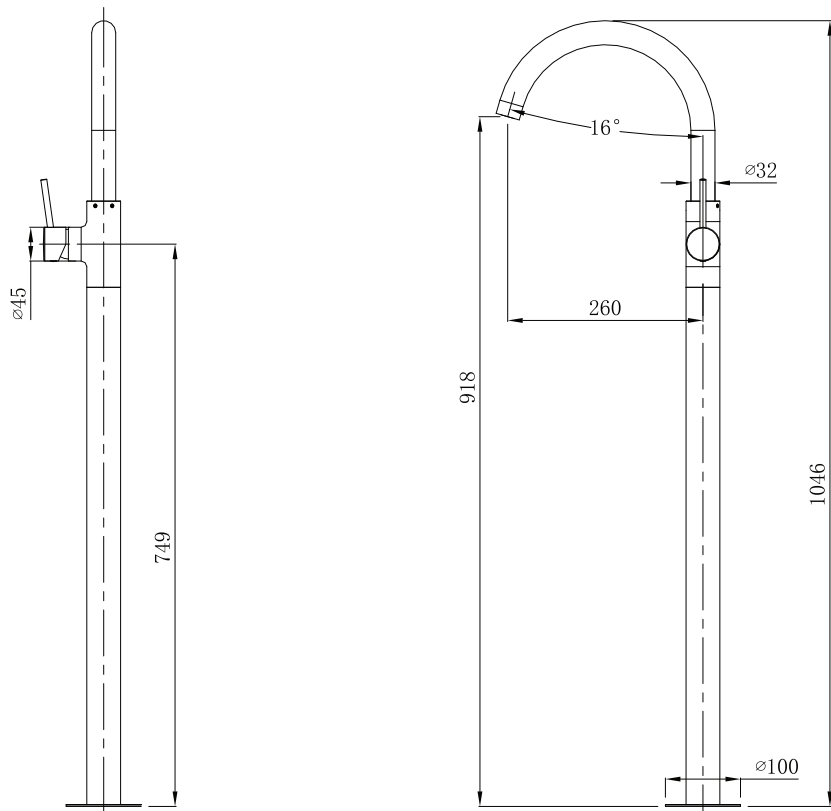
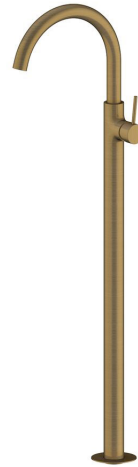


mizu

Mizu Drift MK2 Floor Mounted Mixer Brushed Gold

9509976

SPECIFICATIONS	
Recommended Use	Domestic, Hotel & Commercial
Colour	Brushed Gold
Material	DR Brass
Recommended Pressure Range	150 - 800 kPa
Maximum Continuous Working Pressure	800 kPa
Maximum Continuous Working Temperature	70 deg C
Suitable for Storage Tank Hot Water	Yes
Suitable for Continuous Flow Hot Water	Yes
Suitable for Gravity Feed Hot Water	No
WARRANTY	
Warranty - Domestic Use	10 Years
Spare Parts & Labour	12 Months
<i>Please refer to Warranty Page for full Terms and Conditions</i>	



Dimensions are nominal measurements only.

CLEANING RECOMMENDATIONS:

We recommend the use of soapy water or approved cleaners. This product should not be cleaned with abrasive materials. Damage caused by any improper treatment is not covered by the product warranty. Refer to Warranty Conditions

Disclaimer: Products in this specification manual must by regulation be installed by licensed and registered trade people. The manufacturer/distributor reserves the right to vary specifications or delete models from their range without prior notification. Dimensions are nominal measurements only. Dimensions and set-outs listed are correct at time of publication however the manufacturer/distributor takes no responsibility for printing errors.

Published 14/10/2020

To see the complete Mizu range go to www.reece.com.au/bathrooms

