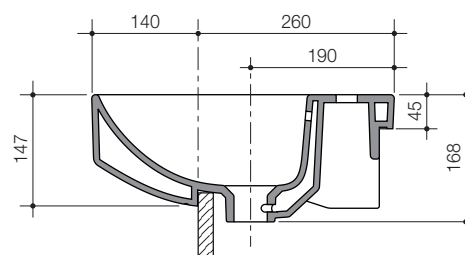
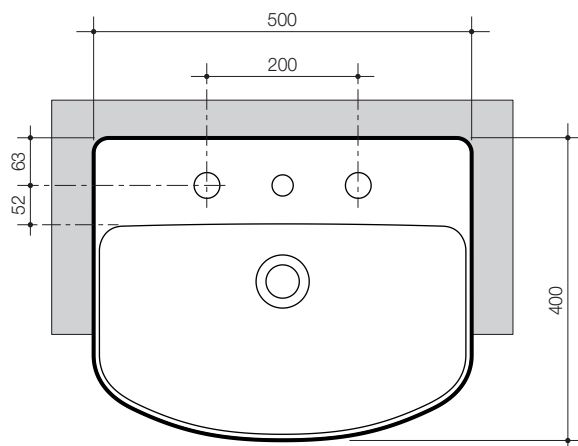




FORMA SEMI RECESSED BASIN 500MM



SPECIFICATIONS

Recommended use	Domestic, hotel and commercial.
Material	Ceramic
Tap holes	0 tap holes, 1 tap hole and 3 tap hole options.
Waste outlet	Chrome flush fitting waste and white plug (supplied); suitable for a 40mm trap connection. Alternative waste options are available - Chrome grate waste and white plug, vandal resistant flush fitting plug and chrome waste, covered plug and waste and vandal resistant covered chrome plug and waste (sold separately).
Bowl capacity	5.3 litres to overflow
Overflow	Overflow available only. Designed for maximum tap flow rate of 15 litres/minute.
Fixing	D.250 Bracket with Tie Hooks (supplied)
Colour availability	White
Tapware	Sold separately



To see the complete FORMA range go to www.reece.com.au/bathrooms

CLEANING RECOMMENDATIONS

This bathroom product should not be cleaned with abrasive materials eg. steel wool/scourers. Do not use any corrosive or abrasive cleaning agents containing acids or scouring agents. Bleaches can also discolour products and therefore should not be used. Damage caused by any improper treatment is not covered by the product warranty - refer to Warranty Conditions.

Disclaimer: Products in this specification manual must by regulation be installed by licensed and registered trade people. The manufacturer/distributor reserves the right to vary specifications or delete models from their range without prior notification. Dimensions and set-outs listed are correct at time of publication however the manufacturer/distributor takes no responsibility for printing errors.

Tech Page Version: 1





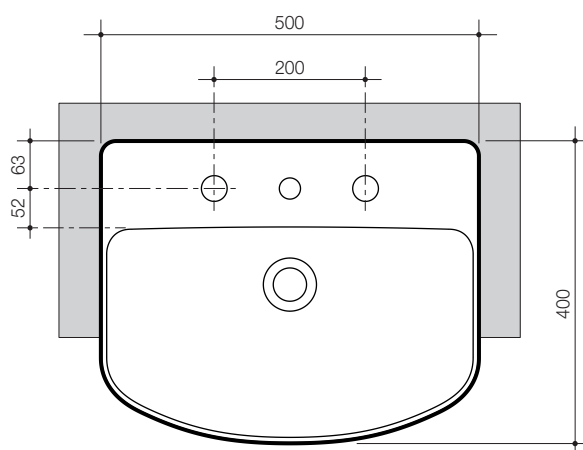
FORMA SEMI RECESSED BASIN 500MM

INSTALLATION INSTRUCTIONS

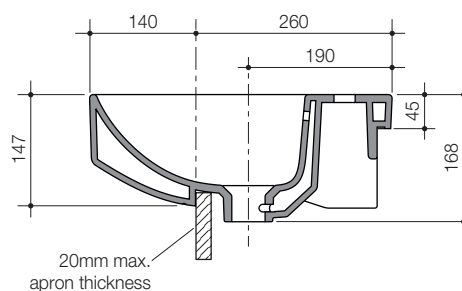
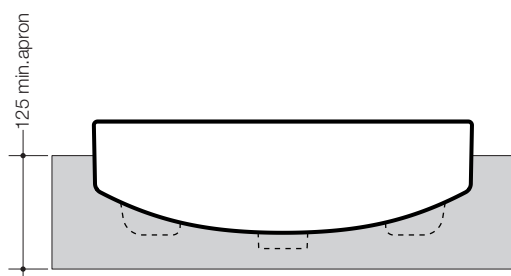
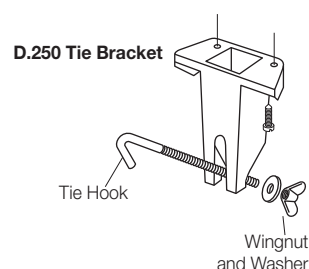
1. Fold template and place over countertop and apron.
2. Attach template cut-out guide to countertop with adhesive tape or otherwise transfer cut-out line to countertop.
3. Cut out countertop with care.
4. Fit taps and waste assembly to basin.
5. Apply a layer of acetic cured silicone sealant around the sealing rim and apron. Important: do not use epoxy sealants.
6. Align and secure the brackets to the underside of countertop in the corner positions as shown.
7. Attach the Tie Hooks to the holes in the basin and lower into opening. Secure from underneath.

Fixing: Two D.250 brackets are fixed to the underside of the counter top to secure the tie hooks which anchor the back of the basin to the counter. The basins must be sealed to the top and front section of the counter with an acetic cured silicone sealant. Epoxy type glues must not be used. The basin is supplied with a template which must be used for the counter top cut-out.

IMPORTANT: For granite or marble tops, fix two 20mm thick wooden blocks in the bracket position on the underside of the granite/marble with fast setting two part epoxy. When fully set screw the brackets into position on the wooden blocks. Other suitable fastening systems maybe used. The underside of the basin rim must be sealed to the counter top with an acetic cured silicone sealant. Epoxy type glues must not be used. The basin is supplied with a template which must be used for the counter top cut-out.



Variable when using D250 tie brackets.
Note: Local authorities have requirements for minimum basin to wall dimensions.



Plumbers, please ensure a copy of the installation instructions is left with the end user for future reference