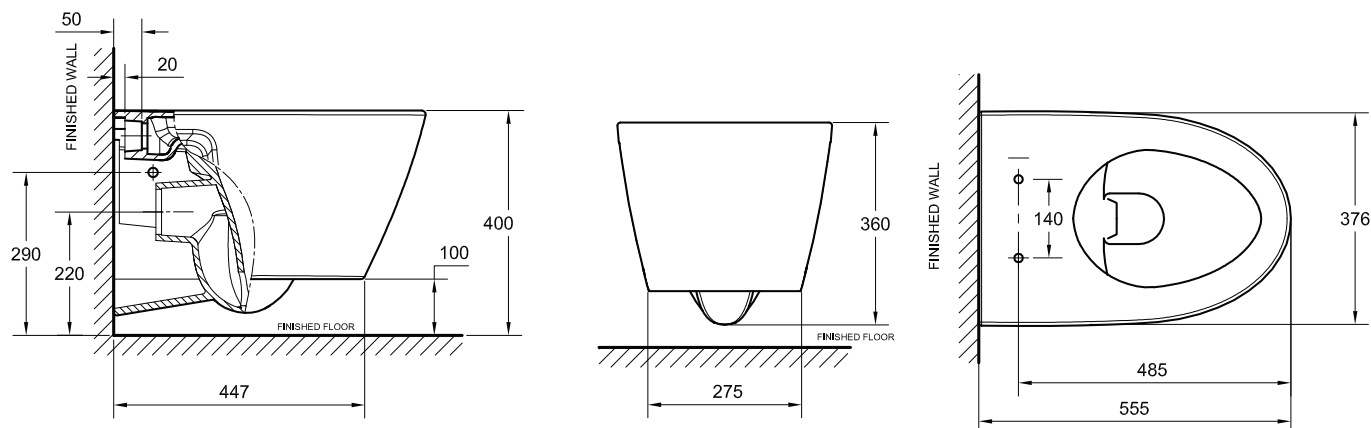


American Standard

American Standard Acacia E Wall Hung Pan White (4*)



Dimensions are nominal measurements only.

SPECIFICATIONS

Recommended use	Domestic Hotel and Commercial.
Material	Vitreous China- Proguard
Weight	27.5 kg
Rim configuration	Rimless- Double Vortex
Bowl configuration	P Trap only
Pan fixing	Fixed to wall using solid or cavity wall bracket (supplied)
Cistern requirement	For use with inwall cistern or flush valve (ordered seperately)
Seat	Soft Close Quick Release Seat



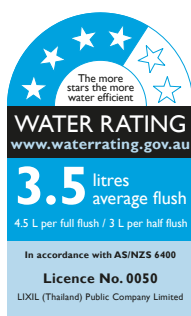
To see the complete AMERICAN STANDARD range go to www.reece.com.au/bathrooms

CLEANING RECOMMENDATIONS

We recommend the use of soapy water or approved cleaners.

This product should not be cleaned with abrasive materials.

Damage caused by any improper treatment is not covered by the product warranty. Refer to Warranty Conditions.



Disclaimer: Products in this specification manual must by regulation be installed by licensed and registered trade people. The manufacturer/distributor reserves the right to vary specifications or delete models from their range without prior notification. Dimensions are nominal measurements only. Dimensions and setouts listed are correct at time of publication however the manufacturer/distributor takes no responsibility for printing errors.

Tech Page Version 1



American Standard Acacia E Wall Hung Pan White (4*)

INSTALLATION INSTRUCTIONS

