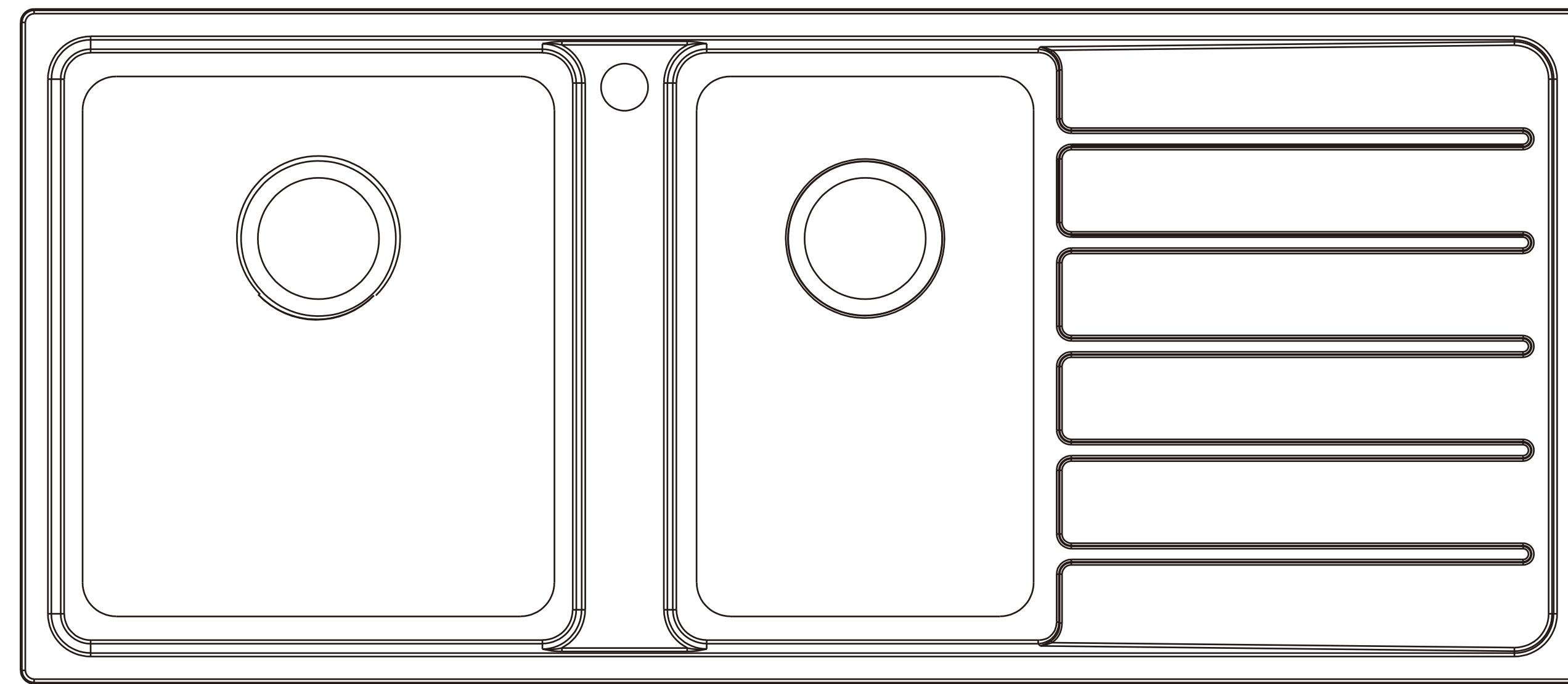


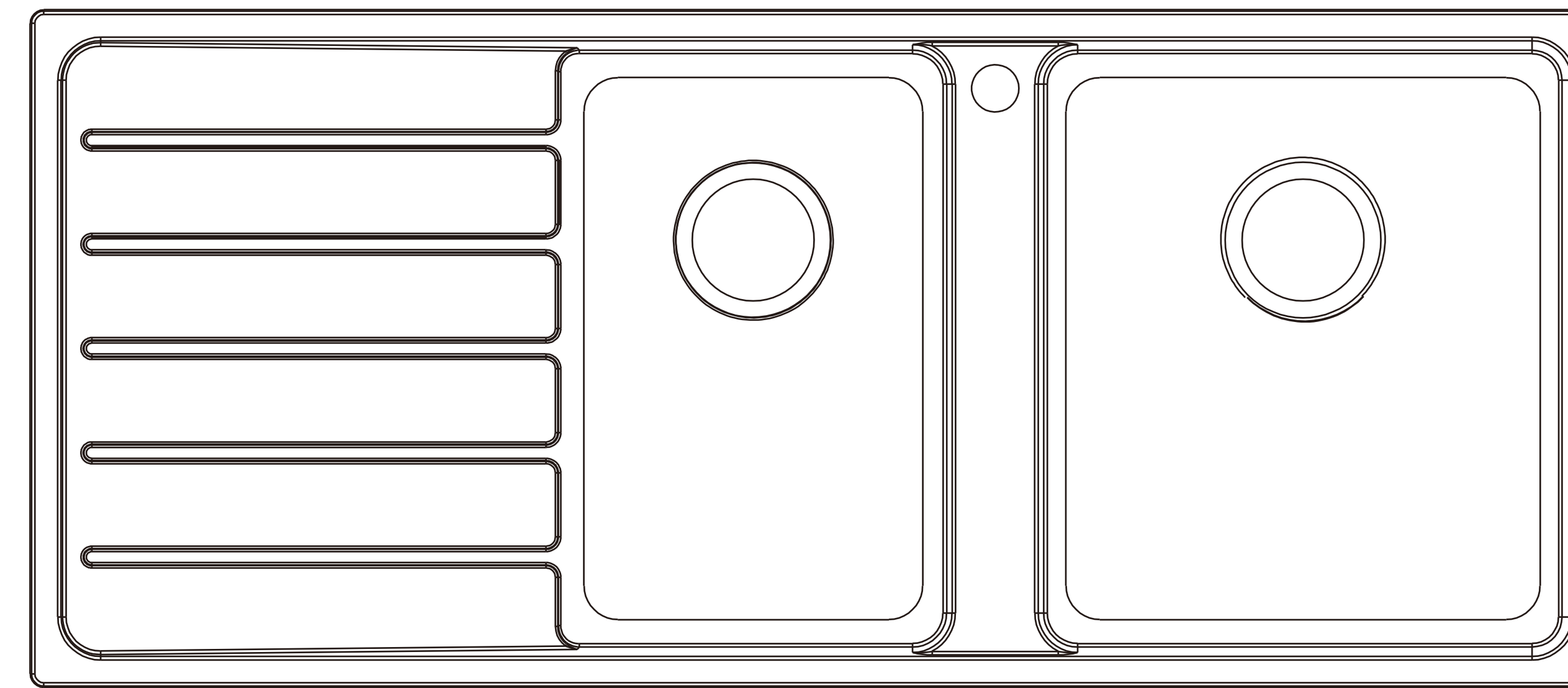
R20

## Memo Oscar Sink Cutout Template

Memo Oscar Inset Left Hand 1 & 1/2 Bowl & Drainer Sink Overflow 1 Taphole  
Reece Code: 36435



Memo Oscar Inset Right Hand 1 & 1/2 Bowl & Drainer Sink Overflow 1 Taphole  
Reece Code: 36436



Use outer line for inset installation

Please note that the cutout template is provided as a guide only.  
This cutout template should be checked against the actual sink  
to determine correct fit.

Scale 1:1 at A0

**memo**

1136

476