

KADO

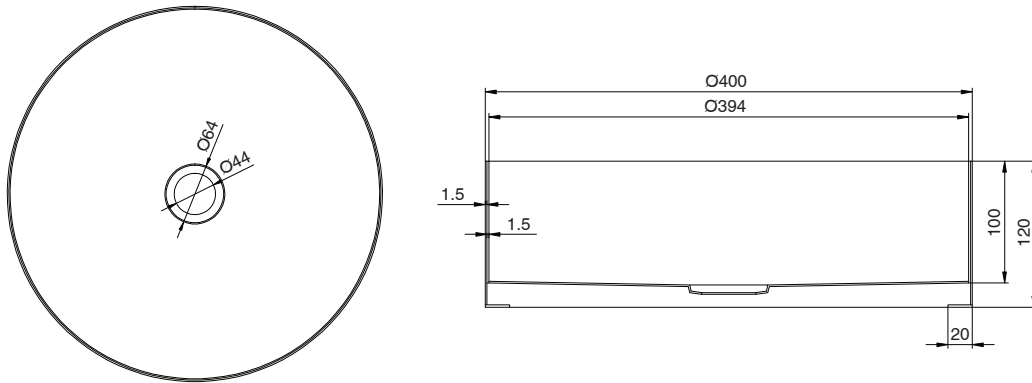
Kado Aspect Stainless Steel Basin Round 400mm with Plug & Waste

NOTE

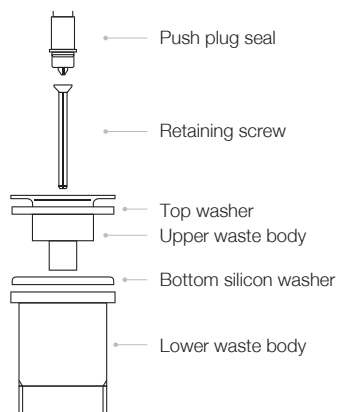
If wall mounted tapware is to be used, consideration should be made to the length of the outlet and the positioning of the basin on bench top.

If tapware is to be bench mounted, allow a suitable top width for fitting tapware.

1. Cut out 135mm waste hole in bench top.
2. Fit selected tapware and waste to basin. Ensure waste is siliconed around the rim.
3. Apply waterproof sealant (not supplied) to the rim of the basin and to the bench top.
4. Fit basin onto the bench top and press firmly all around to achieve good seal.
5. Remove surplus sealant.



WASTE SUPPLIED



Assembly instructions

1. Disassemble components and locate the upper waste body, fitted with top washer, into the basin outlet
2. Introduce lower waste body fitting with silicon washer to basin underside and align components with retaining screw
3. Tighten waste assembly and fit push plug seal
4. Check operation of push plug seal and ensure waste is fully sealed into basin top and bottom

Dimensions are nominal measurements only.

Plumbers, please ensure a copy of the installation instructions is left with the end user for future reference.