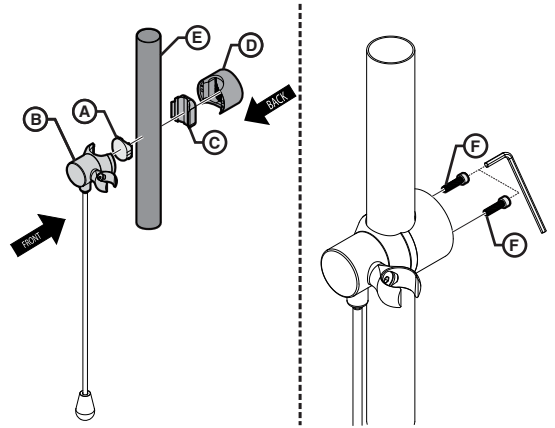


mizu

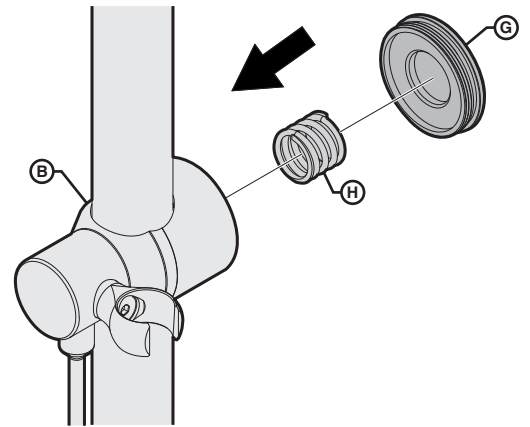
Drift Shower Kit with Push Pull 6 Litres per minute (5 Star)

Shower Kit Installation

1. Ensure Front Slider insert (A) is fitted to Front Slider Body (B).
2. Fit Back Slider Insert (C) to Back Slider Body (D).
3. Place front and back of Slider around Slide Rail (E).
4. Fasten bodies together using Screws (F) hex key provided.



5. Fasten End Cap (G) to Back Body (B) with Spring (H) inside to apply back pressure. (Compress spring and turn end cap clockwise).

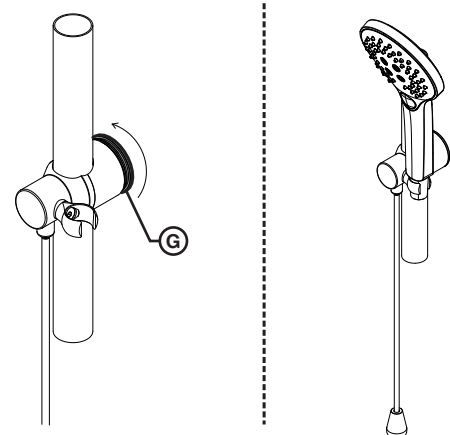


6. Screw End Cap (G) until it hits stop.

Important
Clean with mild detergent or clear liquid cleansers. Wipe dry with a clean soft cloth.

Important
Do not use steel wool or any abrasive cleansers.

Important
Avoid prolonged exposure to any chemical solution containing chlorides or acids. Surface damage caused by acids will void warranty.



mizu

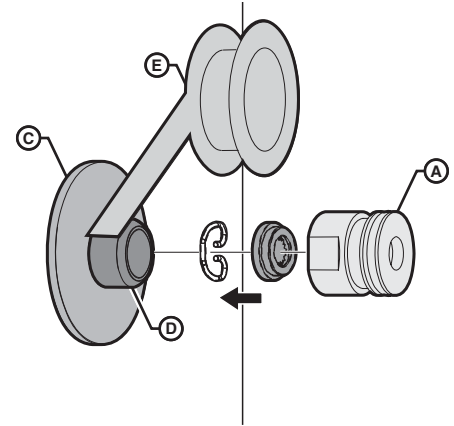
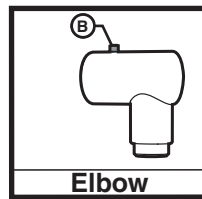
Drift Shower Kit with Push Pull 6 Litres per minute (5 Star)

Wall Installation

Screw elbow onto wall fitting.

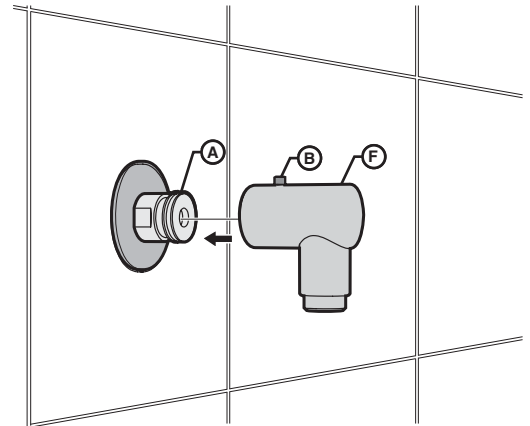
6. Remove spigot (A) by loosening grub screw (B) in elbow. Fit flange (C) over wall outlet. Seal thread (D) with thread tape (E), screw spigot (A) onto wall outlet until seated firm against flange (C).

Note: Thread should be protruding 10-14mm from wall.



7. Make sure 5mm grub screw (B) is flush with inside of spigot (A) housing (to avoid o-ring damage). Push elbow (F) onto spigot (A) firmly ensuring that the o-ring seal is fully engaged and the elbow (F) finishes flush with the wall plate.

Note: Ensure there is no gap between spigot and flange.

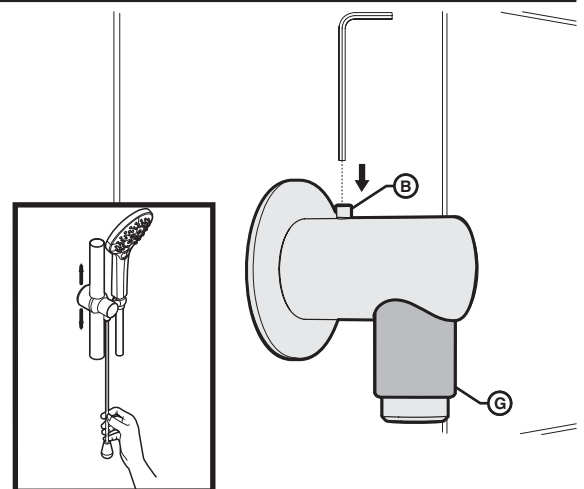


8. Use 2.5mm hex key supplied, tighten 5mm grub screw (B).

Standards Mark Valve Cover

9. Remove sticker after inspection (G).

Note: Handshower is adjustable from standing or seated positions.



Care Details

We recommend the use of soapy water or approved cleaners. This product should not be cleaned with abrasive materials. Damage caused by any improper treatment is not covered by the product warranty. Refer to Warranty Conditions

Plumbers, please ensure a copy of the installation instruction is left with the end user for future reference.

