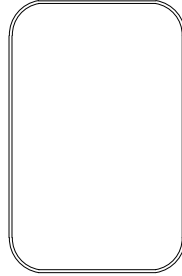


Cloud Mirror

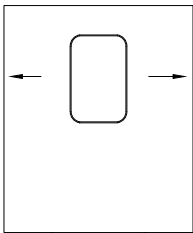


Mirror Fitting Instructions

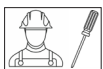
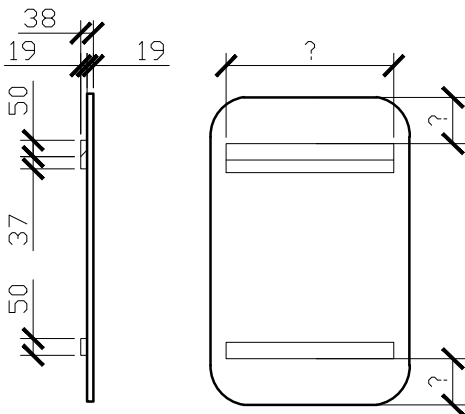
- Prior to installation it is important to inspect the mirror to ensure no damage has occurred in transit. If damage has occurred, or a visible defect exists, do not proceed with the installation and advise supplier immediately. No warranty claim for damage will be accepted if the mirror is installed. This includes scratches to the glass.
- Prior to installation check wall/tile surface where mirror will be fitted is clean and level.
- It is recommended that the mirror is protected during installation.

PLEASE NOTE: MANUFACTURER WILL NOT BE LIABLE FOR THE COST OF INSTALLATION OR REMOVAL OF THE MIRROR & THE WARRANTY WILL BE VOIDED IF DAMAGE OCCURRED DURING INSTALLATION.

1. Check that the mirror will fit into the location. On timber studded walls, mark the positions of the studs, so to be able to fix the unit to these later.



2. Turn mirror over and measure the location of the brackets.

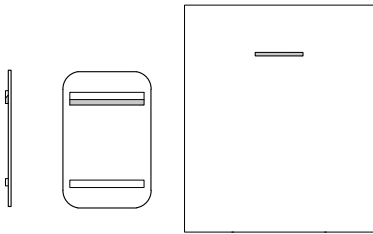


Mirror should be installed by a qualified, licensed trade person.

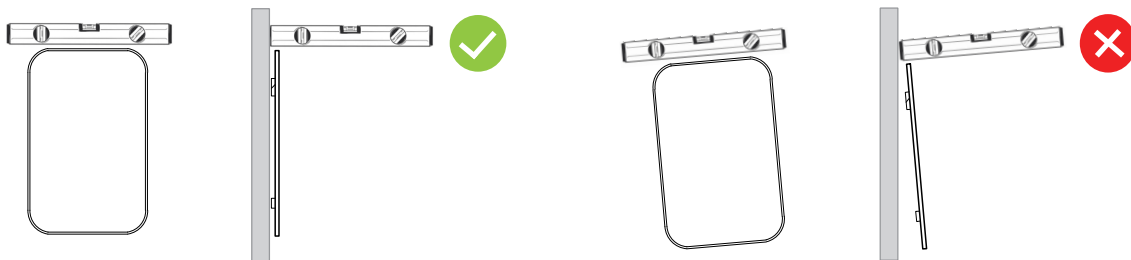
Plumbers, please ensure a copy of the Installation Instructions are left with the end user for future reference

Cloud Mirror

3. With these measurements, using your marked wall as a guide, screw the bracket into position, ensuring screws are fixed to studs.



4. Check with spirit level that the bracket is level.



5. Hook mirror to the wall mounted bracket, you can also use silicone to mount the mirror permanently.

