

KADO

Lussi Mirror Cabinet



SPECIFICATIONS

Recommended Use	Domestic, Hotel & Commercial
Material	Cabinet: timber laminate on 2pac on Green Tag certified; 'green rate - level A' high moisture resistant E0 MDF. Mirror glass: 6mm copper free silver mirror. Adjustable shelves: Solid surface white
Colour	Please refer to the Material, Colour and Finishes options on the website for more information
Installation	Installed on finished wall or semi recessed into cavity wall
Fixing	Mirror cabinet: bolted/screwed to wall by licensed trades person. Installer must determine and supply appropriate wall fixings. Shelving: supplied with easy install split battens.
Features	Adjustable solid surface shelves Soft close door Dual power socket with dual USB port in cabinet
Door	Hettich soft close hinged door(s)



STANDARD SIZES	480	780	1080	1380
Width (mm)	480	780	1080	1380
Depth (mm)	162	162	162	162
Height (mm)	950	950	950	950
Weight (kg)	21	28.5	33.5	52
Number of Doors	1	1	1	2
Door opens	Left or Right ¹	Left or Right ¹	Left or Right ¹	1x Left 1x Right
Adjustable Shelves	4	4+2	4+2	4+4+2

¹ Must be specified at the time of ordering.

Dimensions are nominal measurements only.

Disclaimer: Products in this specification manual must by regulation be installed by licensed and registered trade people. The manufacturer/distributor reserves the right to vary specifications or delete models from their range without prior notification. Dimensions are nominal measurements only. Dimensions and set-outs listed are correct at time of publication however the manufacturer/distributor takes no responsibility for printing errors.

Published 13/04/2023

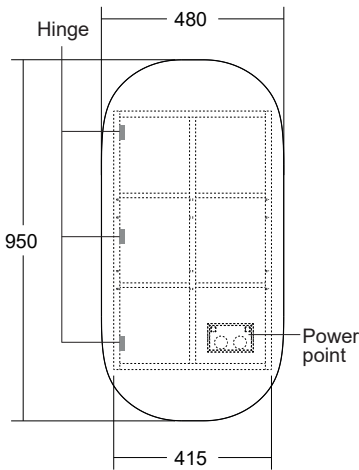


KADO

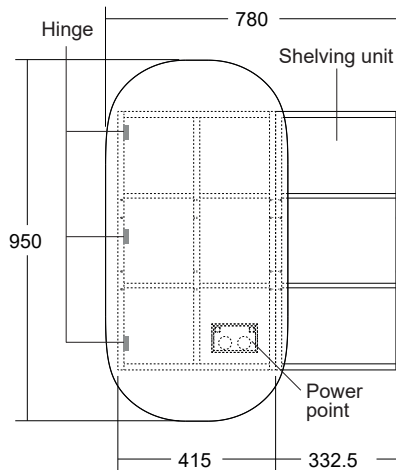
Lussi Mirror Cabinet

Lussi Mirror Cabinet - Hinge Left

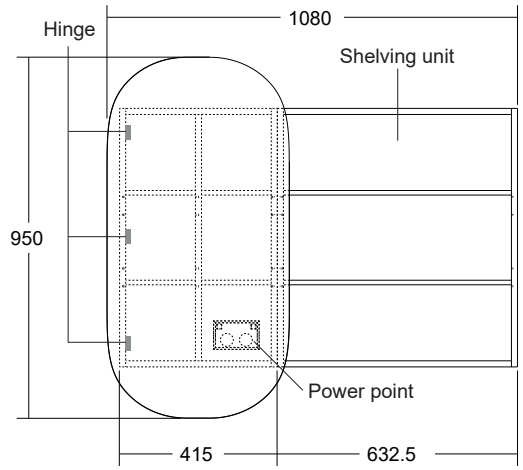
Lussi 480 Mirror Cabinet



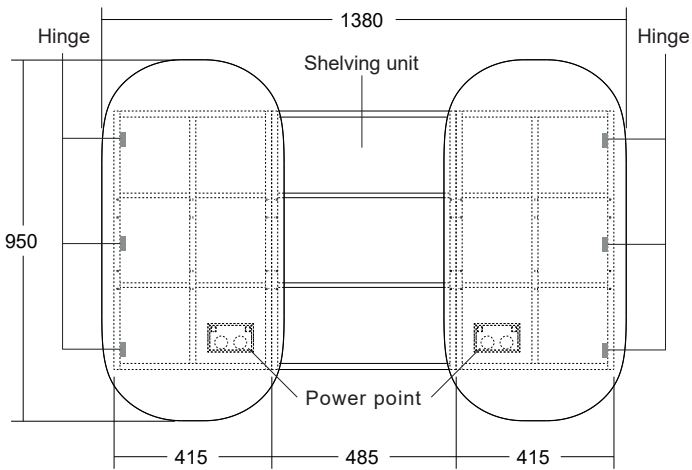
Lussi 780 Mirror Cabinet



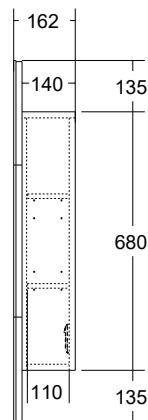
Lussi 1080 Mirror Cabinet



Lussi 1380 Mirror Cabinet



Side view - all sizes



Dimensions are nominal measurements only.

Disclaimer: Products in this specification manual must by regulation be installed by licensed and registered trade people. The manufacturer/distributor reserves the right to vary specifications or delete models from their range without prior notification. Dimensions are nominal measurements only. Dimensions and set-outs listed are correct at time of publication however the manufacturer/distributor takes no responsibility for printing errors.

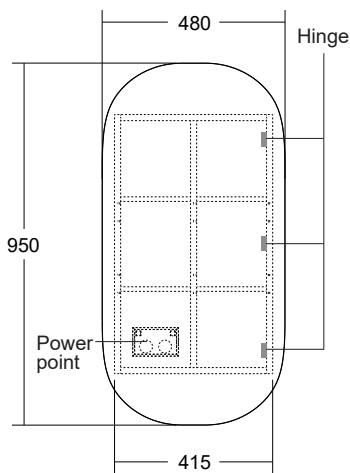
Published 13/04/2023

KADO

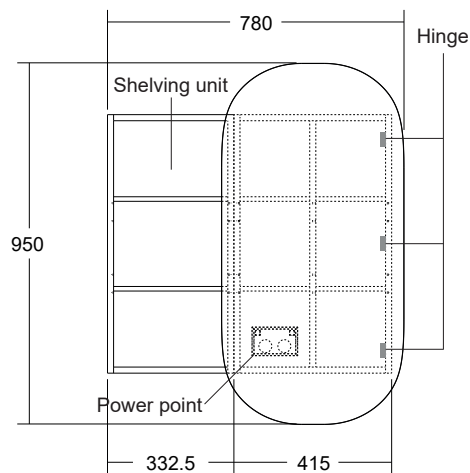
Lussi Mirror Cabinet

Lussi Mirror Cabinet - Hinge Right

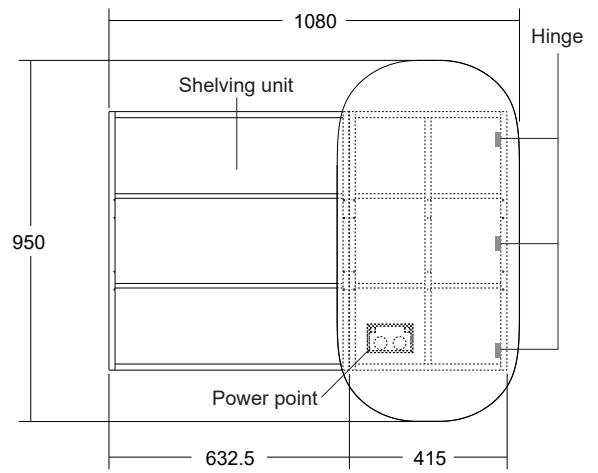
Lussi 480 Mirror Cabinet



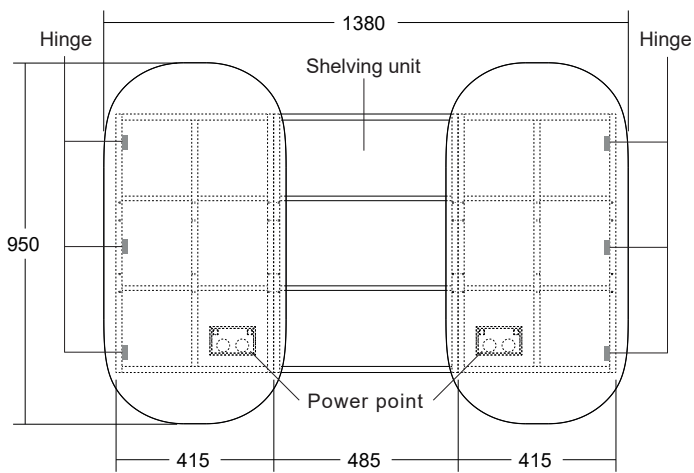
Lussi 780 Mirror Cabinet



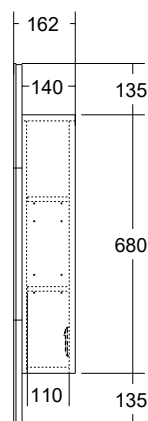
Lussi 1080 Mirror Cabinet



Lussi 1380 Mirror Cabinet



Side view - all sizes



Dimensions are nominal measurements only.

Disclaimer: Products in this specification manual must by regulation be installed by licensed and registered trade people. The manufacturer/distributor reserves the right to vary specifications or delete models from their range without prior notification. Dimensions are nominal measurements only. Dimensions and set-outs listed are correct at time of publication however the manufacturer/distributor takes no responsibility for printing errors.

Lussi Mirror Cabinet

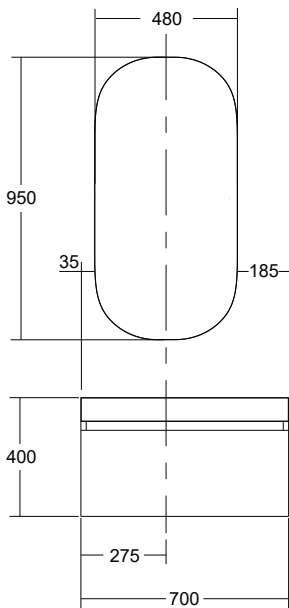
Recommended Lussi Mirror Cabinet & Lussi Vanity Configurations:

* Lussi mirror cabinet sold separately to basin & vanity.

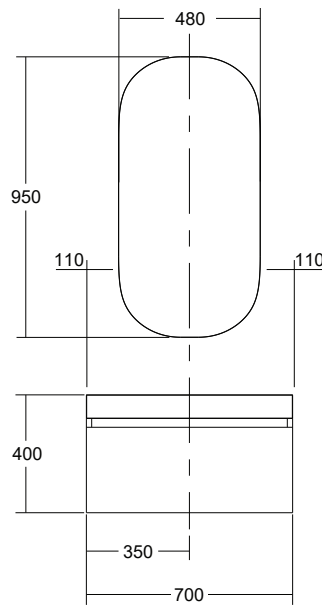
Please note:

- In the below configurations mirrors are centred over basin waste points.
- Drawings of vanities with single left hand bowls are also available with right hand bowls. Reverse details for right hand bowls.

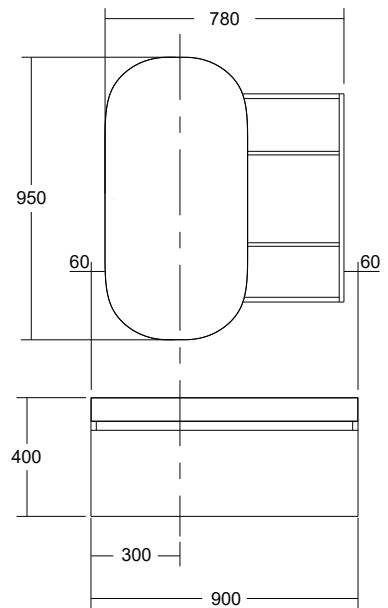
Lussi 480 Mirror Cabinet and Lussi 700 Vanity with side shelf basin



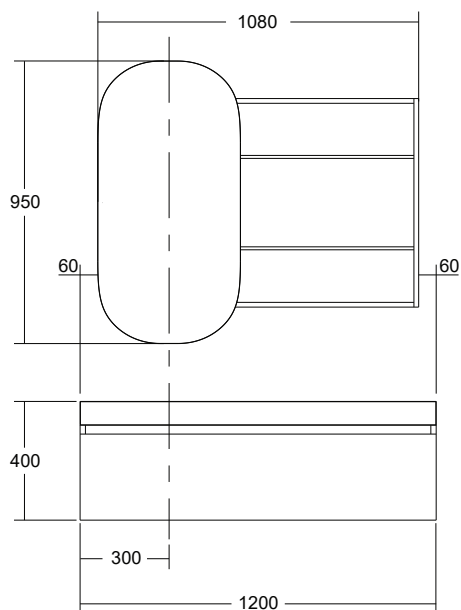
Lussi 480 Mirror Cabinet and Lussi 700 Vanity with Rear Shelf Basin



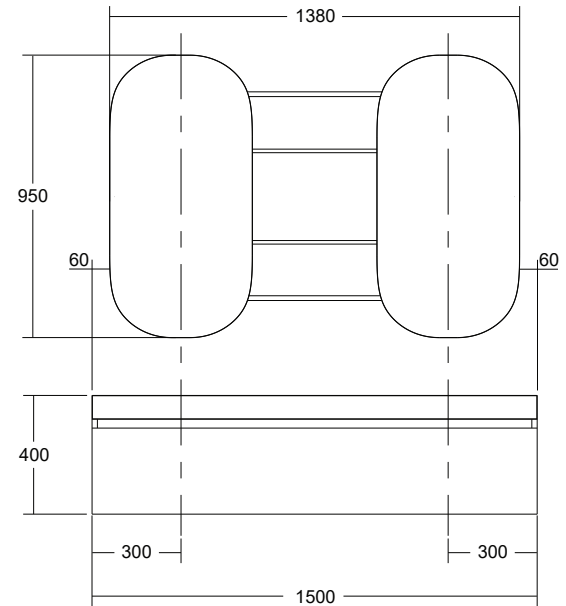
Lussi 780 Mirror Cabinet and Lussi 900 Vanity with rear/side shelf basin



Lussi 1080 Mirror Cabinet and Lussi 1200 Vanity with rear/side shelf basin



Lussi 1380 Mirror Cabinet and Lussi 1500 DBL Vanity with rear/side shelf basin



Dimensions are nominal measurements only.

Disclaimer: Products in this specification manual must by regulation be installed by licensed and registered trade people. The manufacturer/distributor reserves the right to vary specifications or delete models from their range without prior notification. Dimensions are nominal measurements only. Dimensions and set-outs listed are correct at time of publication however the manufacturer/distributor takes no responsibility for printing errors.

Lussi Mirror Cabinet

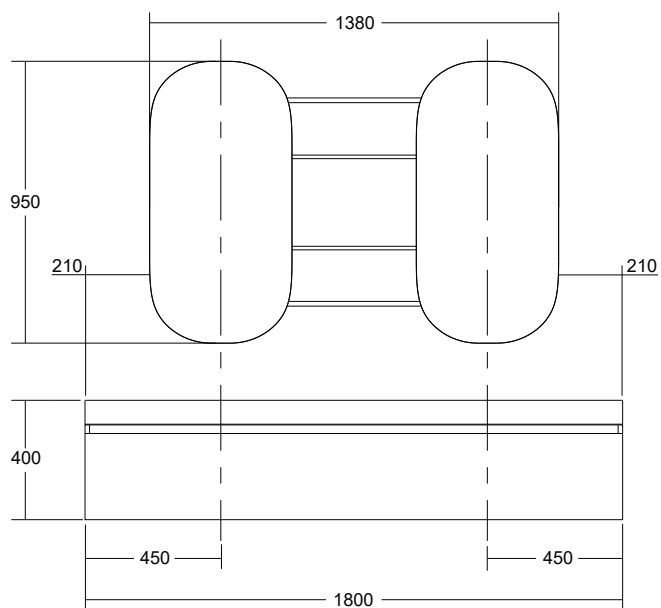
Recommended Lussi Mirror Cabinet & Lussi Vanity Configurations:

* Lussi mirror cabinet sold separately to basin & vanity.

Please note:

- In the below configurations mirrors are centred over basin waste points.
- Drawings of vanities with single left hand bowls are also available with right hand bowls. Reverse details for right hand bowls.

Lussi 1380 Mirror Cabinet and Lussi 1800 DBL Vanity with rear/side shelf basin



Dimensions are nominal measurements only.

Disclaimer: Products in this specification manual must by regulation be installed by licensed and registered trade people. The manufacturer/distributor reserves the right to vary specifications or delete models from their range without prior notification. Dimensions are nominal measurements only. Dimensions and set-outs listed are correct at time of publication however the manufacturer/distributor takes no responsibility for printing errors.

Published 13/04/2023